

MATERIALS AND FINISHES

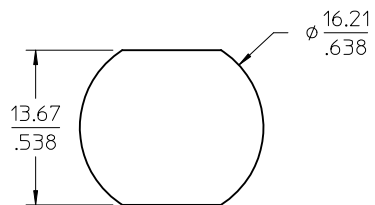
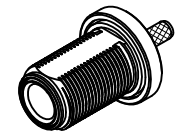
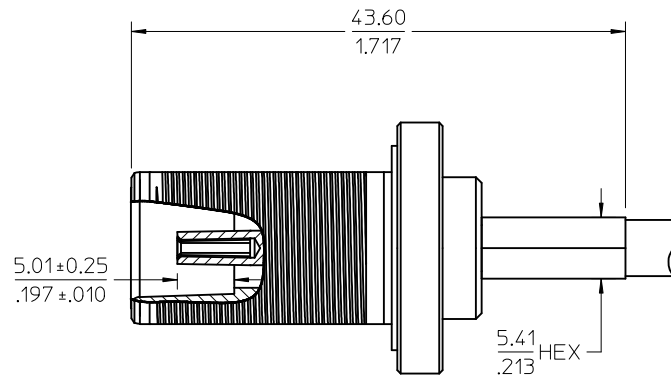
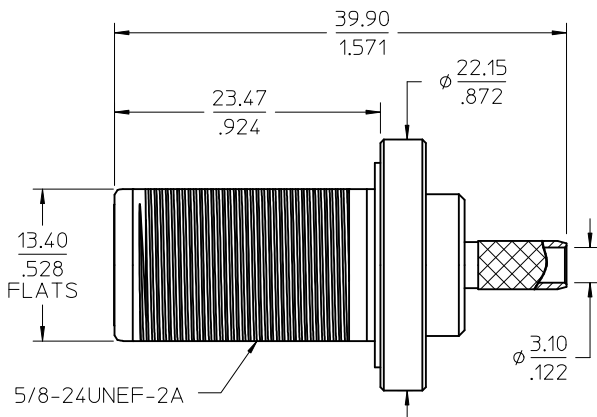
BODY, JAM NUT, CRIMP FERRULE: BRASS PLATED NICKEL

CENTER CONTACT: PHOSPHOR BRONZE PLATED GOLD

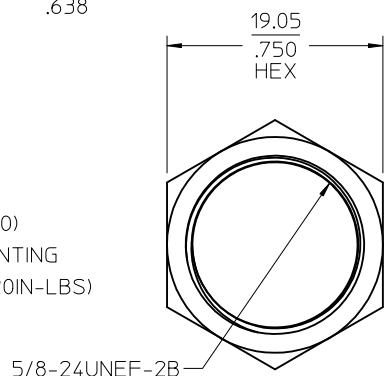
INSULATOR: TEFLON

GASKET: SILICONE RUBBER

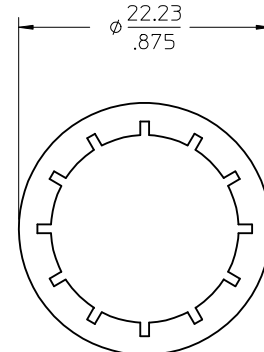
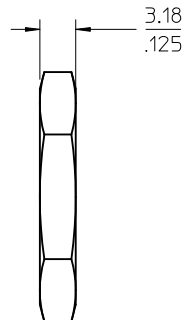
WASHER: PHOSPHOR BRONZE PLATED NICKEL



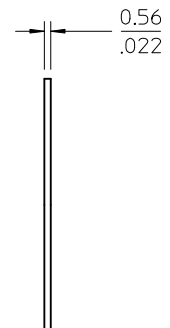
MAX. PANEL THICKNESS: 6.35(.250)
RECOMMENDED MOUNTING TORQUE: 2.26N-M (20IN-LBS)



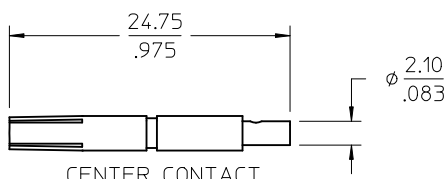
NUT



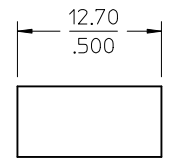
WASHER



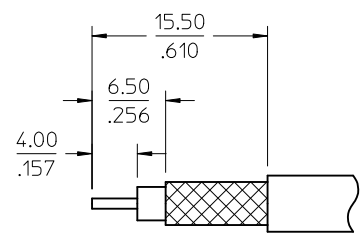
73276-2370	ONE PER BAG
73100-0037	STANDARD
PART NO.	PACKAGING



CENTER CONTACT



FERRULE



CABLE STRIP DIMENSIONS
CENTER CONTACT
CRIMP (HEX: 1.73 (.068))

ES-89675-3220	ELEC/MECH PERFORMANCE
SPECIFICATION	DESCRIPTION

CHG: ADD SINGLE BAG OPTION PS WAS 73598-0033	EC NO: URF2011-0612	2011/04/18	DESCRIPTION
	DRWN:WIENER	2011/04/18	
REV	CHKD:SSS	2011/04/18	
	APPR:WIENER	2011/04/18	
B2			

QUALITY SYMBOLS
▽=0
▽=0

GENERAL TOLERANCES (UNLESS SPECIFIED)	
4 PLACES ±	---
3 PLACES ±	---
2 PLACES ±	---
1 PLACE ±	---
ANGULAR ± 2°	
DRAFT WHERE APPLICABLE MUST REMAIN WITHIN DIMENSIONS	

DIMENSION STYLE	
MM/IN	
DRAWN BY	DATE
JM	2004/12/06
CHECKED BY	DATE
JM	2004/12/06
APPROVED BY	DATE
JDW	2004/12/06
MATERIAL NO.	
SEE TABLE	
SIZE	
THIS DRAWING CONTAINS INFORMATION THAT IS PROPRIETARY TO MOLEX INCORPORATED AND SHOULD NOT BE USED WITHOUT WRITTEN PERMISSION	

SCALE	DESIGN UNITS	THIRD ANGLE PROJECTION
	METRIC	
TITLE		
N JACK, STRAIGHT BULKHEAD FOR RG58, RG141 50 OHMS, N-JC EWR-1357		
MOLEX MOLEX INCORPORATED		
DOCUMENT NO.	SHEET NO.	
SD-73100-0037	1 OF 1	

MATERIALS AND FINISHES

SEE SD-73100-0037

P/N: 73276-2370: THIS IS P/N: 73100-0037 PLACED IN A SINGLE BAG

CHG: NEW RELEASE EC NO: URF2011-0612 DRAWN: JWIENER CHKD: SSS APPR: JWIENER	DESCRIPTION 2011/04/18 2011/04/18 2011/04/18	QUALITY SYMBOLS ▽=0 ▽=0	GENERAL TOLERANCES (UNLESS SPECIFIED)		DIMENSION STYLE MM/IN		SCALE	DESIGN UNITS	THIRD ANGLE PROJECTION	
			mm	INCH	DRAWN BY JWIENER	DATE 2011/04/18	TITLE N JACK BULKHEAD RG58 50 OHMS N-JC EWR-1357			
A	REV		4 PLACES	± ---	± ---	CHECKED BY SSS	DATE 2011/04/18	MOLEX INCORPORATED	DOCUMENT NO. SD-73276-237	SHEET NO. 1 OF 1
			3 PLACES	± ---	± ---	APPROVED BY JWIENER	DATE 2011/04/18			
			2 PLACES	± ---	± ---	MATERIAL NO. SEE TABLE		THIS DRAWING CONTAINS INFORMATION THAT IS PROPRIETARY TO MOLEX INCORPORATED AND SHOULD NOT BE USED WITHOUT WRITTEN PERMISSION		
			1 PLACE	± ---	± ---	SIZE C				
			ANGULAR ± ---°		DRAFT WHERE APPLICABLE MUST REMAIN WITHIN DIMENSIONS					