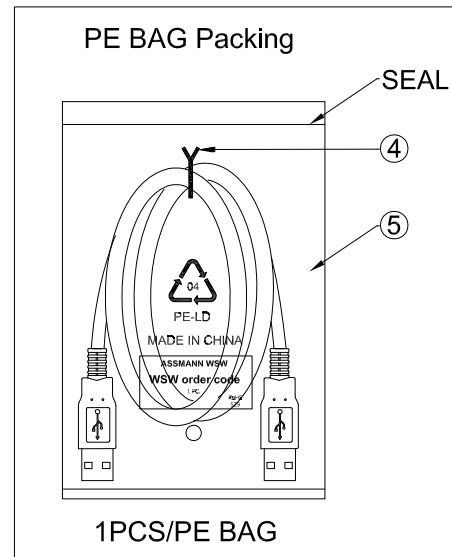
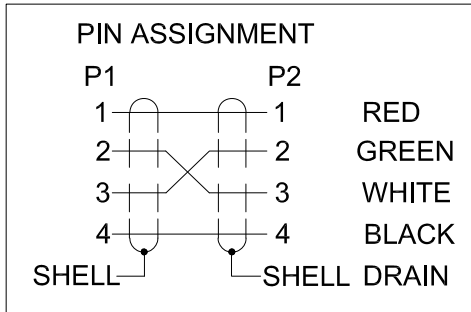


CABLE BLACK PRINT
 HI-SPEED USB Revision 2.0 SHIELDED 28AWG/1P+24AWG/2C
 E189529 AWM STYLE 2725 80°C 30V VW-1



Electrical test:

- 100% short ,open,miswire test
- Conduct resistance: 2Ω max.
- Insulation resistance:
 AK670/2-1&AK670/2-2: 5MΩ min.
 AK670/2-3&AK670/2-5: 10MΩ min.
- Dielectric test: DC 300V

No.	NAME	QTY	DESCRIPTION
⑤	PE BAG	1	Clear Print Black"MADE IN CHINA"+"1PC."
④	TIE	1	White
③	OUT JACKET	12g	Beige(IV-29#) PVC-40P
②	CABLE	1	Beige(IV-29#) USB2.0 UL2725 28#/1P+24#/2C+AEB OD:4.7mm
①	CONN	2	USB 2.0 A MALE Nickel PIN G/F 3PCS TYPE Insulator color:White

WSW order code	Cable length	PE BAG SIZE
AK670/2-1	1000±30mm	100*200*0.05mm
AK670/2-2	2000±50mm	130*230*0.05mm
AK670/2-3	3000±50mm	130*230*0.05mm
AK670/2-5	5000±50mm	150*280*0.05mm

RoHS compliant
 Unit: mm

Scale	FREE						Date	Name	Customer-No.
TOLERANCE						Drawn	24.10.2014	Amy	ASSMANN WSW-No. AK670/2-x
						Approved	24.10.2014	Amy	
DIM	TOL								Drawing-No.
Angle	TOL	Id.	Modification	Date	Name				rev00
						Replace	Sheet		

1

2

3

4

5

6

7