

DC4R - SERIES

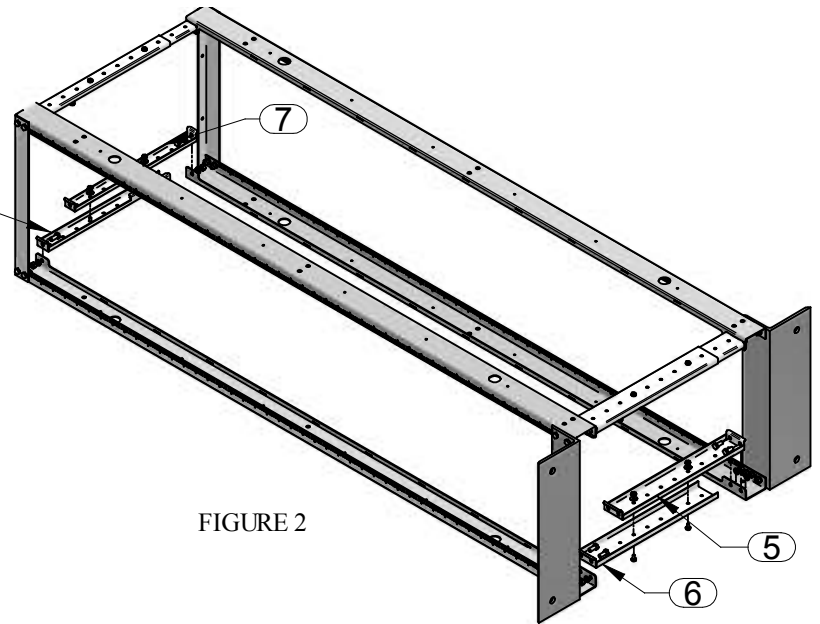
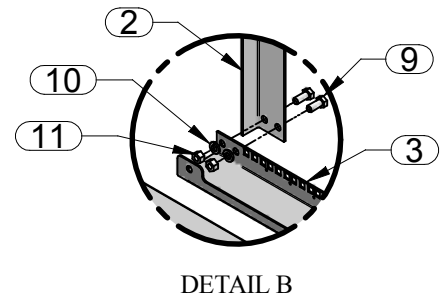
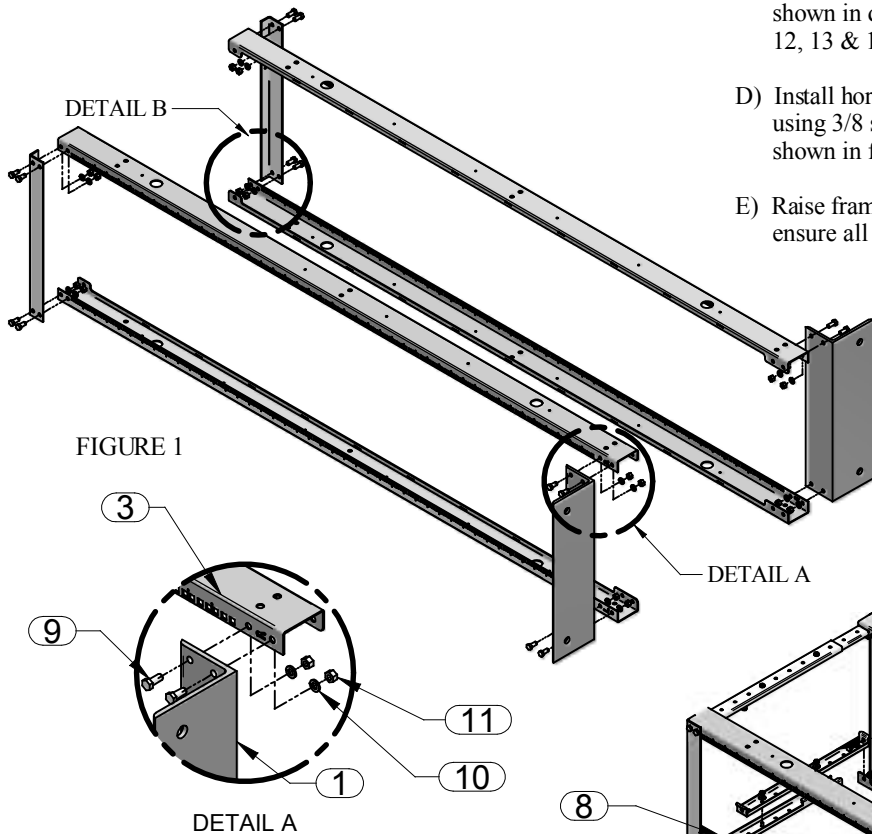
ASSEMBLY INSTRUCTIONS FOR 4 POST RELAY RACK

BUL10328
REV. C
PAGE 1 OF 2

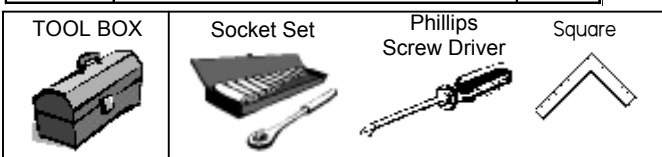
DC4R44 / 24 - ADJ FROM 24" TO 36" DEPTHS.
DC4R4448 / 2448 - ADJ FROM 32" TO 48" DEPTHS.

ASSEMBLY INSTRUCTIONS:

- Begin building each end frame by laying rails (items 3 & 4) on the floor.
- Bolt base and top angle (item 1 & 2) to rails using 3/8 screws, washers, and nuts (items 9, 10 & 11) provided as shown in Details A & B. (Ensure rails are square with top & bottom channels before tightening)
- Determine depth required for frame. Pre-assemble top and bottom brackets shown in detail E (page 2) using 1/4-20 screws, washers, and nuts (items 12, 13 & 14) provided. NOTE: minimum depths only require 1 bracket.
- Install horizontal depth brackets while frame is still lying on the floor using 3/8 screws, washers, and nuts (items 9, 10 & 11) provided. This is shown in figure 2 as well as details C and D.
- Raise frame in the upright position, check for squareness once more and ensure all hardware is fastened securely.



PARTS LIST		
ITEM No.	DESCRIPTION	QTY
1	BASE ANGLE	2
2	TOP ANGLE	2
3	RH VERTICAL CHANNEL	2
4	LH VERTICAL CHANNEL	2
5	BOTTOM INNER BRACKET	2
6	BOTTOM OUTER BRACKET	2
7	TOP INNER BRACKET	2
8	TOP OUTER BRACKET	2
9	3/8-16 X 7/8 CAP SCREW	28
10	3/8 LOCK WASHER	28
11	3/8-16 HEX NUT	28
12	1/4-20 X 1/2 SCREW	8
13	1/4 FLAT WASHER	8
14	1/4-20 KEP NUT	8
15	10-32 SCREWS/WASHER COMBO	50
16	10-32 CAGE NUTS	50



DC4R - SERIES

ASSEMBLY INSTRUCTIONS FOR 4 POST RELAY RACK

BUL10328
REV. C
PAGE 2 OF 2

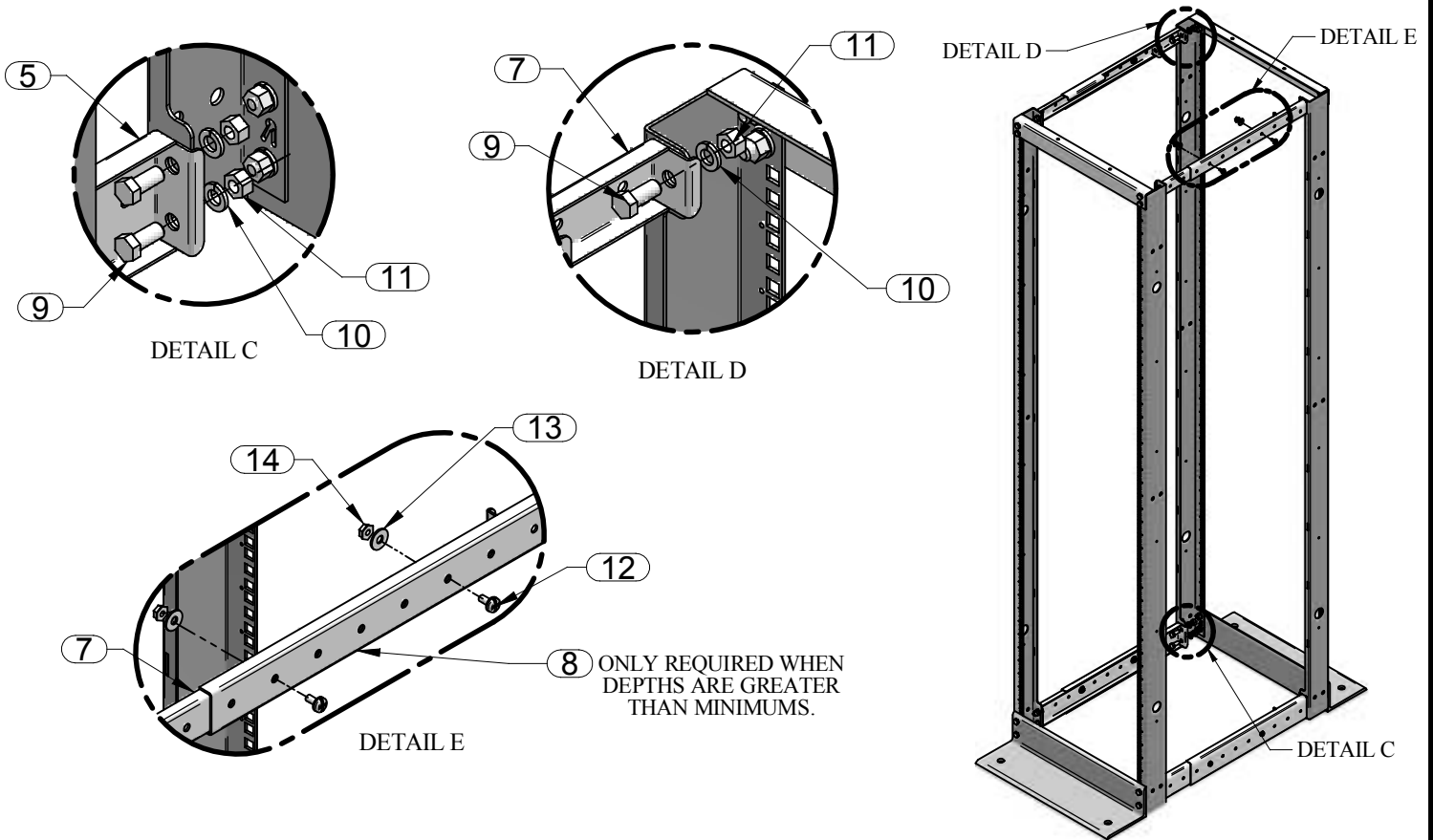
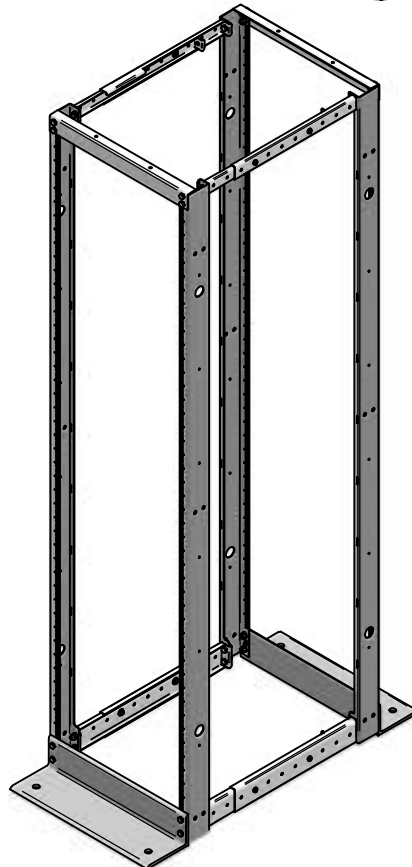
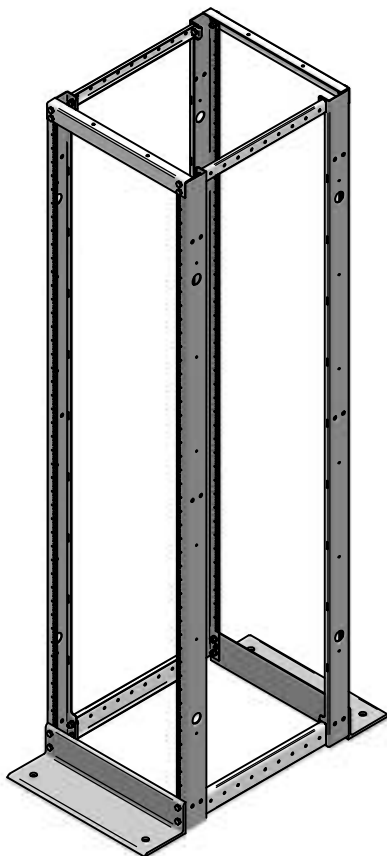


FIGURE 3



DC4R__ - MIN DEPTH OF 24" ONLY REQUIRES 1 BRKT.
DC4R_48 - MIN DEPTH OF 32" ONLY REQUIRES 1 BRKT.

DC4R__ - ADJUSTABLE DEPTHS OF 26" TO 36" REQUIRES 2 BRKTS.
DC4R_48 - ADJUSTABLE DEPTHS OF 34" TO 48" REQUIRES 2 BRKTS.

