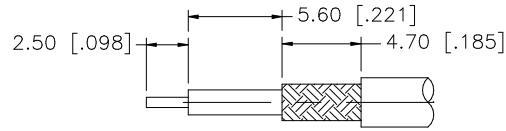
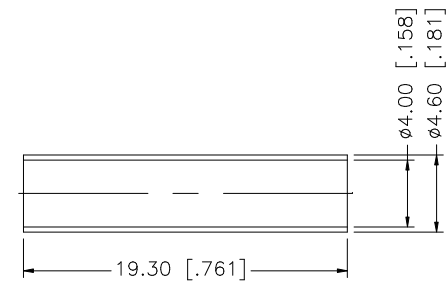
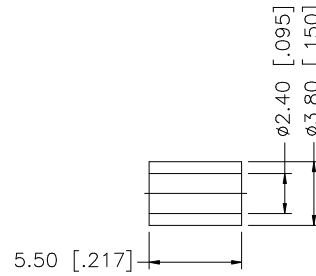
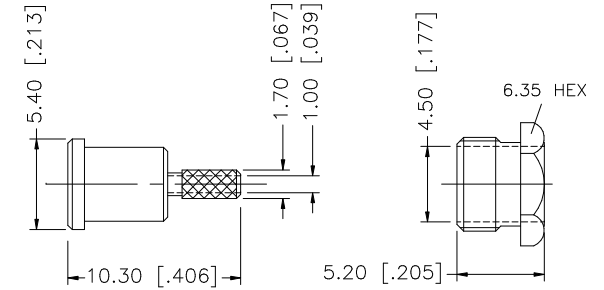
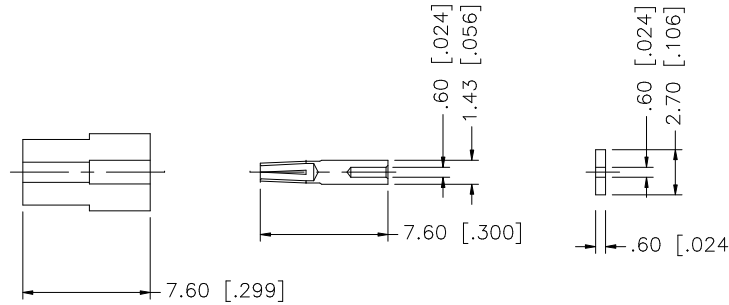
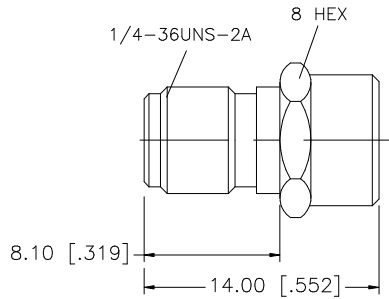


REV.	DATE	DESCRIPTION
A	05/10/01	MODIFY INSULATOR/CONTACT PIN DIMENSIONS
B	01/30/04	UPDATE DRAWING FORMAT



RECOMMENDED
CABLE STRIPPING DIM'S



NOTE:

1. CRIMPED FERRULE
HEX CRIMP SIZE .128"
2. CONTACT PIN TO SOLDER

DESCRIPTION	MATERIAL	FINISH	QTY	DO NOT SCALE DRAWING	CAD FILE	DWG. NO.	REV.	SIZE	SCALE
8	HEAT SHRINK TUBE		1		C:/132/132279.DWG	132279.DWG	B	A	NA
7	FERRULE	COPPER	GOLD	1					
6	HEX NUT	BRASS	GOLD	1					
5	BARREL	BRASS	GOLD	1					
4	INSULATOR	TEFLON	NATURAL	1					
3	CONTACT PIN	BER. COPPER	GOLD	1					
2	INSULATOR	TEFLON	NATURAL	1					
1	BODY	BRASS	GOLD	1					

UNLESS OTHERWISE SPECIFIED DIMENSIONS ARE IN MILLIMETERS. DIMENSIONS IN [] ARE IN INCHES AND FOR CUSTOMER REFERENCE ONLY.

UNLESS OTHERWISE SPECIFIED TOLERANCES FOR MILLIMETERS ARE:
0.5 - 8mm ± 0.20mm
8 - 30mm ± 0.40mm
30 - 120mm ± 0.50mm

UNLESS OTHERWISE SPECIFIED TOLERANCES FOR INCHES ARE:
.020 - .315 = ± 0.007"
.315 - 1.180 = ± 0.015"
1.180 - 4.724 = ± 0.020"

APPROVALS	DATE
DRAWN G.R.S.	01/30/04
CHECKED	
ISSUED	
SHEET 1 OF 1	

Amphenol Connex

PART DESCRIPTION
SMA CRIMP JACK
(FOR RG-178B/U, 196A/U CABLE)

PART NO. 132279