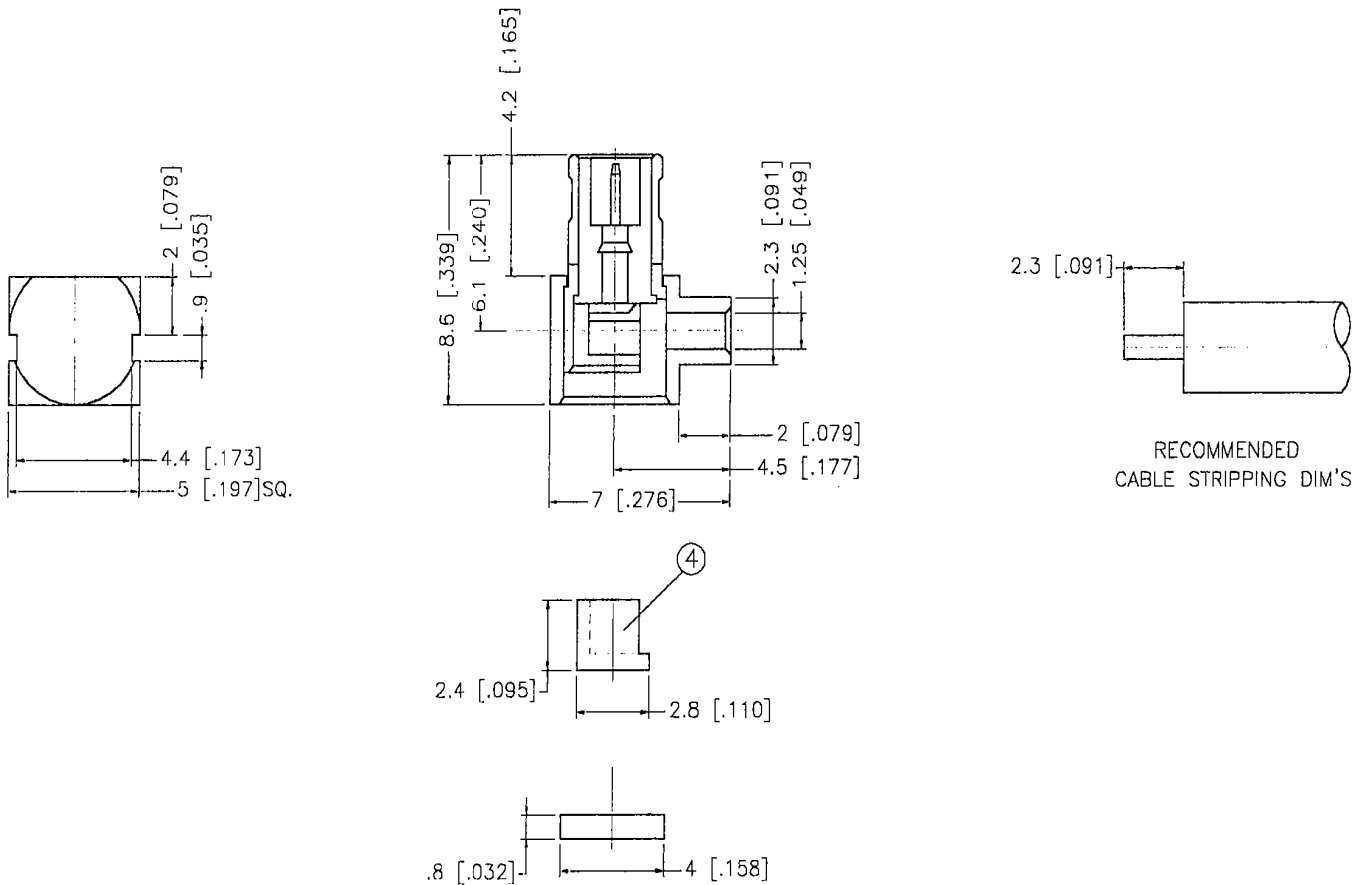



REV.	DATE	DESCRIPTION
NC	12/17/98	INITIAL RELEASE



DESCRIPTION	MATERIAL	FINISH	UNLESS OTHERWISE SPECIFIED DIMENSIONS ARE IN MILLIMETERS	APPROVALS	DATE							
1 HOUSING	BRASS	GOLD	DIMENSIONS IN [ ] ARE IN INCHES FOR CUSTOMER REFERENCE ONLY	DRAWN	G.R.S.					12/17/98	TITLE MCX R/A DIRECT SOLDER PLUG (FOR .047" SEMI RIGID CABLE)	
2 BODY	BER. COPPER	GOLD		CHECKED								
3 INSULATOR	TEFLON	NATURAL	UNLESS OTHERWISE SPECIFIED TOLERANCES FOR MILLIMETERS ARE: 0.5-6 = ± 0.2 6-30 = ± 0.4 30-120 = ± 0.6 120-315 = ± 1 315-1000 = ± 1.6 1000-2000 = ± 2.4	ISSUED			SIZE	FSCM NO.	DWG. NO.	REV.		
4 CONTACT PIN	BRASS	GOLD					A	99001	252158.DWG	NC		
5 INSULATOR	DELTRIN	NATURAL										
6 COVER	BRASS	GOLD										
7												
8			DO NOT SCALE DRAWING				SCALE	NA	PART NO.	252158	SHEET	1 OF 1