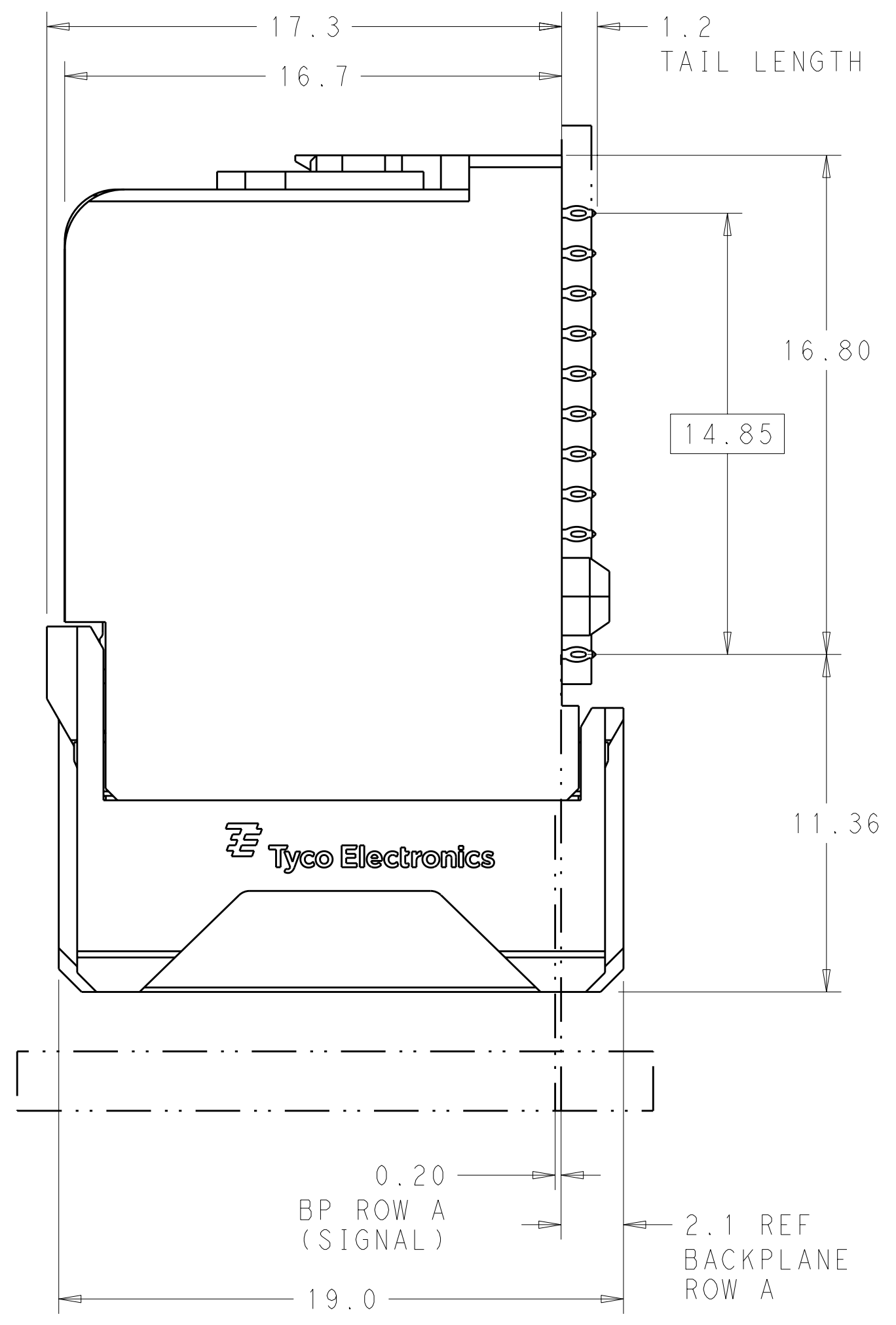
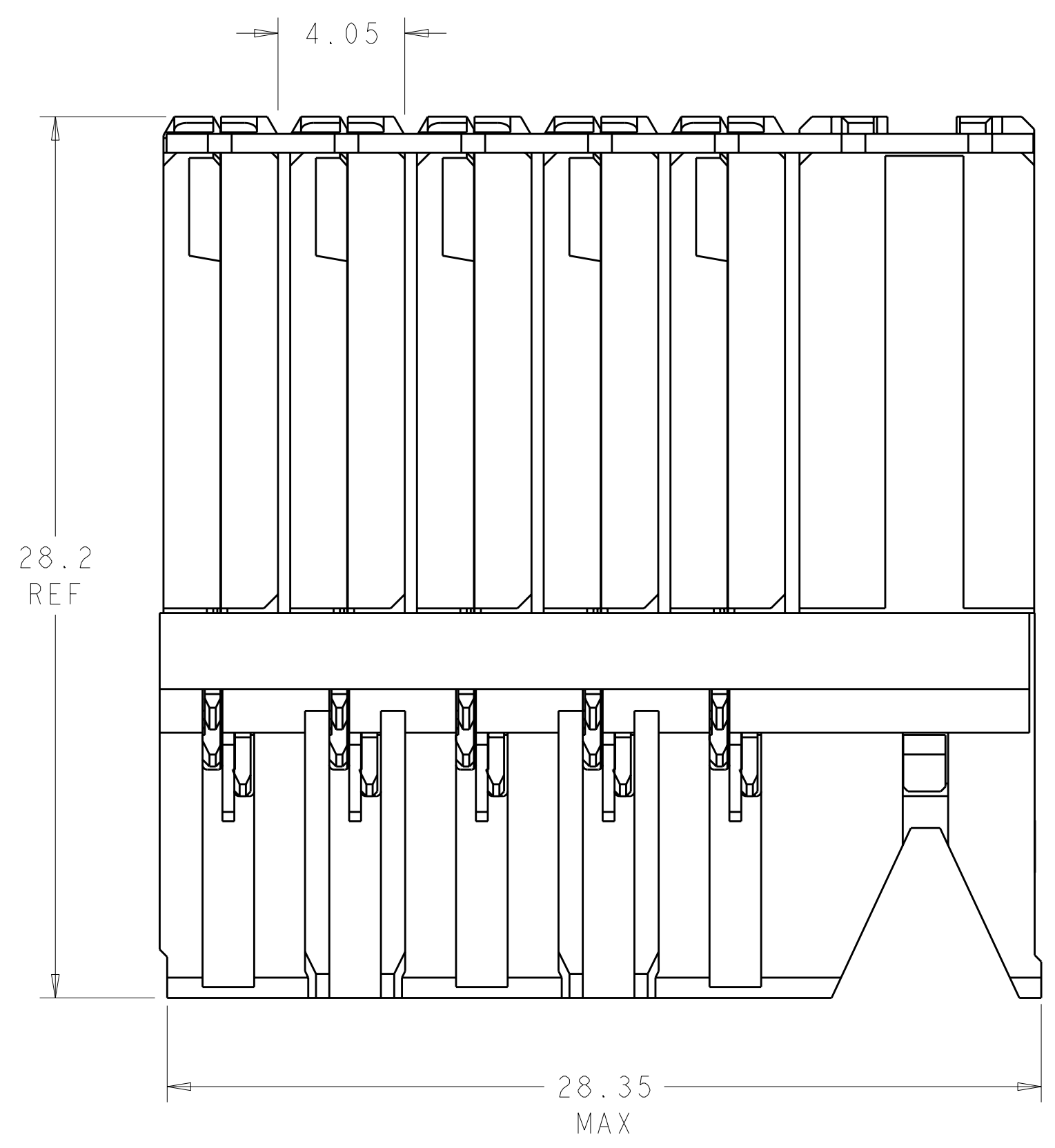
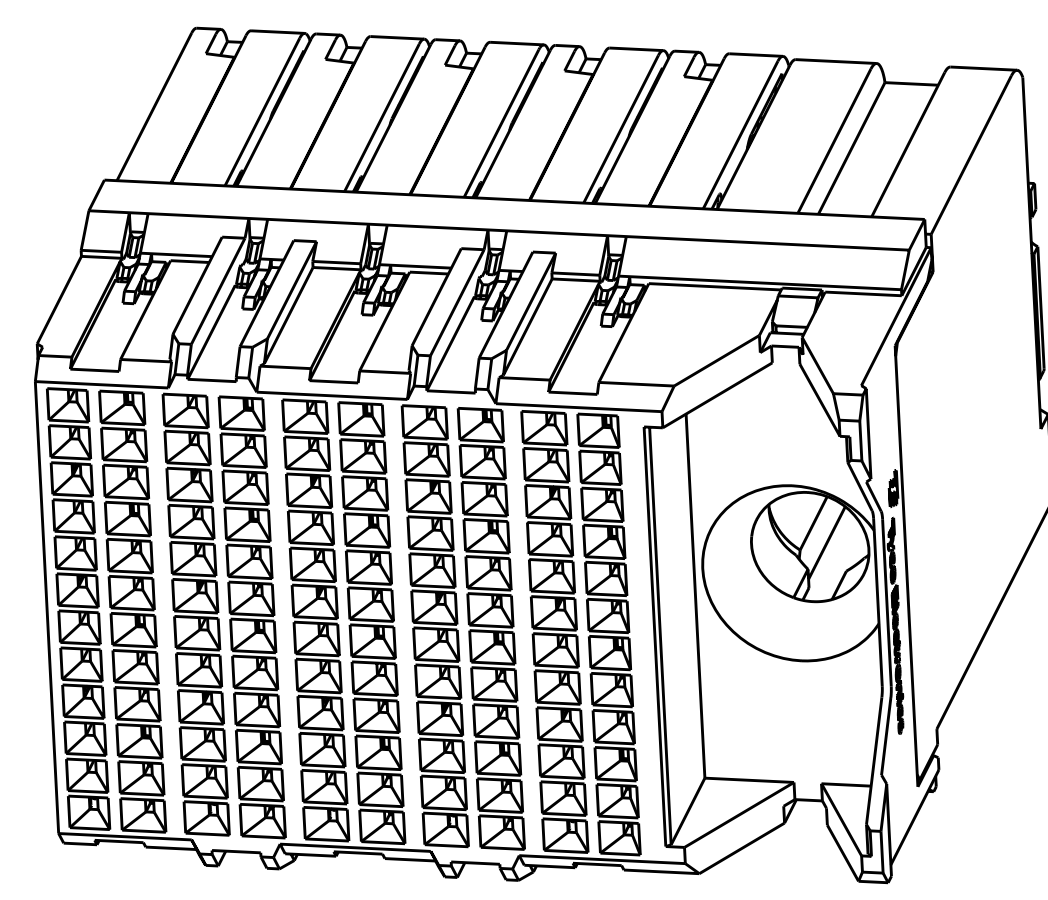


LOC	DIST	REV	DATE	BY	APPD
AD	00	B	18JAN2012	KH	DD

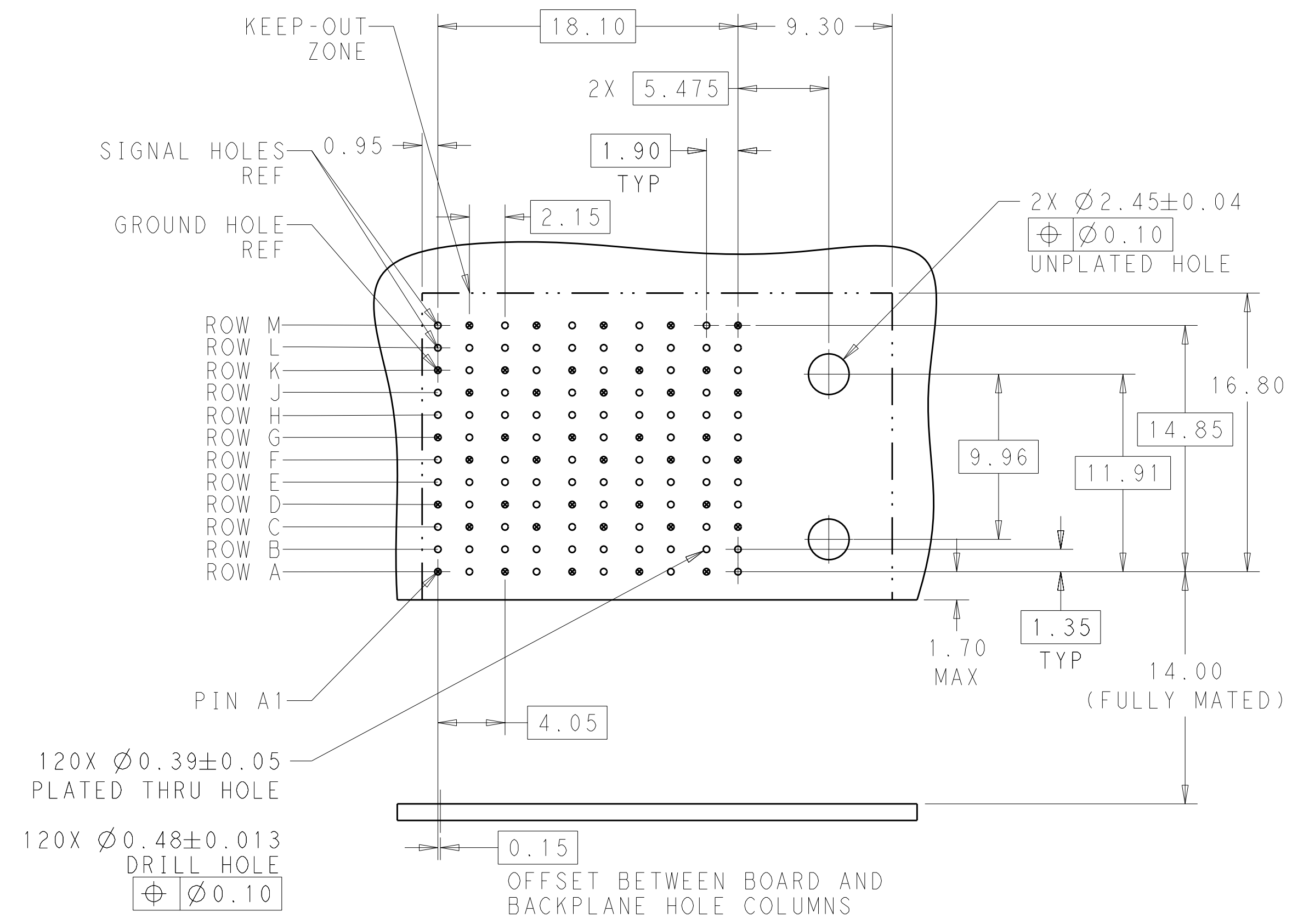
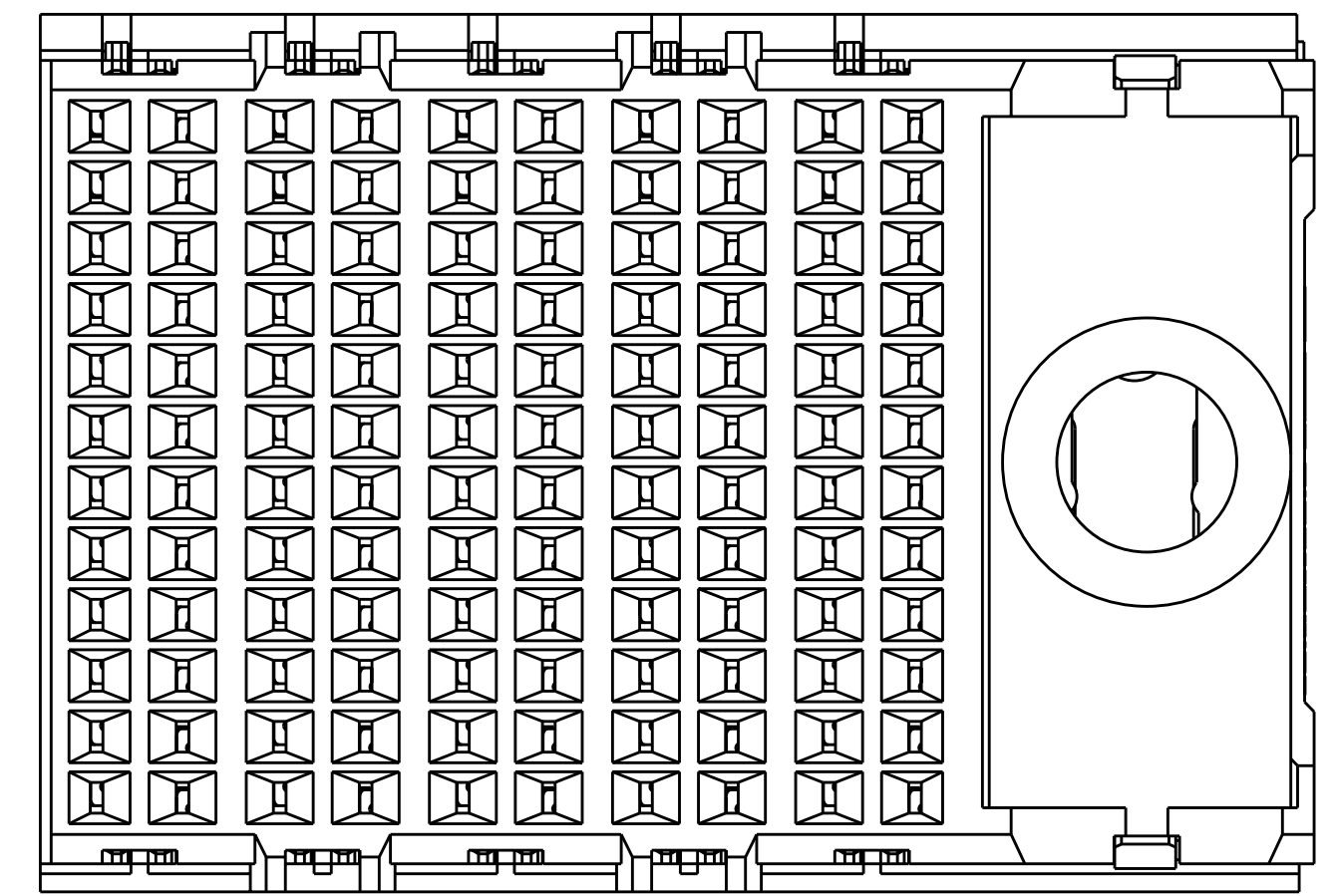


- 1 MATERIAL:  
HOUSING: LCP, GLASS FILLED, UL94V-0.  
TERMINALS: HIGH PERFORMANCE COPPER ALLOY.
- 2 FINISH:  
30μ" SELECTIVE GOLD IN CONTACT AREA. SELECTIVE TIN ON PCB TAILS, NICKEL OVERALL.
- 3 FINISH:  
30μ" SELECTIVE GOLD IN CONTACT AREA. SELECTIVE TIN-LEAD ON PCB TAILS, NICKEL OVERALL.
- 4. CONNECTORS SUPPLIED WITH MOUNTING SCREWS.



SCALE 4:1

REFER TO WWW.TE.COM FOR PRODUCT AVAILABILITY



120X Ø0.39±0.05 PLATED THRU HOLE  
120X Ø0.48±0.013 DRILL HOLE  
Ø0.10

RECOMMENDED PCB LAYOUT  
MIN BOARD THICKNESS 1.0

KEY POSITION	FINISH	PART NUMBER
NONE	3	2132468-5
NONE	2	2132468-1

THIS DRAWING IS A CONTROLLED DOCUMENT.		DWN 22JUN2011	TE Connectivity	
DIMENSIONS: mm		CHK D. DIXON 22JUN2011	NAME IMPACT, ORTHOGONAL, 4 PAIR, DAUGHTERCARD, 10 COLUMN, RIGHT GUIDED, SIGNAL MODULE, 0.39 EYELET	
TOLERANCES UNLESS OTHERWISE SPECIFIED:		APPD D. DIXON 22JUN2011	PRODUCT SPEC	
9 PLC ±		APPLICATION SPEC		
1 PLC ±0.25		SIZE CAGE CODE DRAWING NO RESTRICTED TO		
3 PLC ±0.15		A100779C=2132468		
5 PLC ±		WEIGHT		
4 PLC ±		CUSTOMER DRAWING		
ANGLES ±		SCALE 6:1 SHEET 1 OF 1 REV B		
FINISH SEE TABLE				