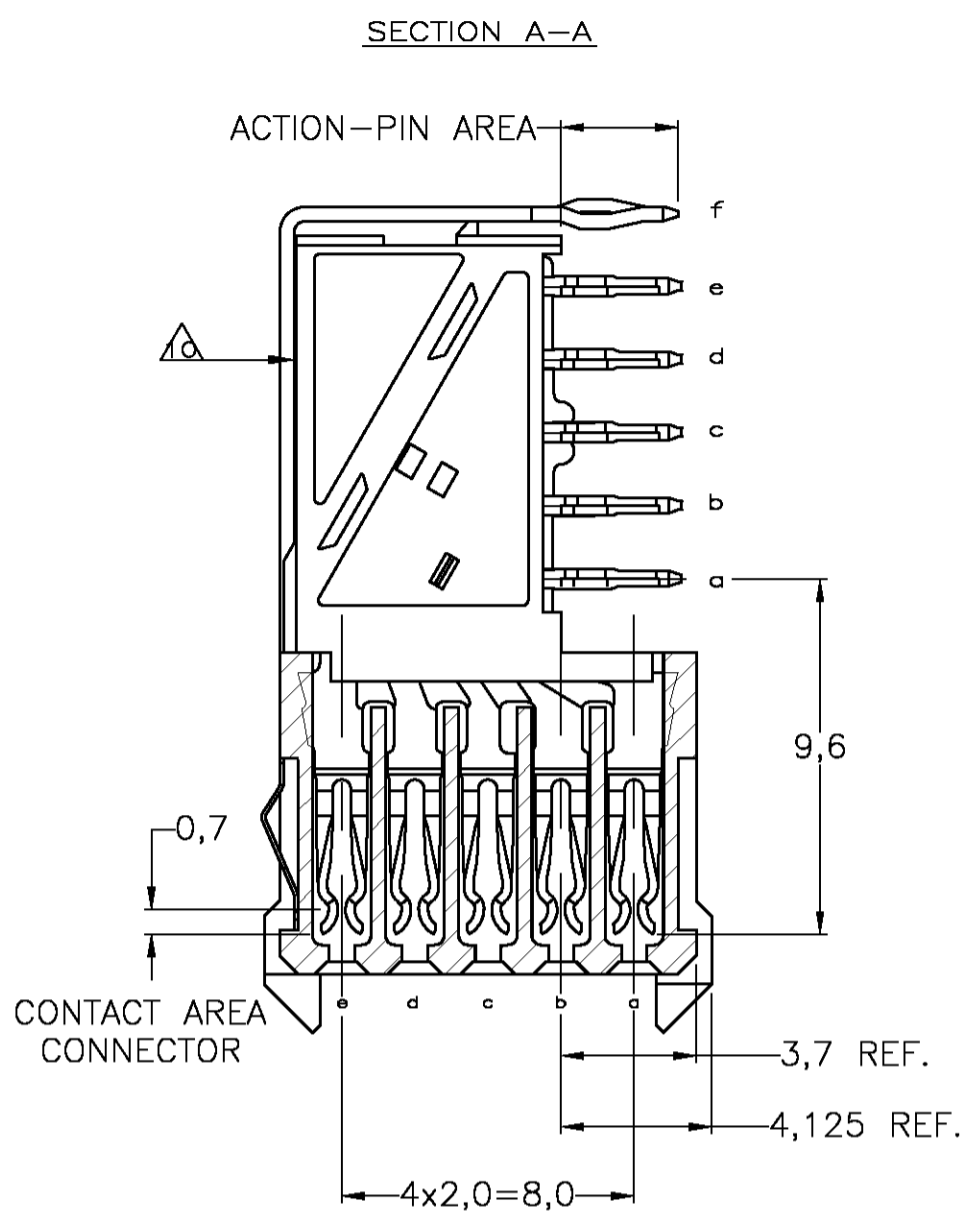
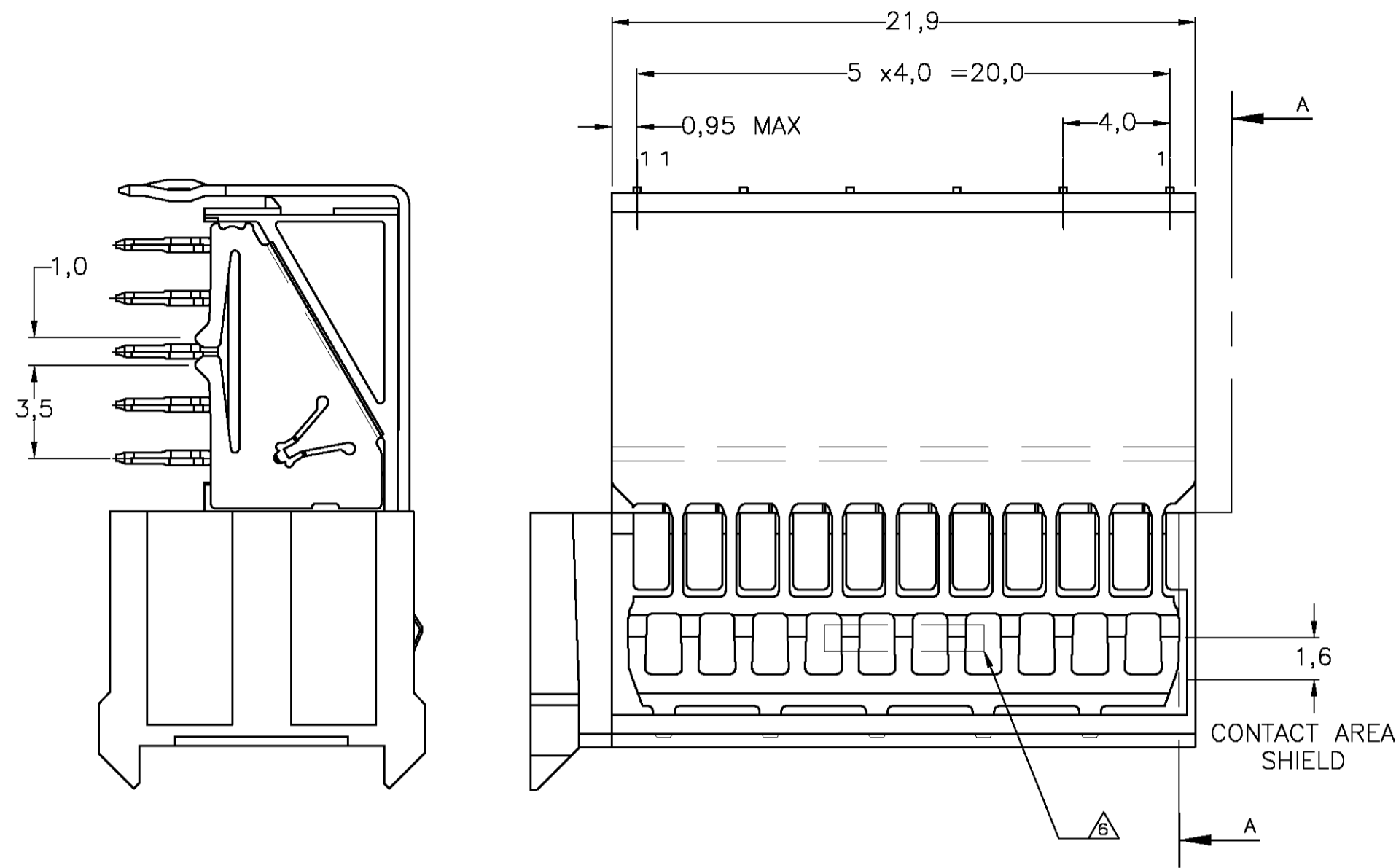
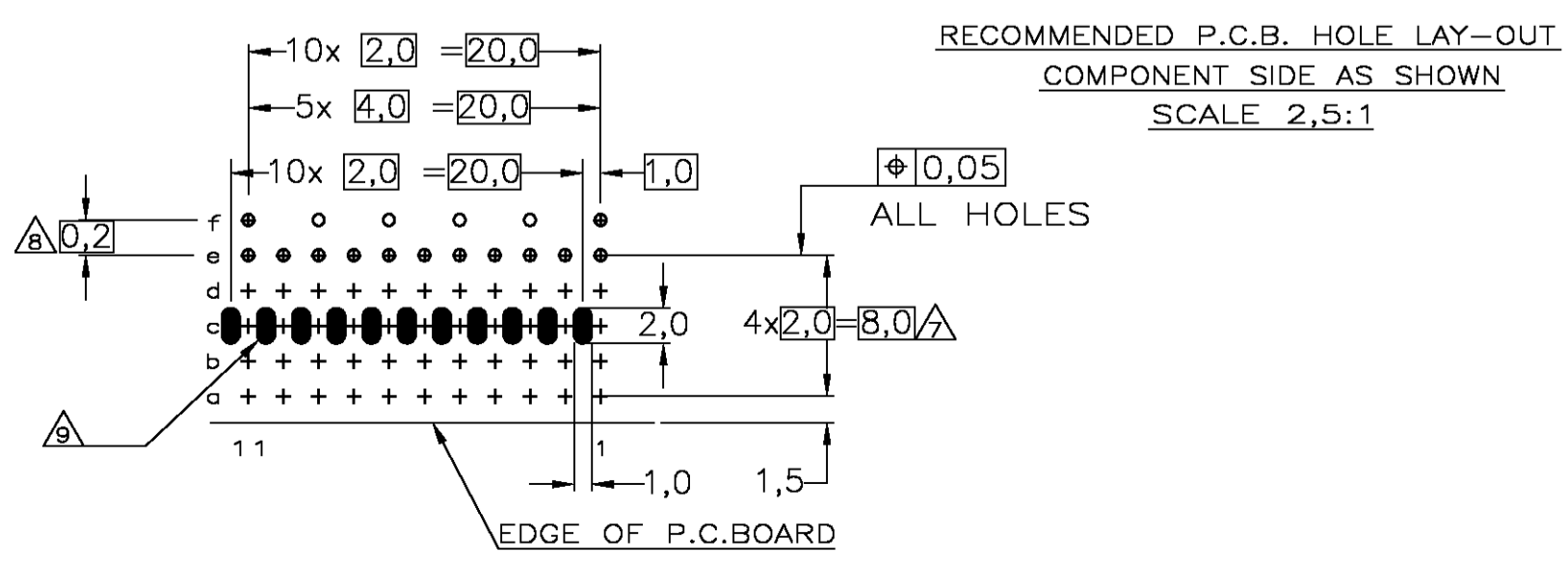
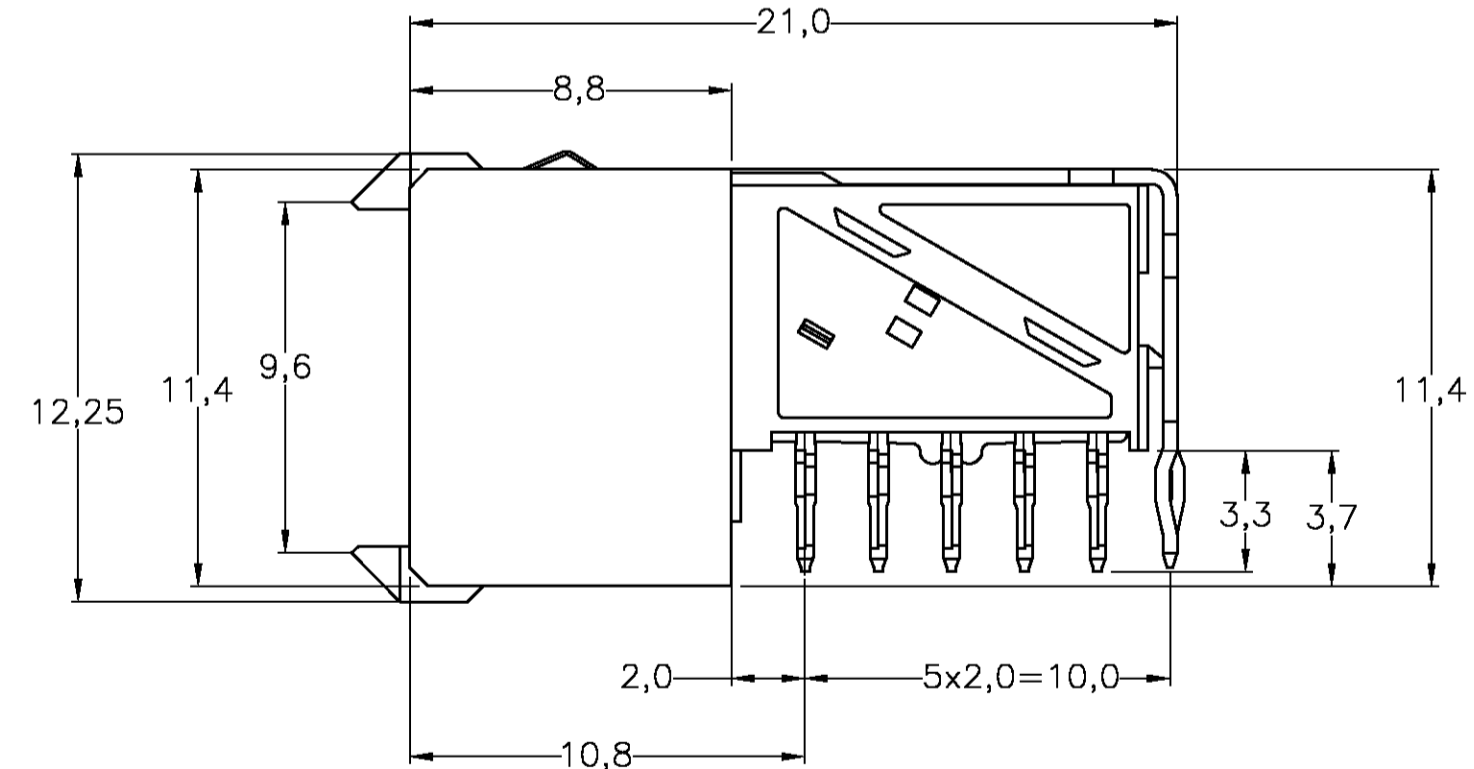
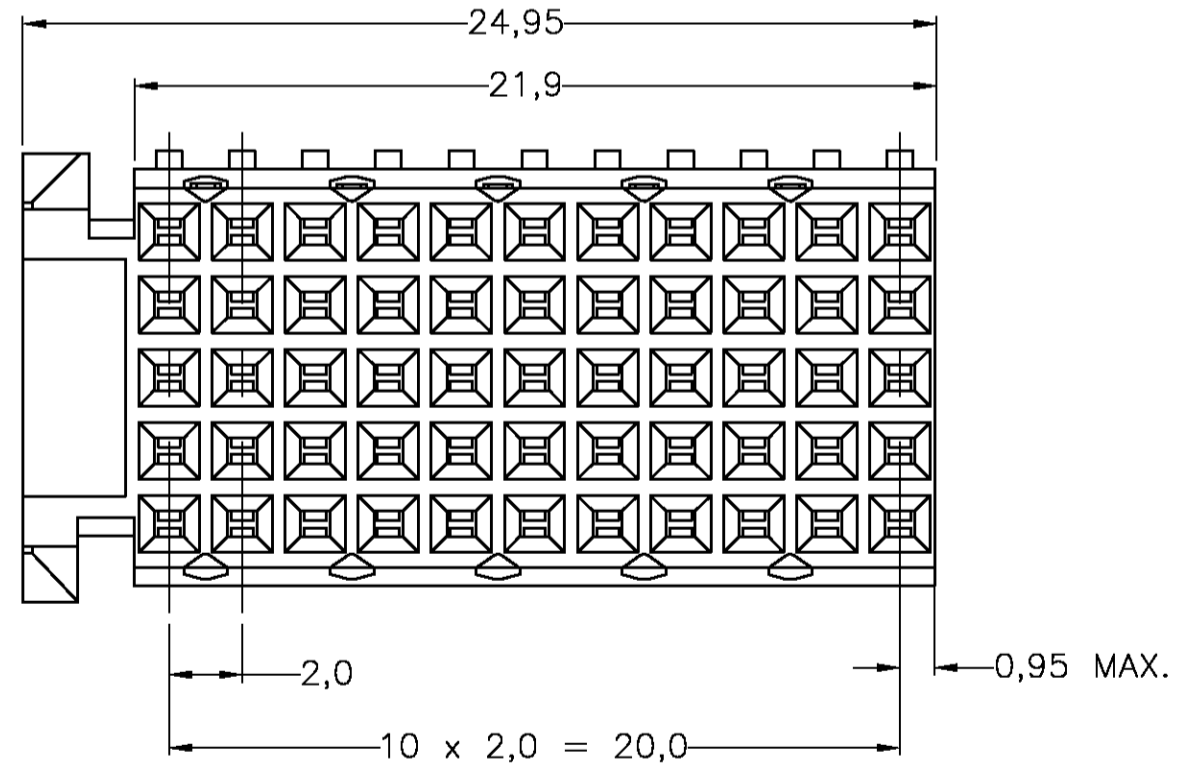


THIS DRAWING IS UNPUBLISHED. RELEASED FOR PUBLICATION  
 © COPYRIGHT BY TYCO ELECTRONICS CORPORATION. ALL RIGHTS RESERVED.

LOC	DIST	REVISIONS					
		P	LTR	DESCRIPTION	DATE	DWN	APVD
H	-	E2		ECR-07-030919	21DEC2007	JvH	BM



- NOTES:**
- 1 MATERIAL CONTACTS; PHOSPHORBRONZE  
MATERIAL SHIELDS ; PHOSPHORBRONZE  
MATERIAL HOUSING; GLASSFILLED POLYESTER (GRAY)
  - 2 GENERAL CONTACT PLATING SPECIFICATION:  
UNDERPLATING (ENTIRE CONTACT): 1,27µm NICKEL MIN.  
AND ACTION PIN: 0,5µm TIN-LEAD MIN. FOR PLATING OF MATING  
SURFACES SEE APPLICABLE SPECIFICATION REFERENCE FOR  
EACH DASH NUMBER.
  - 3 CONFORMS TO ALL TESTING ACCORDING IEC 61076-4-101  
PERFORMANCE LEVEL 2.
  - 4 CONFORMS TO ALL TESTING ACCORDING IEC 61076-4-101  
PERFORMANCE LEVEL 1.
  - 5 PLATING SHIELDS:  
GROUND RETURN SHIELD :  
CONTACT AREA: 0,76µm Au MIN.  
ACTION PIN : 0,5µm SnPb MIN.  
REMAINDER :Ni  
REDUCED CROSS-TALK SHIELD: GOLD FLASH OVER 1,27 µm NICKEL MIN.
  - 6 ASSEMBLY PRINTED WITH P/N AND DATECODE  
THE MARKING CAN APPEAR ON THE FRONT SIDE OR ON THE BACK SIDE.
  - 7 HOLE PATTERN FOR FEMALE CONNECTOR TYPE C  
55 PLATED-THROUGH HOLES AT 2x2mm SQUARE GRID
  - 8 ROW "f" 6 PLATED THROUGH HOLES FOR UPSHIELD
  - 9 PLATED SPOT ONLY ON COMPONENT SIDE.  
FORMING ONE CONTACT WITH PLATED  
THROUGH HOLES OF ROW C.
  - 10 SHIELD MOUNTED ON CONNECTOR WITH DOUBLE SIDED  
ADHESIVE TAPE OR ADHESIVE
  - 11 FITS WITH LOWERSHIELD, BASIC PARTNUMBER : 352112.



P.C.B. HOLE DIM. ACTION PIN  
 FOR DETAILS SEE  
 APPLICATION SPECIFICATION

THIS DRAWING IS A CONTROLLED DOCUMENT.

DIMENSIONS: mm	TOLERANCES UNLESS OTHERWISE SPECIFIED:	DWN R.V.HEUVEN 25FEB98	25FEB98	Tyco Electronics Corporation 's-Hertogenbosch, Nederland
		CHK W. V.D. HEIJDEN	23NOV99	
		APVD E.v. KONINGSBRUGGE.	108-19082	NAME Z-PACK 2MM HM
			114-19029	TYPE C PRE-SHIELDED RECEPTACLE WITH RED.CROSS-TALK SHIELDS
MATERIAL	FINISH	WEIGHT	RESTRICTED TO	SIZE A2
			RESTRICTED CUSTOMER	CAGE CODE 00779
				DRAWING NO C=352346
				RESTRICTED TO
				SCALE NTS
				SHEET 1 OF 1
				REV E2