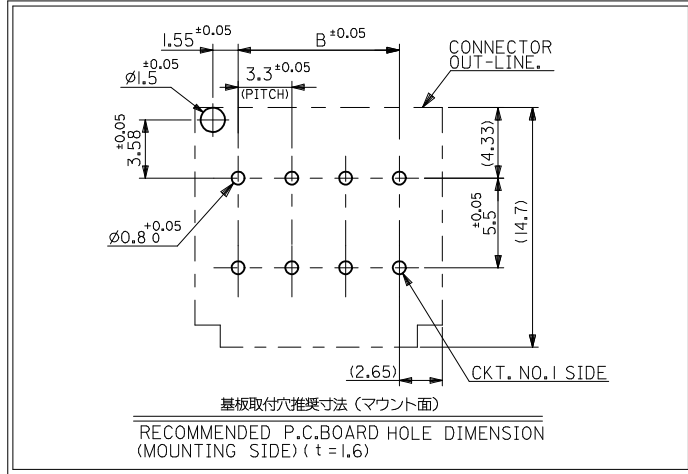
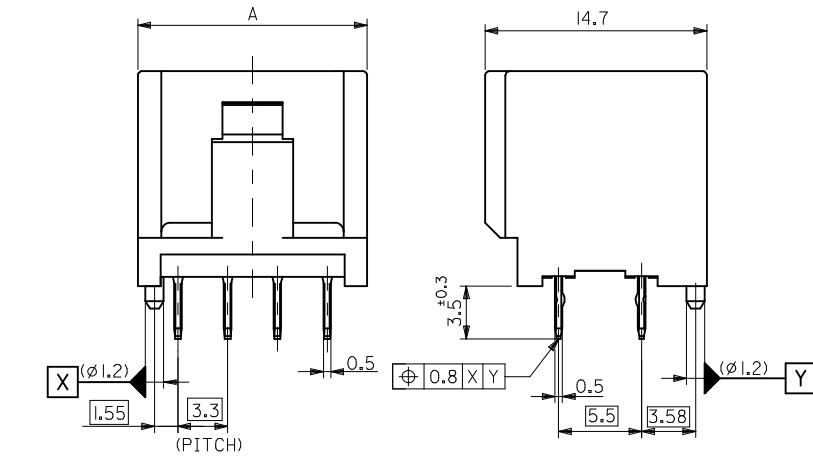
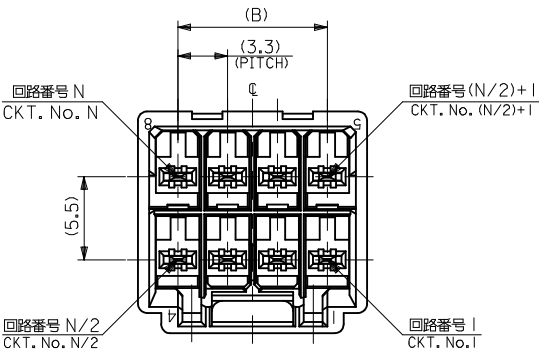
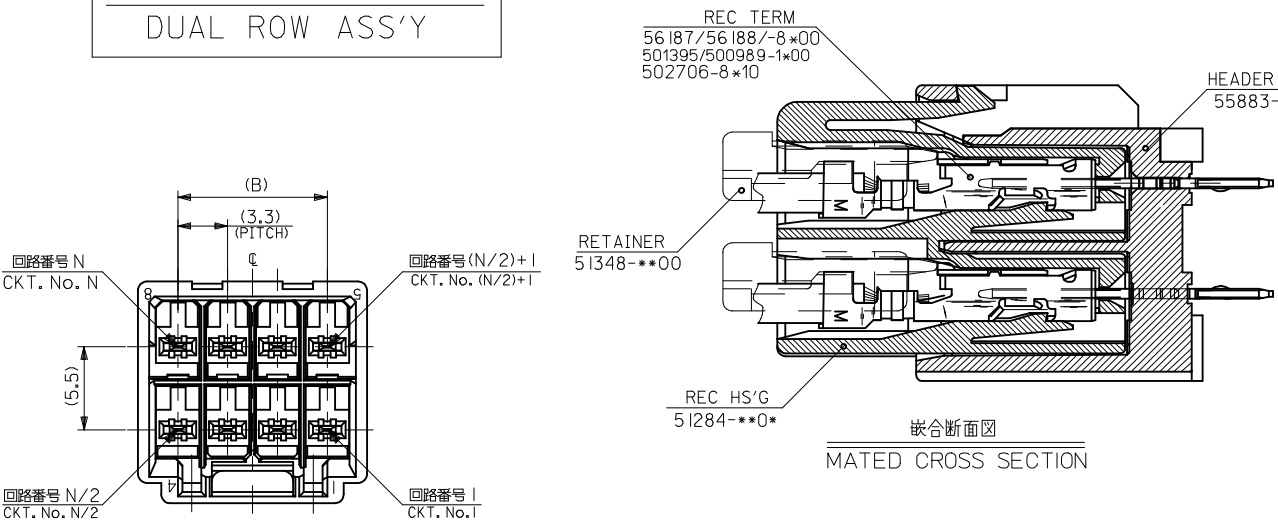


本図は2列品を示す  
DUAL ROW ASS'Y

注記  
NOTES

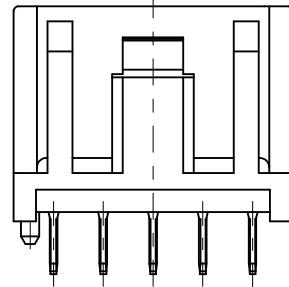
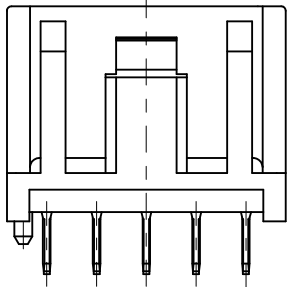
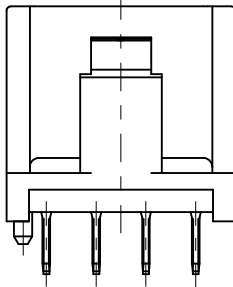
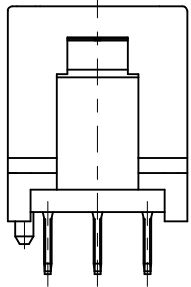
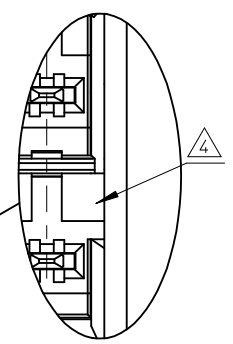
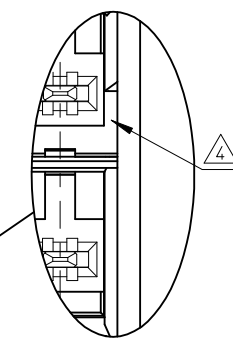
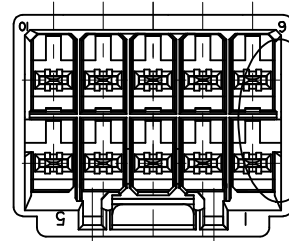
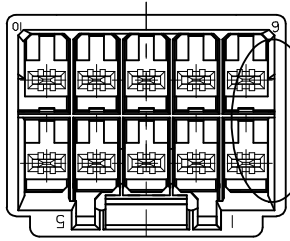
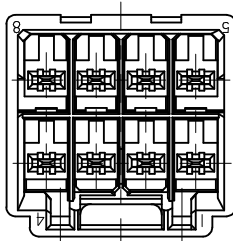
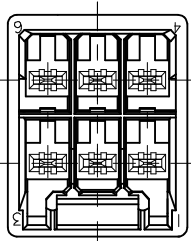
- 材料  
MATERIAL : 黄銅, ニッケル下地鍍メッキ  
PIN : BRASS, TIN OVER NICKEL PLATED  
ヘッダー  
HEADER : ポリアミド (PA), ガラス充填, UL94V-0  
MATE WITH : 51284-\*\*\*0
- 嵌合相手  
MATE WITH : 51284-\*\*\*0
- ソルダーテールキンは、両端のピンのみとする。  
KINK TO BE APPLIED FOR 4 PINS AT BOTH ENDS.
- 極性用溝  
PALARIZING KEY
- ELV及びRoHS 適合品  
ELV AND RoHS COMPLIANT



LOCK SIDE	BLACK	13.2	18.5	55883-1091	10		
	NATURAL (IVORY)			-1090			
	OPPOSITE SIDE OF LOCK	RED	9.9	15.2		-0892	8
		NATURAL (IVORY)				-0890	
MATING KEY POSITION (SEE SHEET 2 OF 3)	COLOR	B	A	-0690	6		
				TRAY PACKAGE オーダー番号 ORDER NO.		極数 CIRCUITS	

REVISED EC NO: J2010-0432 DRW: NYOSHIKAWA 2009/09/11 CHK: K. ASAKAWA 2009/09/14 APPR: NUKITA 2009/09/15	GENERAL TOLERANCES (UNLESS SPECIFIED)	DIMENSION STYLE MM ONLY	SCALE ---	CONNECTOR SERIES No. 55883-***9*
	10 UNDER ±0.2	DRAWN BY J. KUGOU	DATE '04/02/12	DESIGN UNITS METRIC
	10 OVER 30 UNDER ±0.25	CHECKED BY M. SASAO	DATE '04/02/12	THIRD ANGLE PROJECTION
	30 OVER ±0.3	APPROVED BY M. SASAO	DATE '04/02/12	MOLEX INCORPORATED
	ANGULAR ±3 °	MATERIAL NO.	DOCUMENT NO.	
DRAFT WHERE APPLICABLE MUST REMAIN WITHIN DIMENSIONS	SIZE A3	SEE CHART	SD-55883-010	1 OF 3

本図は2列品を示す  
DUAL ROW ASS'Y



SHAPE OF  
55883-0690  
HEADER COLOR:NATURAL

SHAPE OF  
55883-0890  
HEADER COLOR:NATURAL  
55883-0892  
HEADER COLOR:RED

SHAPE OF  
55883-1090  
HEADER COLOR:NATURAL

SHAPE OF  
55883-1091  
HEADER COLOR:BLACK

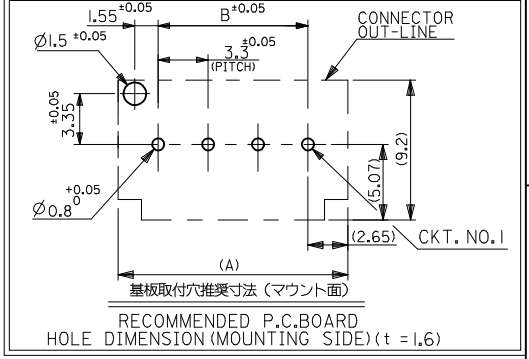
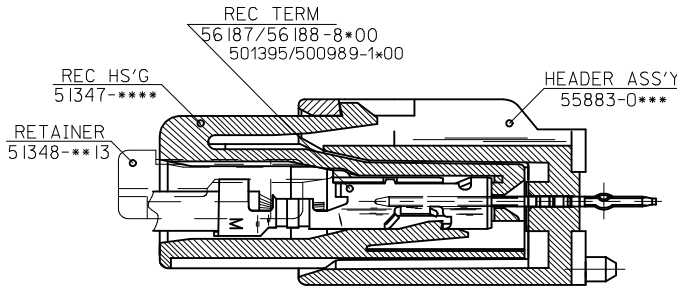
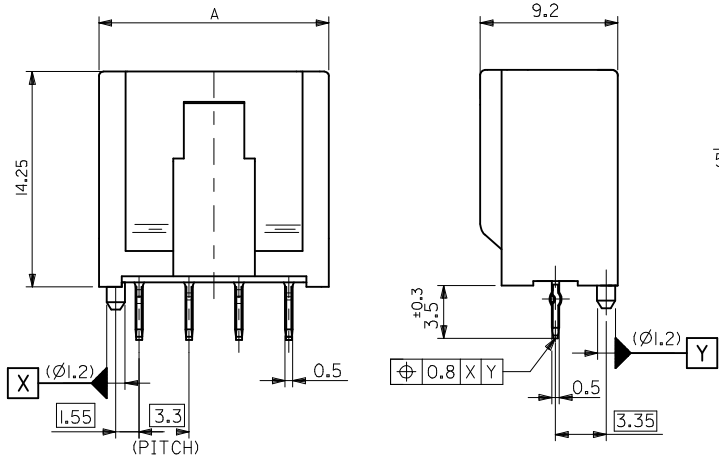
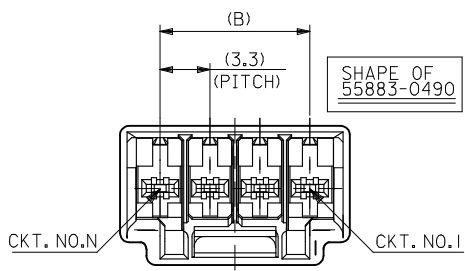
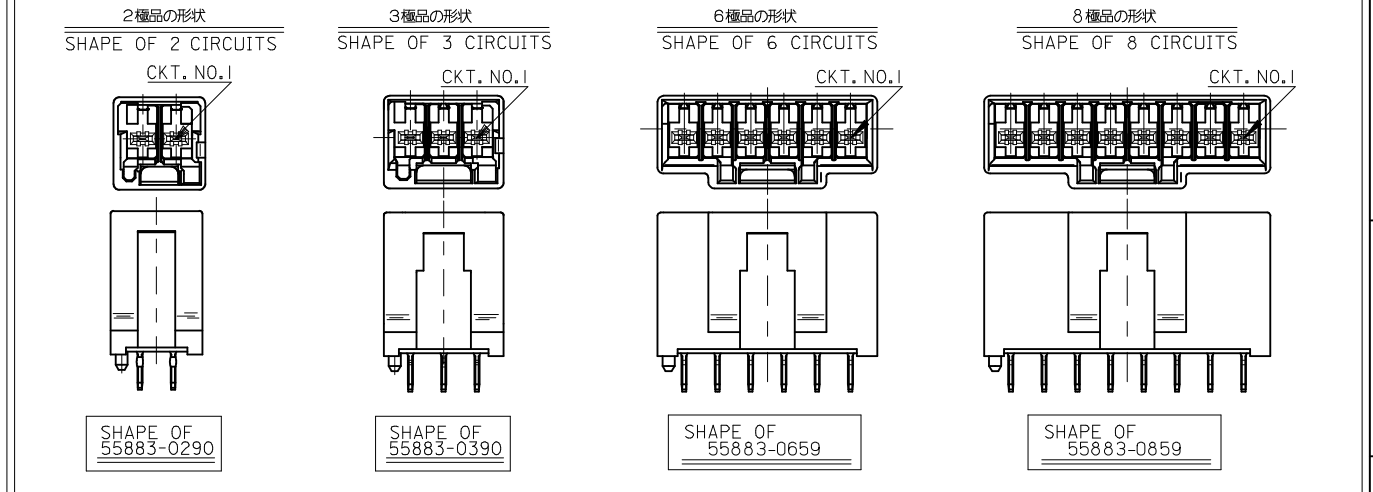
MATING KEY POSITION:OPPOSITE SIDE OF LOCK

MATING KEY POSITION:LOCK SIDE

極数レイアウト図  
LAYOUT OF EACH CIRCUITS

REVISED EC NO. J2010-0432 DRAWN:YOSHIKAWA 2009/09/11 CHKDK:ASAKAWA 2009/09/14 APPR:NUKITA 2009/09/15	GENERAL TOLERANCES (UNLESS SPECIFIED)		DIMENSION STYLE MM ONLY	SCALE ---	DESIGN UNITS METRIC	THIRD ANGLE PROJECTION
	10 UNDER	±0.2	DRAWN BY J.KUGOU	DATE '04/02/12	TITLE 3.3 WIRE TO BOARD CONN. HEADER ASS'Y	
	10 OVER 30 UNDER	±0.25	CHECKED BY M.SASAO	DATE '04/02/12		
	30 OVER	±0.3	APPROVED BY M.SASAO	DATE '04/02/12	MOLEX INCORPORATED DOCUMENT NO. SD-55883-010 SHEET NO. 2 OF 3	
ANGULAR ±3 °		MATERIAL NO. SEE SHEET 1				
DRAFT WHERE APPLICABLE MUST REMAIN WITHIN DIMENSIONS		THIS DRAWING CONTAINS INFORMATION THAT IS PROPRIETARY TO MOLEX INCORPORATED AND SHOULD NOT BE USED WITHOUT WRITTEN PERMISSION				

本図は1列品を示す  
SINGLE ROW ASS'Y



NATURAL (IVORY)	23.1	28.4	55883-0859	8
	16.5	21.8	55883-0659	6
	9.9	15.2	55883-0490	4
	6.6	11.9	55883-0390	3
COLOR	3.3	9.1	55883-0290	2
	TRAY PACKAGE			極数
オーダー番号 ORDER NO.				CIRCUITS

注記 NOTES

- 材料 MATERIAL  
ピン PIN : 黄銅, ニッケル下地鍍メッキ  
          : BRASS, TIN OVER NICKEL PLATED  
ヘッダー HEADER : ホリアミド (PA)、ガラス充填 UL94V-0  
                  : POLYAMIDE(PA), GLASS FILLED, UL94V-0
- 嵌合相手 MATE WITH : 51347-\*\*\*\*
- ELV及びRoHS 適合品  
ELV AND RoHS COMPLIANT

REVISED EC NO: J2010-0432 DRWN: YOSHIKAWA 2009/09/11 CHKD: ASAKAWA 2009/09/14 APPR: NUKITA 2009/09/15	DESCRIPTION	GENERAL TOLERANCES (UNLESS SPECIFIED)		DIMENSION STYLE MM ONLY		SCALE ---		DESIGN UNITS METRIC		THIRD ANGLE PROJECTION		
		10 UNDER	±0.2	DRAWN BY J. KUGOU	DATE '04/02/12	TITLE 3.3 WIRE TO BOARD CONN. HEADER ASS'Y						
		10 OVER 30 UNDER	±0.25	CHECKED BY M. SASAO	DATE '04/02/12	MOLEX INCORPORATED						
		30 OVER	±0.3	APPROVED BY M. SASAO	DATE '04/02/12							
ANGULAR	±3 °	DRAFT WHERE APPLICABLE MUST REMAIN WITHIN DIMENSIONS		MATERIAL NO. SEE CHART		DOCUMENT NO. SD-55883-010		SHEET NO. 3 OF 3				