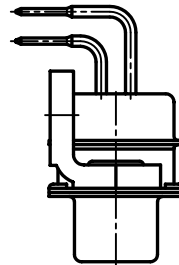
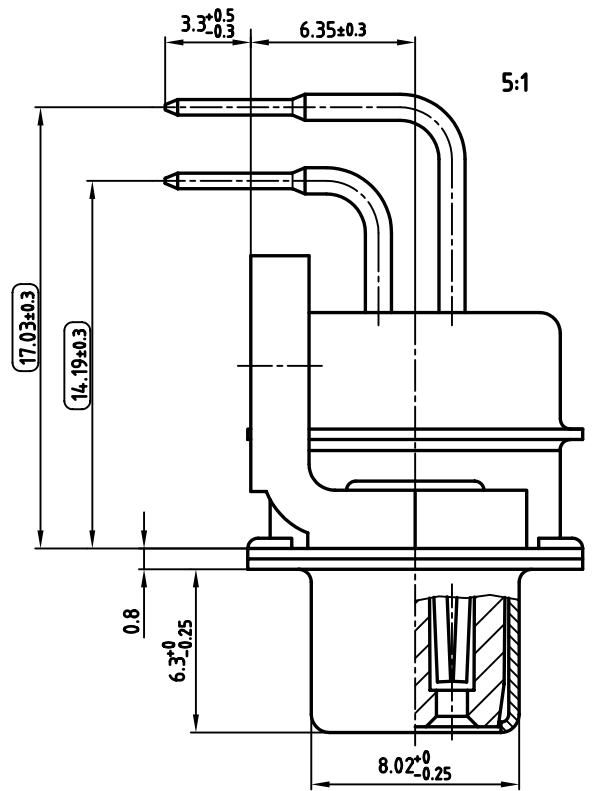
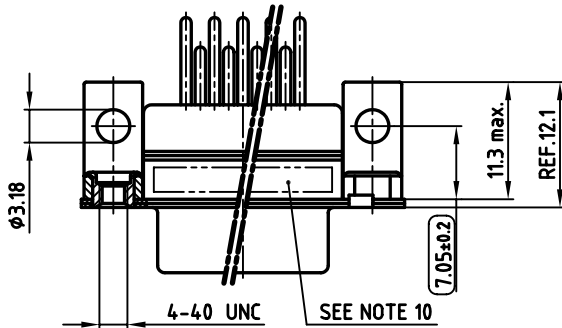
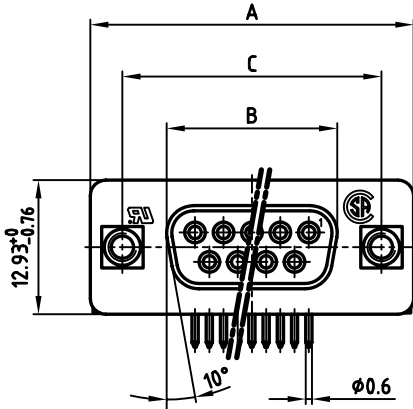


used for: D-SUB  $\pi$  FILTER

POS.	A <sup>-0.76</sup>	B <sup>-0.25</sup>	C <sup>-0.12</sup> <sup>-0.13</sup>	Part-NO.
9	31.19	16.46	25.00	242A25940X
15	39.52	24.79	33.30 <sup>-0.15</sup> <sup>-0.1</sup>	242A25950X
25	53.42	38.50	47.04 $\pm 0.13$	242A25960X
37	69.70	54.96	63.50 $\pm 0.13$	242A25970X



**NOTES:**

- METALSHELLS: STEEL; min. 320 $\mu$ " TIN
- INSULATORS: PBT GF UL 94 V-0, BLACK
- CONTACTS: COPPER ALLOY  
PLATING: 8 $\mu$ " HARD GOLD OVER min. 50 $\mu$ " NICKEL
- METAL BRACKET: STEEL; min. 320 $\mu$ " TIN over 80 $\mu$ " NICKEL
- THREADED INSERT: COPPER ALLOY; min. 200 $\mu$ " TIN over 80 $\mu$ " NICKEL
- P.C.B. HOLE DRILLINGS ON SHEET 2
- CAPACITANCE: 2 x 180pF  $\pm 20\%$
- DIELECTRIC WITHSTANDING VOLTAGE: 300 VDC
- MAXIMUM TORQUE VALUE FOR THREAD: 6" LBS
- CONNECTOR IS PART MARKED: [PART-NO. CONEC ABC]
- = CHECK DIMENSION

Directive 2002/95/EC  
RoHS  
Compliant

APPROVAL * FREIGABE * DEBLOCAGE * AUTORIZACION * APPROVAL	
CUSTOMER APPROVAL DATE:	
NAME:	TITLE:
COMPANY NAME:	
APPROVAL * FREIGABE * DEBLOCAGE * AUTORIZACION * APPROVAL	

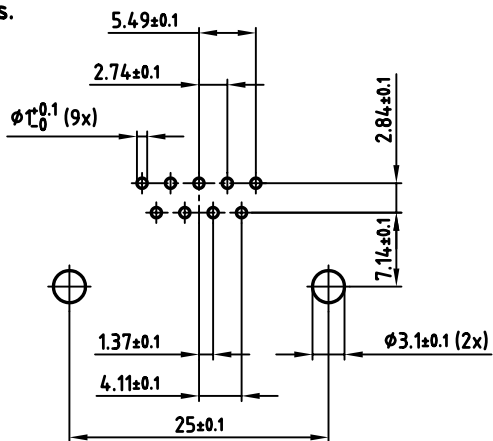
THIS DRAWING MAY NOT BE COPIED OR REPRODUCED IN ANY WAY, AND MAY NOT BE PASSED ON TO A THIRD PARTY, WITHOUT WRITTEN PERMISSION.  
OWNERSHIP AND COPYRIGHT OF CONEC GmbH  
**DO NOT ALTER CAD DRAWING BY HAND**

rev.	description	date	name

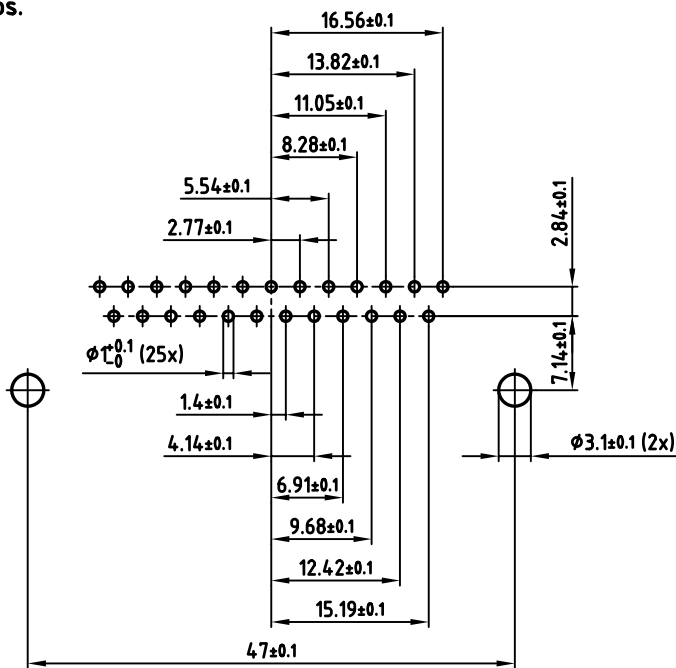
tolerance		scale:	2:1 (5:1)
	dim. in mm	material:	SEE NOTES
2004	date	name	title:
drawn	15.04.	Lehmenkühler	<b>D-SUB <math>\pi</math> FILTER FEMALE 90°</b>
appd.	15.04.	Kühle	0.590inch 9-37pos.
norm	DIN 41652		with threaded insert and metal bracket
d-old			dwg no: AutoCAD 2000
<b>CONEC</b>		<b>24K1A529</b>	
		part no: SEE TABLE	DIN-A 3 sh:1/2

used for: D-SUB  $\pi$  FILTER

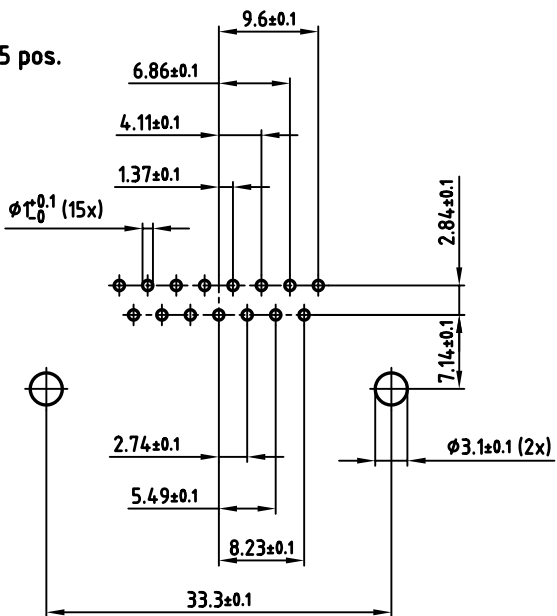
9 pos.



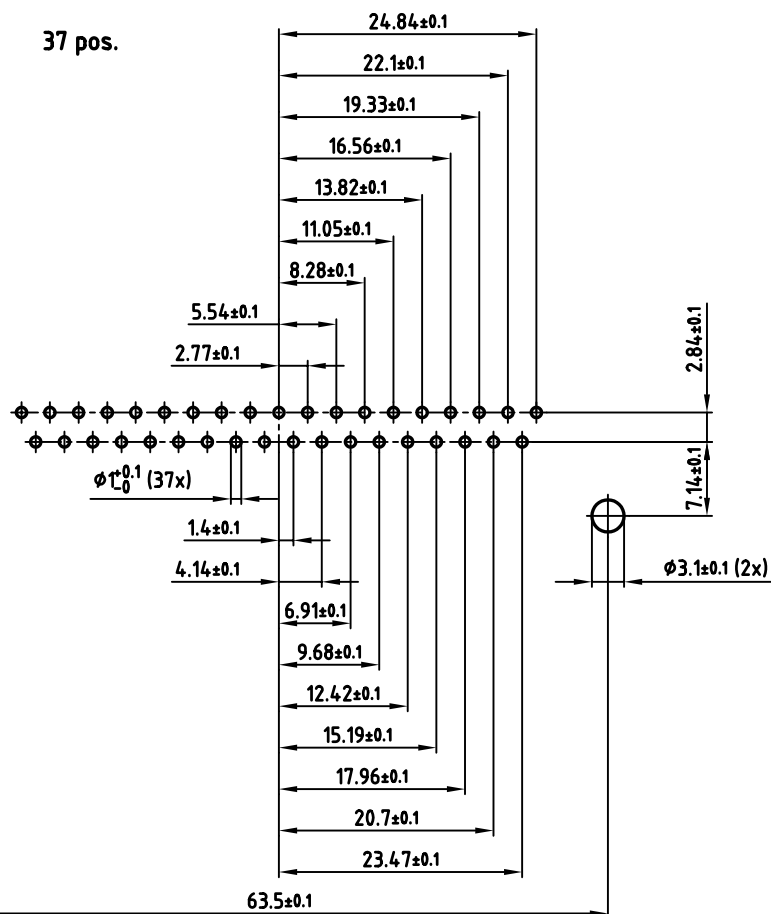
25 pos.



15 pos.



37 pos.



APPROVAL # FREIGABE # DEBLOCAGE # AUTORIZACION # APPROVAL

CUSTOMER APPROVAL DATE:

NAME: TITLE:

COMPANY NAME:

APPROVAL # FREIGABE # DEBLOCAGE # AUTORIZACION # APPROVAL

THIS DRAWING MAY NOT BE COPIED OR REPRODUCED IN ANY WAY, AND MAY NOT BE PASSED ON TO A THIRD PARTY, WITHOUT WRITTEN PERMISSION. OWNERSHIP AND COPYRIGHT OF CONEC GmbH. DO NOT ALTER CAD DRAWING BY HAND

rev.	description	date	name

tolerance:  $\varnothing$  dim. in mm

scale: 2:1

material: SEE SHEET 1

title: P.C.B. HOLE DRILLINGS  
D-SUB  $\pi$  FILTER FEMALE 90° 0.590inch  
with threaded insert and metal bracket

dwg no: AutoCAD 2000 DIN-A 3 sh:2/2

part no: SEE SHEET 1

2004 date name  
drawn 15.04. Lehmenkühler  
appd. 15.04. Kühle  
norm DIN 41652  
d-old

**CONEC**