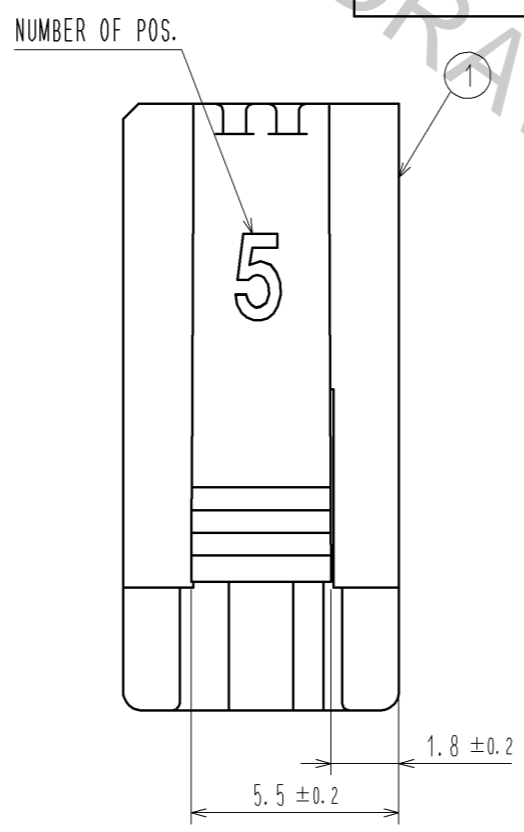
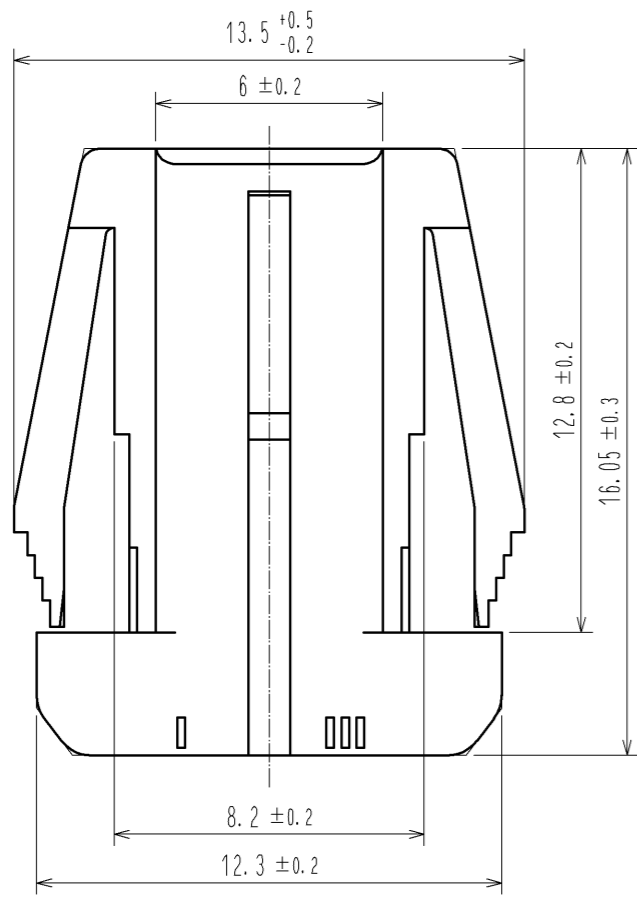
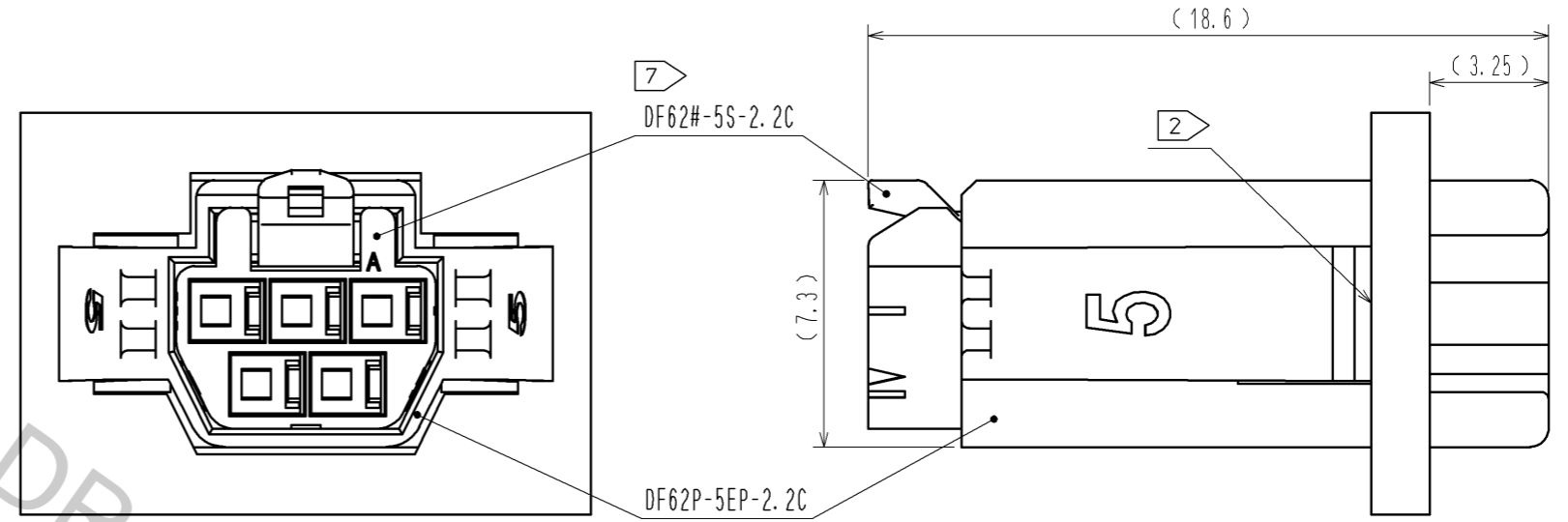
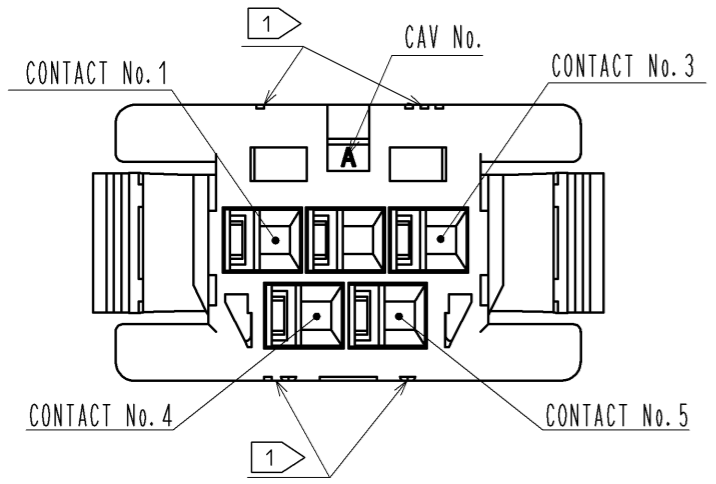
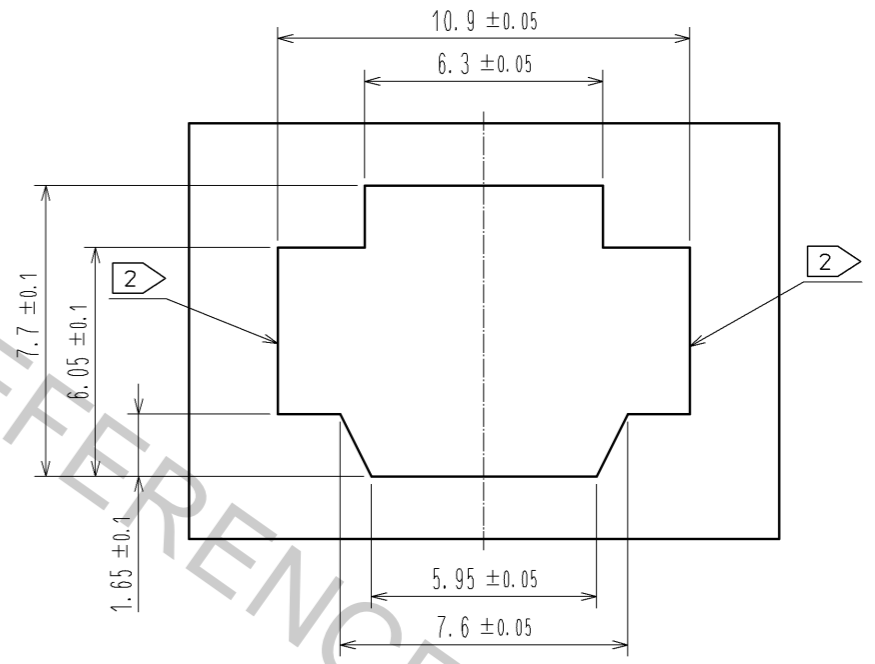


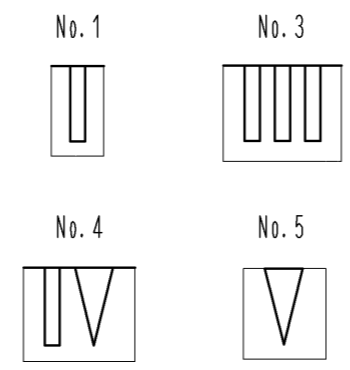
7 MATING FIGURE ( PANEL MOUNTED )



3 4 RECOMMENDED PANEL CUTOUT DIMENSION



1 FIGURE-1 CONTACT No. MARKING (10:1)



- NOTE.
- 1 MARKINGS AT THE INDICATED POSITIONS ARE CONTACT NO. MARKING, AND SHAPES ARE SHOWN IN FIGURE-1.
  - 2 PLEASE USE THE NON-RADIUS SIDE FOR THE PANEL HOOKING AREA.
  - 3 APPLICABLE PANEL THICKENING IS 2.3 TO 0.5mm.
  - 4 CONSULT HIROSE FOR THE OTHER PANEL CUTOUT DESIGNS THAN THE RECOMMENDED ONE.
  5. PER PACK : 100 PIECES.
  6. THE DIMENSIONS IN PARENTHESIS ARE FOR REFERENCE.
  - 7 THIS FIGURE SHOWS THE MATED CONDITION WITH DF62B-5S-2.2C.

NO.		MATERIAL		FINISH . REMARKS		1	PBT	UL94V-0(BLACK)
UNITS mm		SCALE 5 : 1		COUNT		DESIGNED		CHECKED
HRS		HIROSE ELECTRIC CO., LTD.		APPROVED : KI. AKIYAMA		13.12.26		DRAWING NO. EDC3-349138-00
				CHECKED : OM. MIYAMOTO		13.12.26		PART NO. DF62P-5EP-2.2C
				DESIGNED : TH. YOSHIZAWA		13.12.26		CODE NO. CL544-0546-0-00
				DRAWN : MI. SAKIMURA		13.12.25		DATE