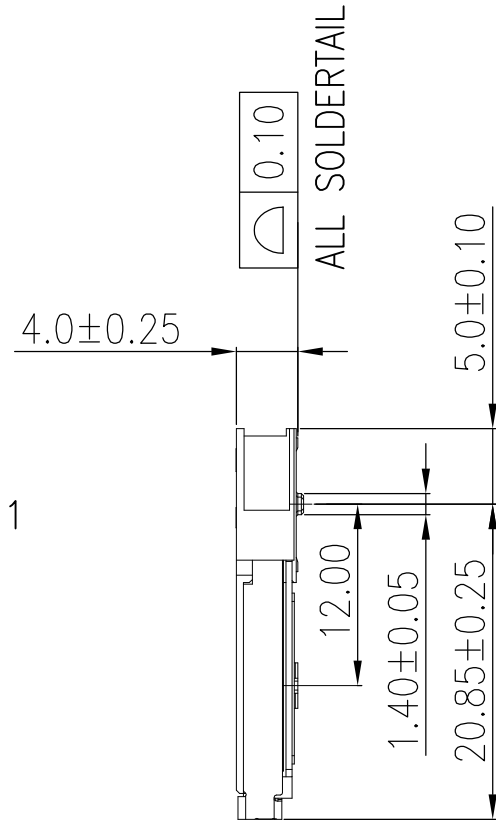
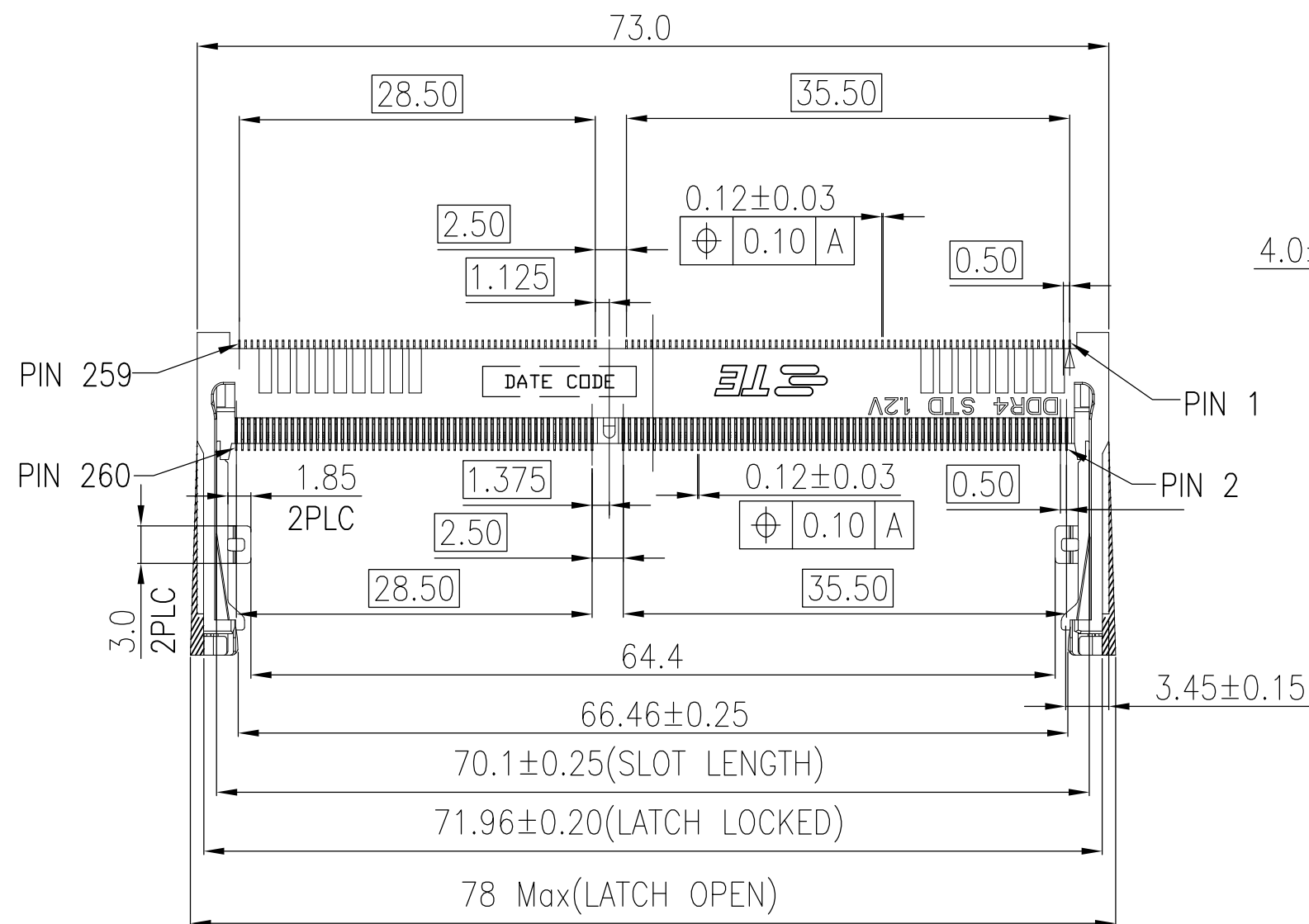
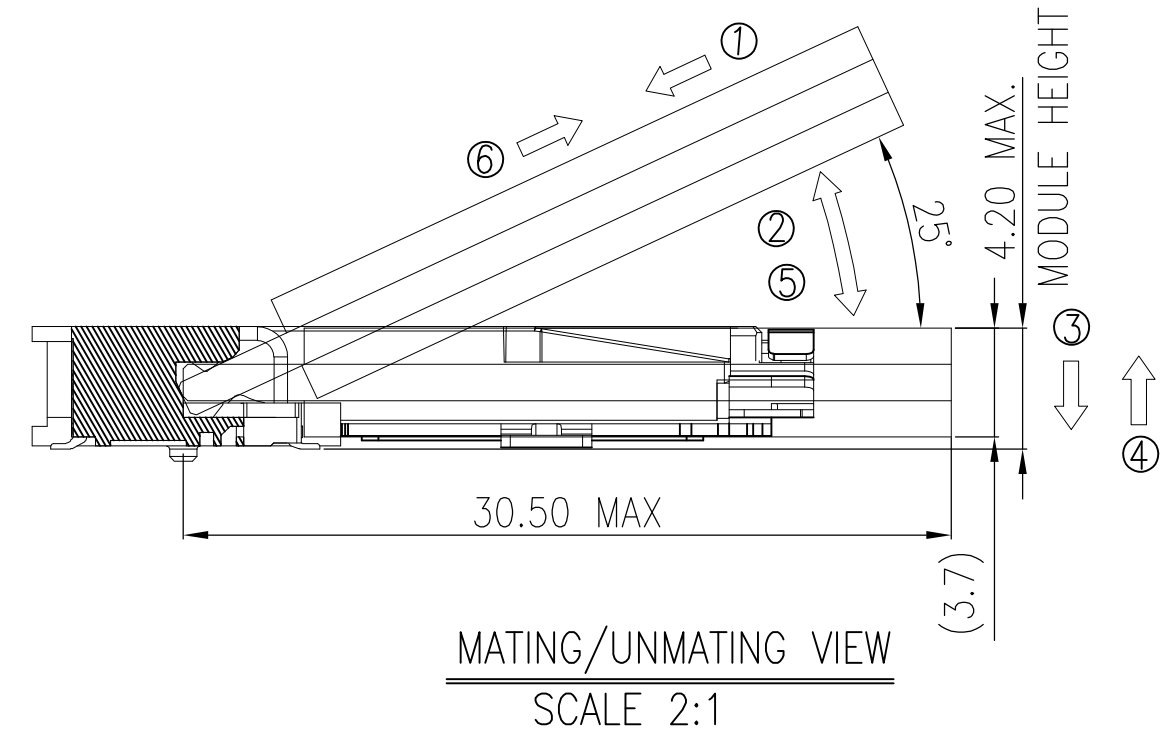
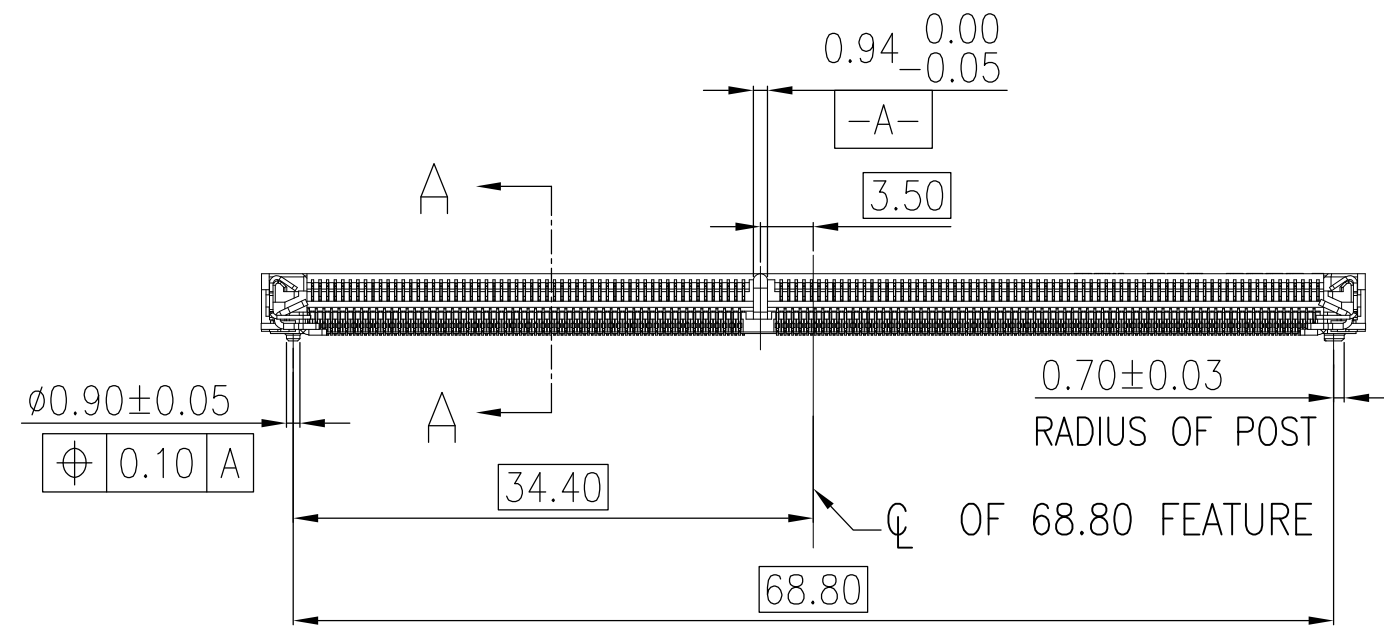


REVISIONS					
P	LTR	DESCRIPTION	DATE	DWN	APVD
3		REVISED	18FEB2017	D.Z	S.L

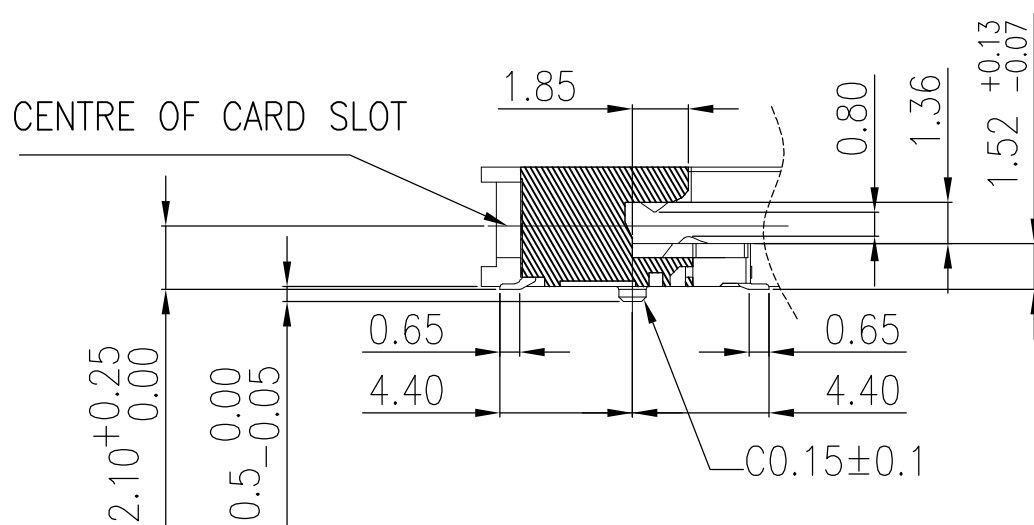


NOTES:

- MATERIAL:
 - HOUSING: HIGH TEMPERATURE THERMO PLASTIC, UL94V-0, COLOR: BLACK.
 - CONTACT: COPPER ALLOY.
 - SOLDER PEG AND LATCH: STAINLESS STEEL.
- FINISH:
 - SOLDER PEG: GOLD FLASH ON 50u" MIN NICKEL UNDERPLATED ALL OVER.
 - CONTACT SOLDER AREA: GOLD FLASH ON SOLDER TAIL.
 - CONTACT AREA: GOLD FLASH ON 50u" MIN NICKEL UNDERPLATED ALL OVER.
 - CONTACT AREA: 5u" ON 50u" MIN NICKEL UNDERPLATED ALL OVER.
 - CONTACT AREA: 10u" ON 50u" MIN NICKEL UNDERPLATED ALL OVER.
 - CONTACT AREA: 15u" ON 50u" MIN NICKEL UNDERPLATED ALL OVER.
 - CONTACT AREA: 30u" ON 50u" MIN NICKEL UNDERPLATED ALL OVER.
- COPLANARITY: 0.10 MAX. (BEFORE SOLDERING)



MATING: ① INSERTING(25°) → ② ROTATING → ③ FIXED
 UNMATING: ④ UNFIXED → ⑤ ROTATING → ⑥ WITHDRAWING

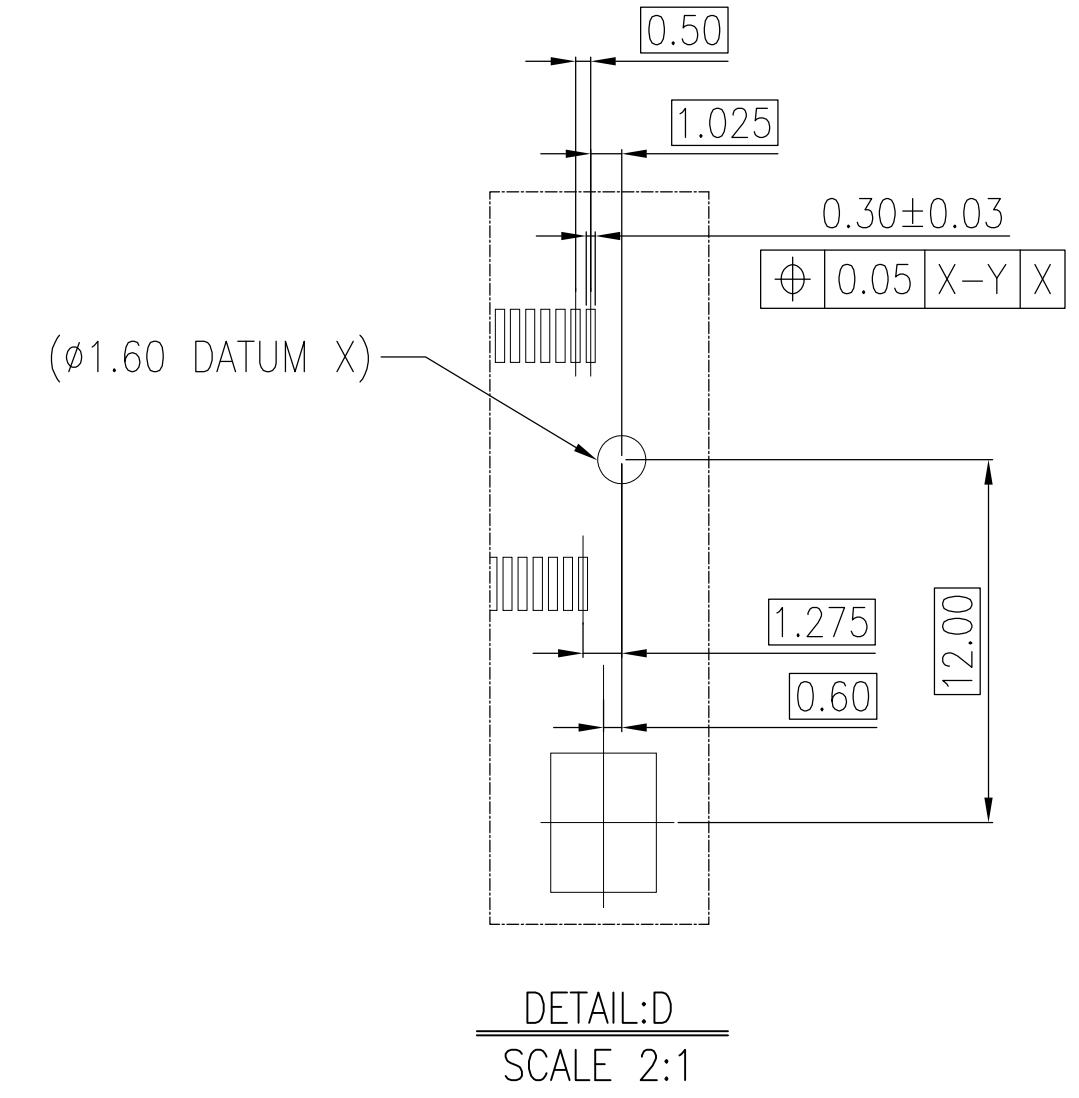
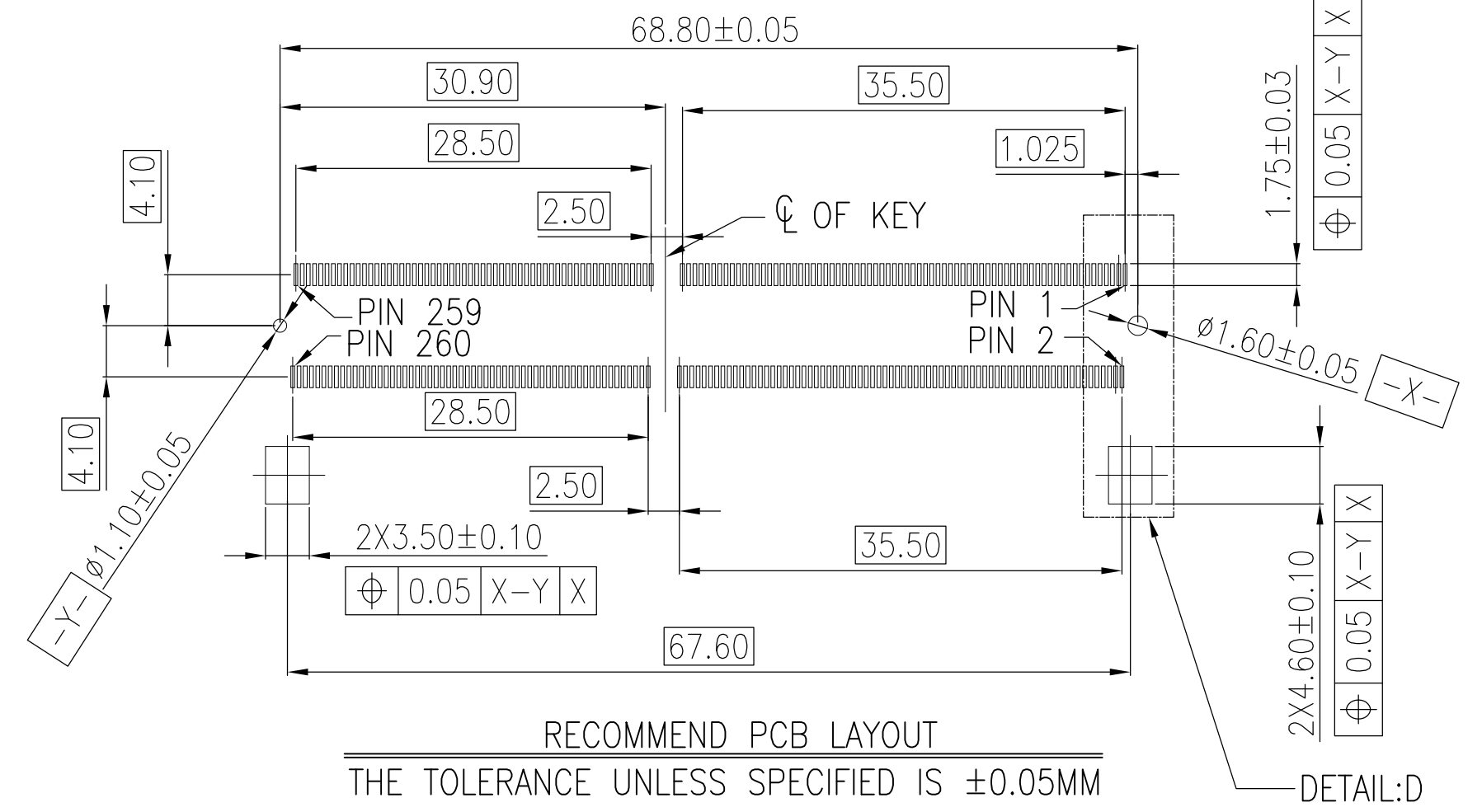
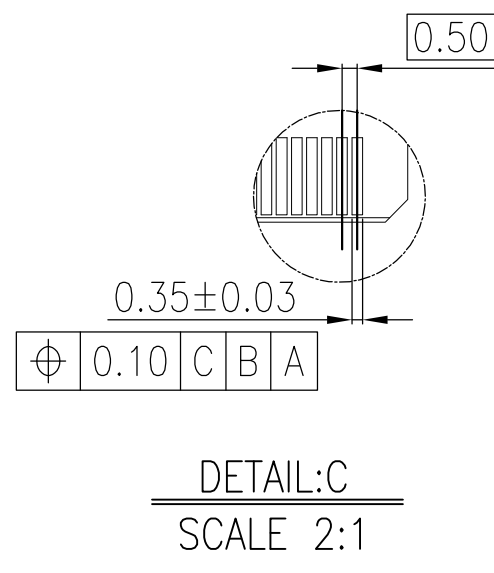
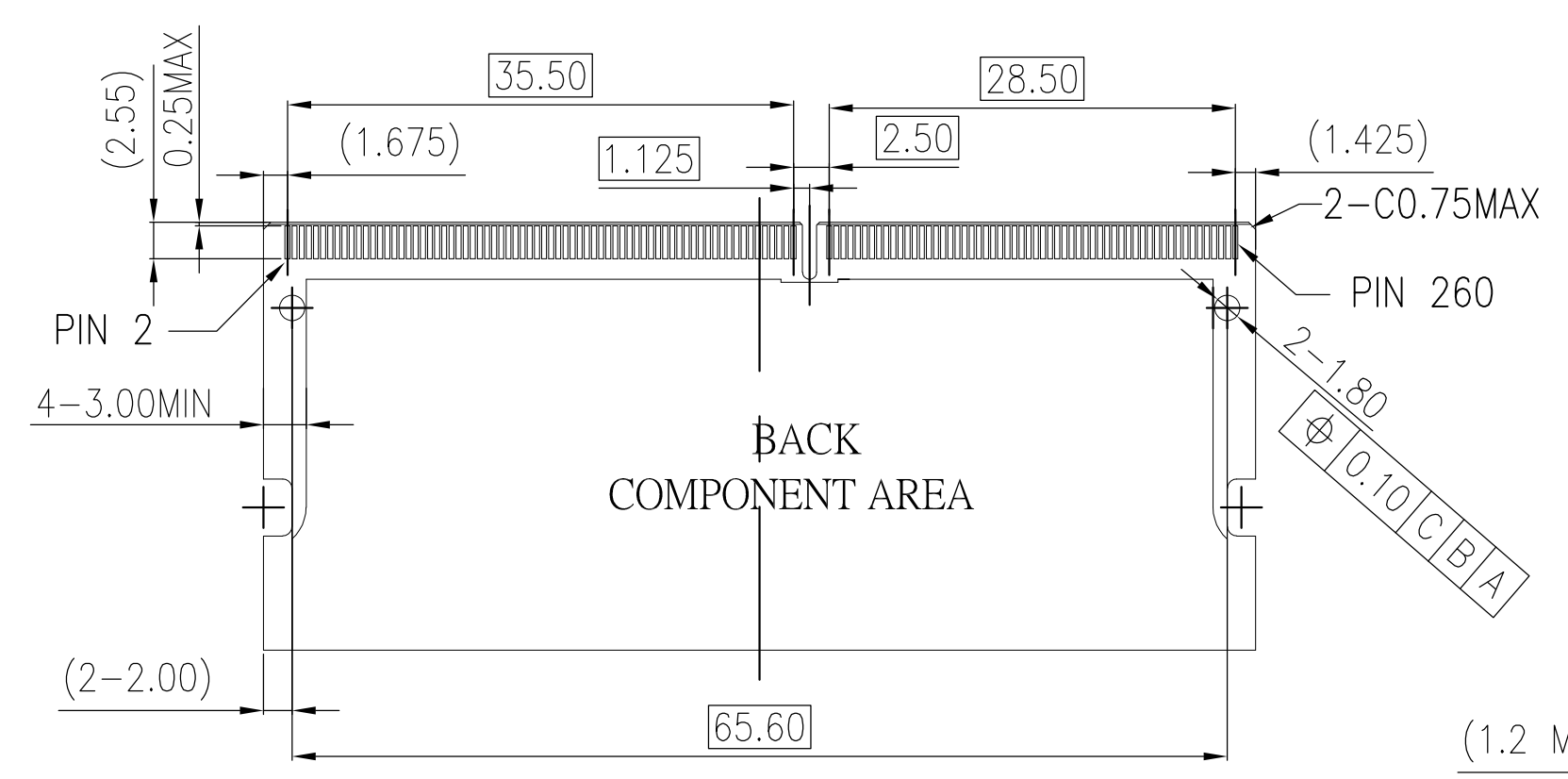
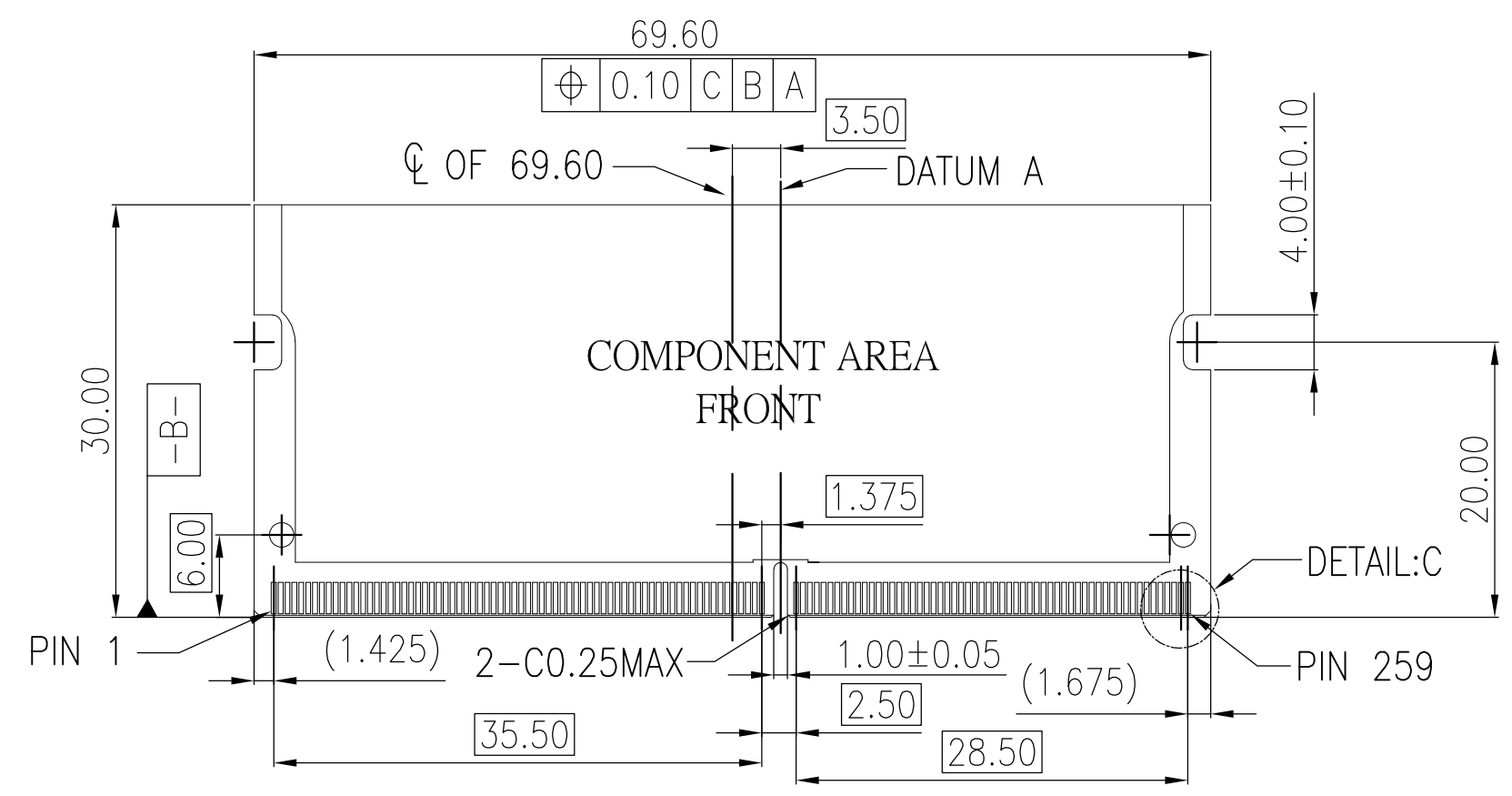


SECTION:A-A
SCALE 2:1

TAPE&REEL	BLACK	1.2V	30u"	260	2309407-5
TAPE&REEL	BLACK	1.2V	15u"	260	2309407-4
TAPE&REEL	BLACK	1.2V	10u"	260	2309407-3
TAPE&REEL	BLACK	1.2V	5u"	260	2309407-2
TAPE&REEL	BLACK	1.2V	GF	260	2309407-1
PACKING TYPE	HOUSING COLOR	POWER SUPPLY	FINISH	POS	PART NO.

THIS DRAWING IS A CONTROLLED DOCUMENT.		DWN DAVID ZHAO 09SEP2016			
DIMENSIONS: mm		CHK RICHARD MA 09SEP2016			
TOLERANCES UNLESS OTHERWISE SPECIFIED:		APVD SIMON LI 05SEP2016	NAME		
0 PLC ± -		PRODUCT SPEC	DDR4 SODIMM SOCKET		
1 PLC ± 0.25		APPLICATION SPEC	0.5mm PITCH 260POS		
2 PLC ± 0.15			4.0mm HEIGHT STANDARD TYPE		
3 PLC ± 0.10			SIZE	CAGE CODE	DRAWING NO
4 PLC ± -			A2	00779	C=2309407
ANGLES ± -		WEIGHT	RESTRICTED TO		
FINISH		3.1g			
MATERIAL		CUSTOMER DRAWING	SCALE	SHEET	REV
			1:1	1 of 3	3

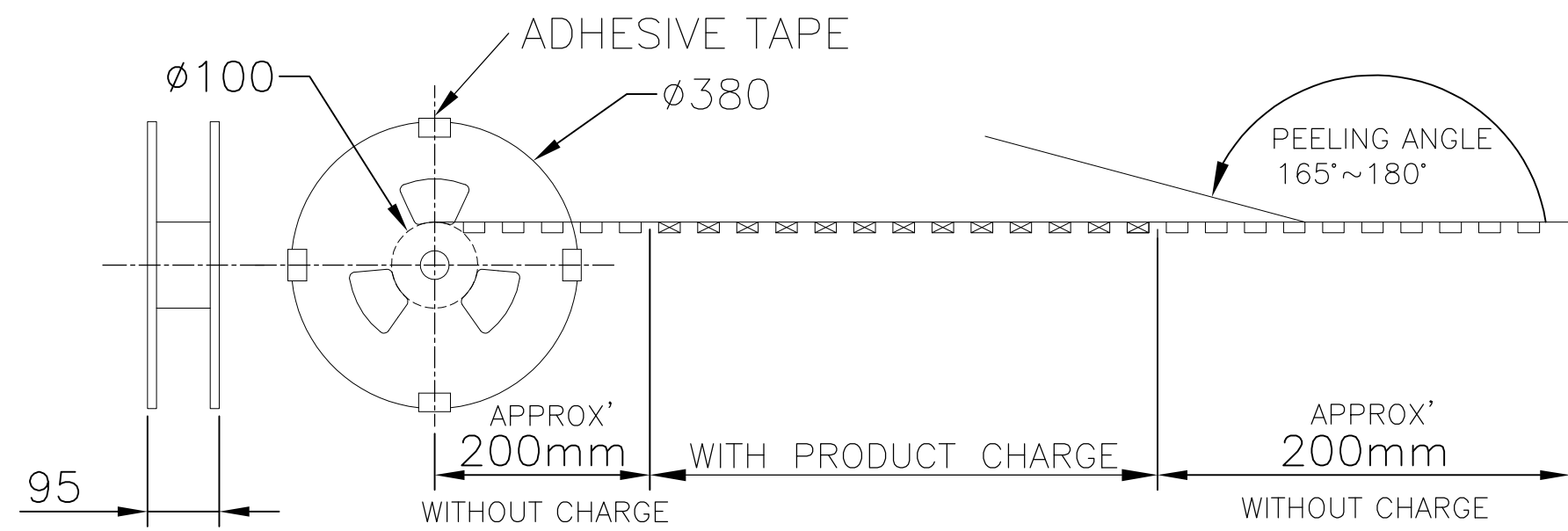
REVISIONS				
P	LTR	DESCRIPTION	DATE	APVD
-	-		-	-



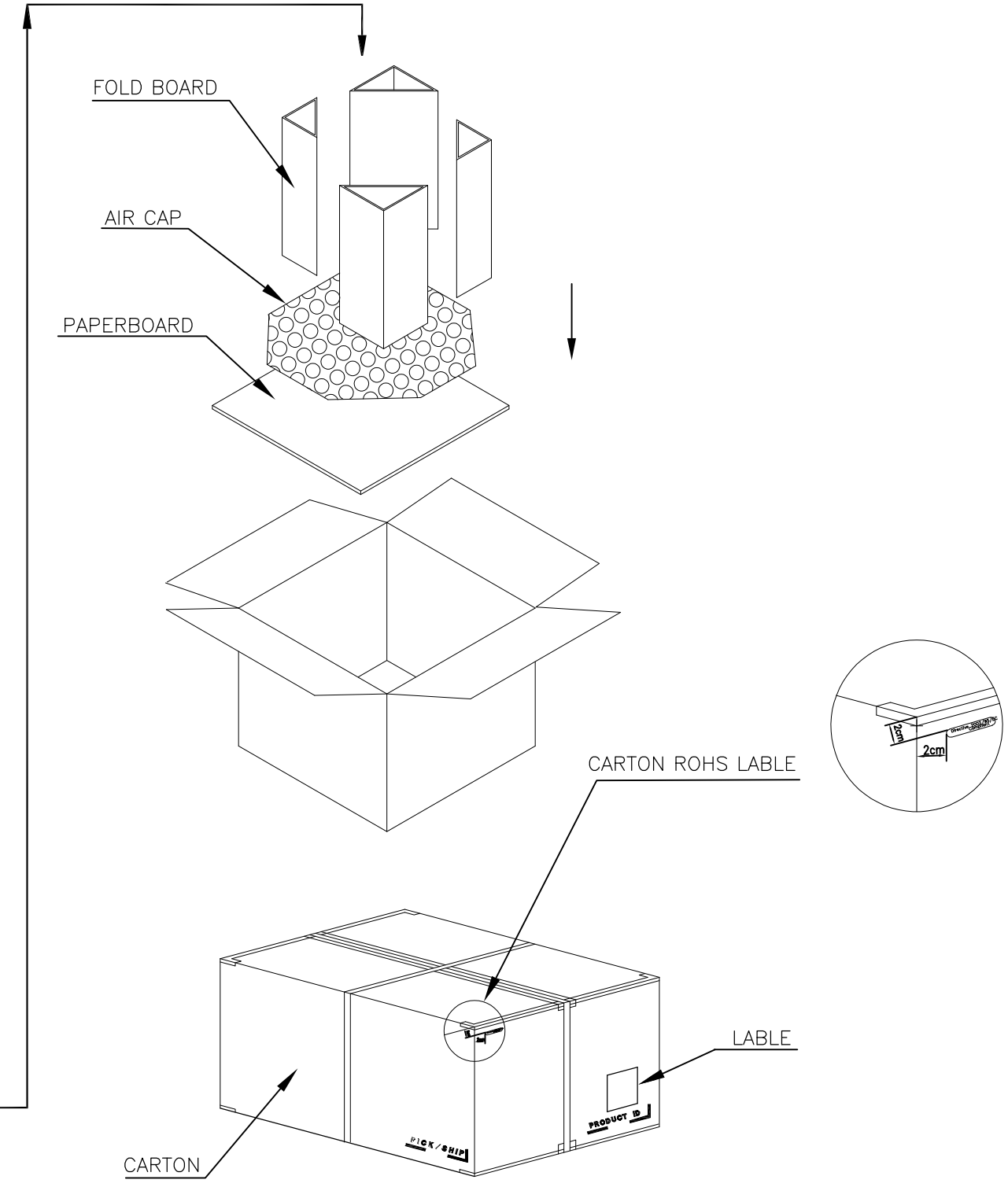
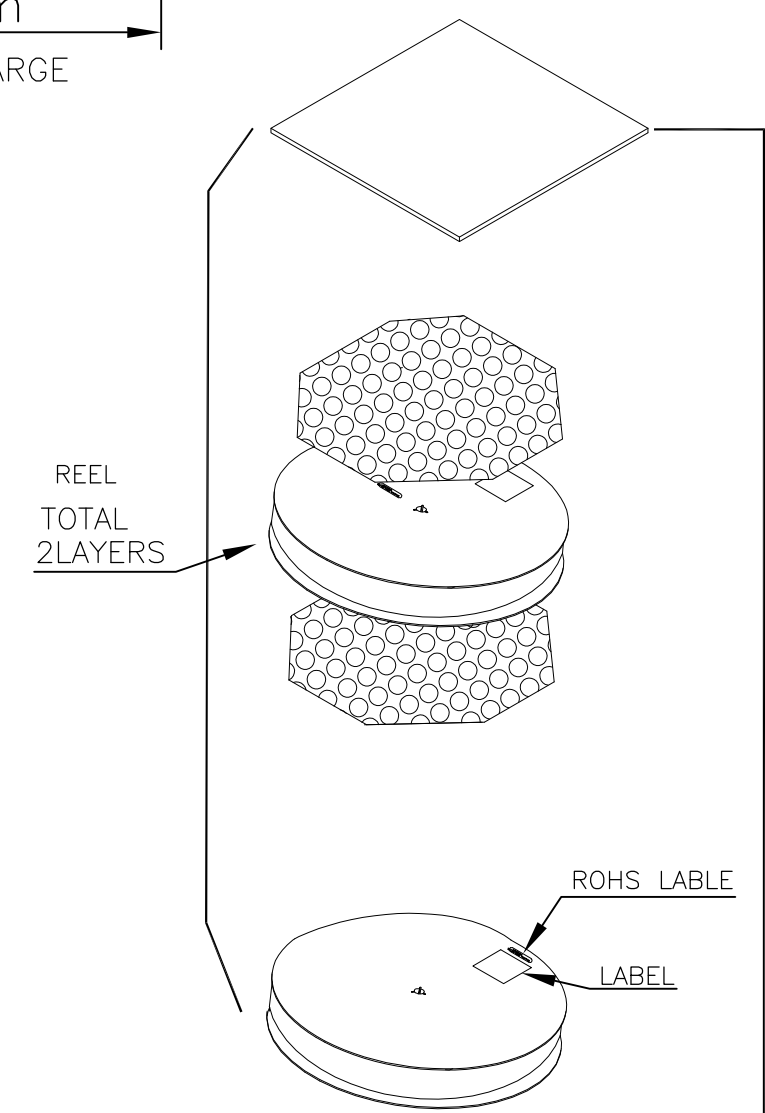
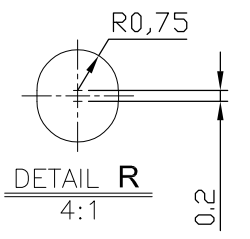
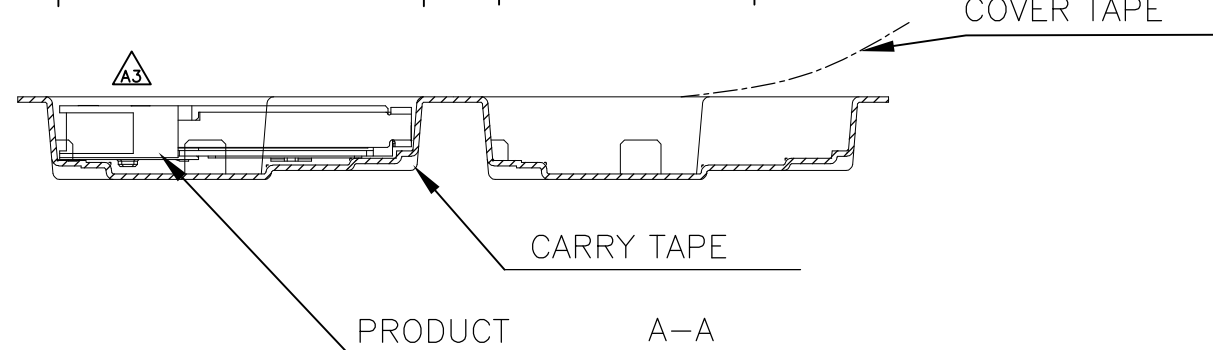
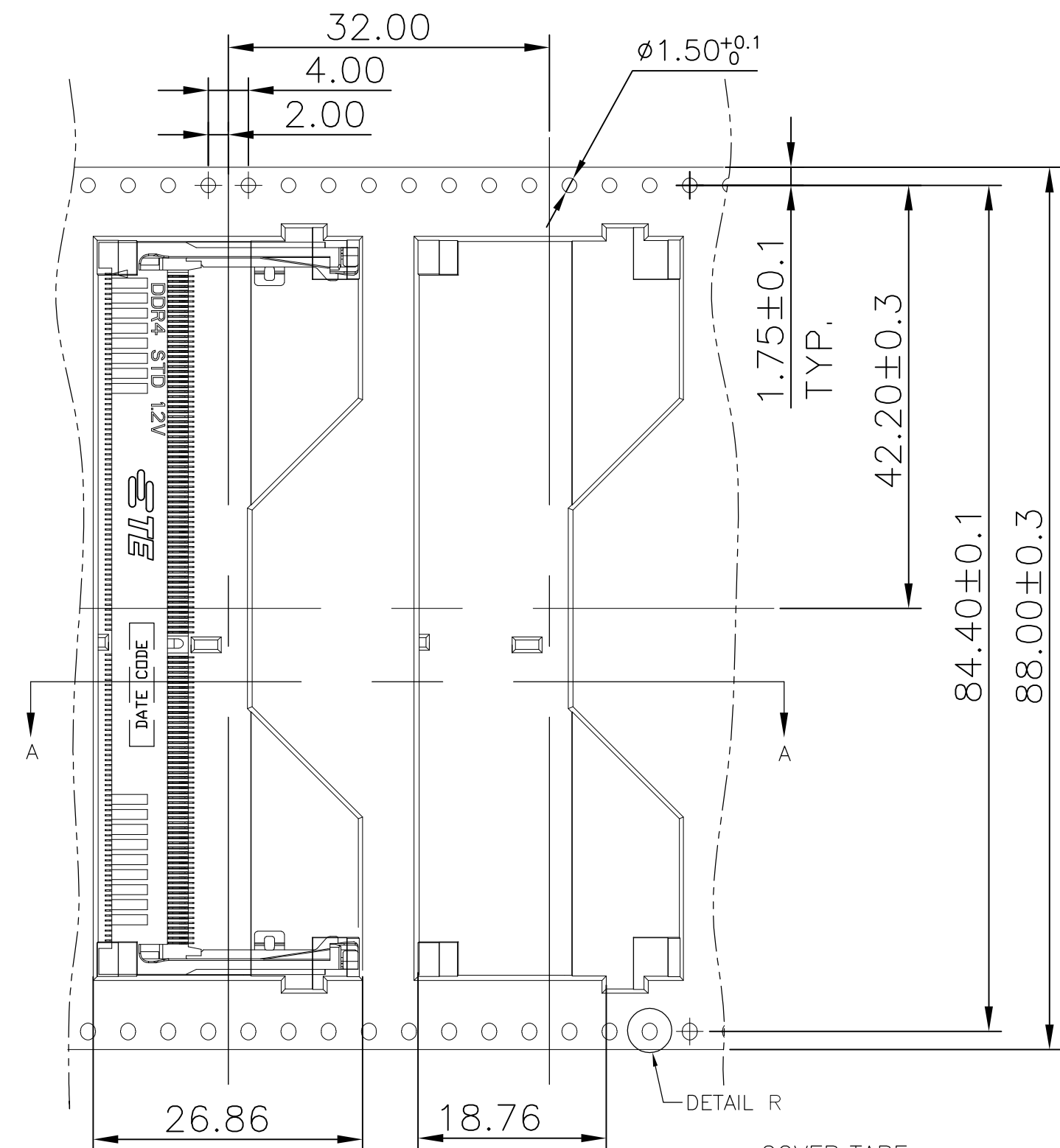
THIS DRAWING IS A CONTROLLED DOCUMENT.		DWN DAVID ZHAO 09SEP2016		TE Connectivity		
DIMENSIONS: mm		CHK RICHARD MA 09SEP2016		NAME		
TOLERANCES UNLESS OTHERWISE SPECIFIED:		APVD SIMON LI 09SEP2016		DDR4 SODIMM SOCKET		
0 PLC ±		PRODUCT SPEC		0.5mm PITCH 260POS		
1 PLC ±		APPLICATION SPEC	4.0mm HEIGHT STANDARD TYPE			
2 PLC ±		WEIGHT	SIZE A2	CAGE CODE 00779	DRAWING NO. C=2309407	RESTRICTED TO
3 PLC ±		CUSTOMER DRAWING	SCALE 1:1	SHEET 2 OF 3	REV 3	
4 PLC ±						
ANGLES ±						
FINISH						

THIS DRAWING IS UNPUBLISHED. RELEASED FOR PUBLICATION
 © COPYRIGHT 2016 By TE connectivity ALL RIGHTS RESERVED.

REVISIONS					
P	LTR	DESCRIPTION	DATE	DWN	APVD
-	-		-	-	-



PULL OUT DIRECTION →



450	2	900	*-2309407-*
PCS/REEL	REEL/CARTON	PCS/CARTON	PART NUMBER

THIS DRAWING IS A CONTROLLED DOCUMENT.		DWN DAVID ZHAO 09SEP2016	TE Connectivity	
DIMENSIONS: mm		CHK RICHARD MA 09SEP2016		
TOLERANCES UNLESS OTHERWISE SPECIFIED		APVD SIMON LI 05SEP2016	NAME	
0 PLC ±		PRODUCT SPEC	DDR4 SODIMM SOCKET	
1 PLC ± -		APPLICATION SPEC	0.5mm PITCH 260POS	
2 PLC ± -		WEIGHT	4.0mm HEIGHT STANDARD TYPE	
3 PLC ± -		CUSTOMER DRAWING	SIZE A2	CAGE CODE 00779
4 PLC ± -		SCALE -	DRAWING NO C=2309407	RESTRICTED TO
ANGLES ± -		SHEET 3 of 3	REV 3	
FINISH				