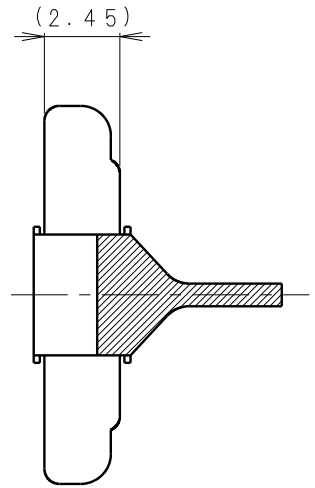
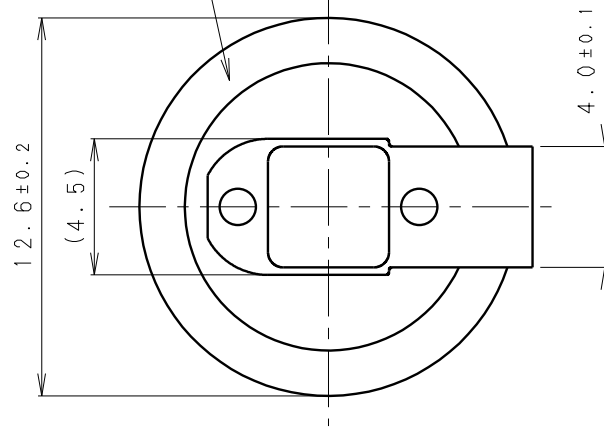
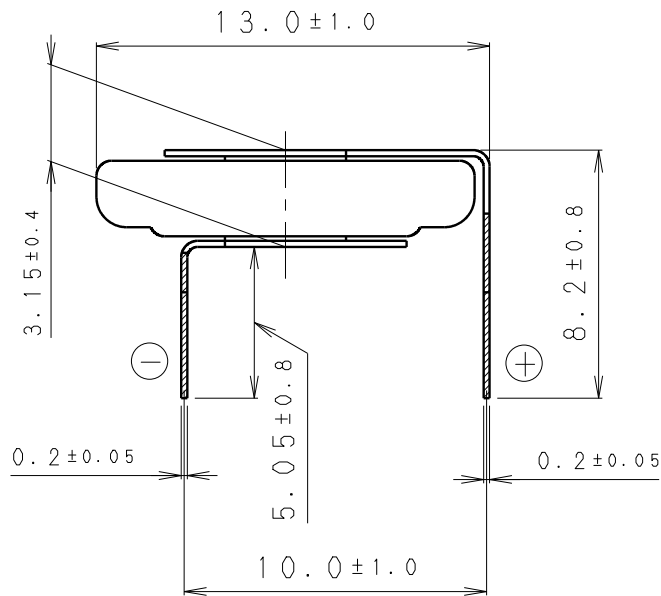
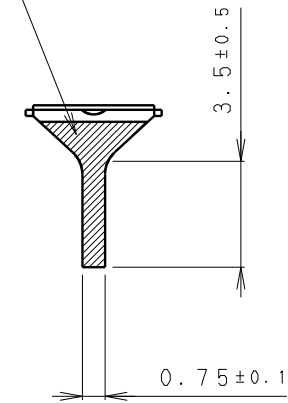


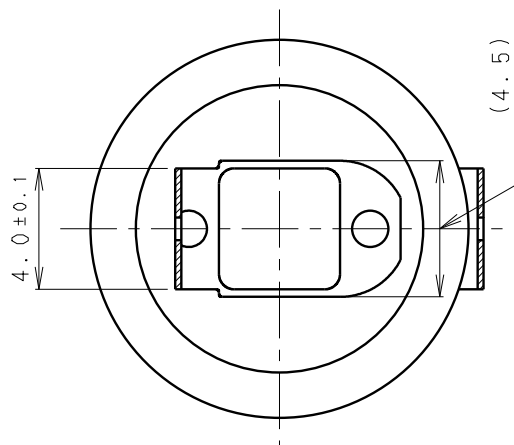
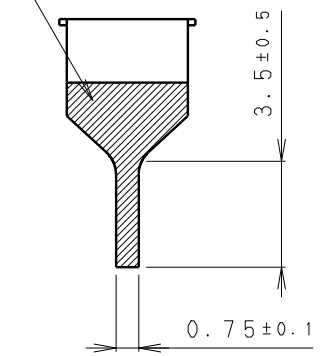
INSULATOR (YELLOW)
 [絶縁チューブ (黄色)]



TIN PLATING
 [Snメッキ]



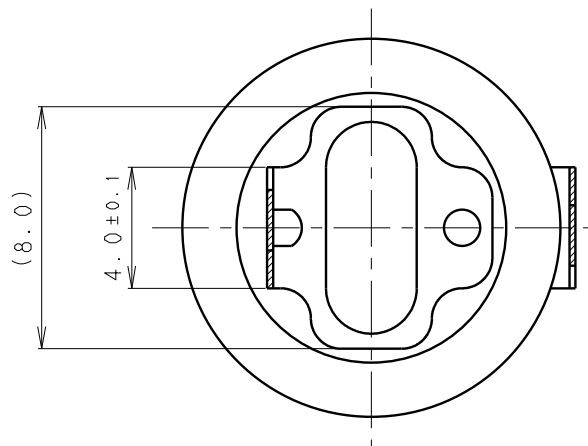
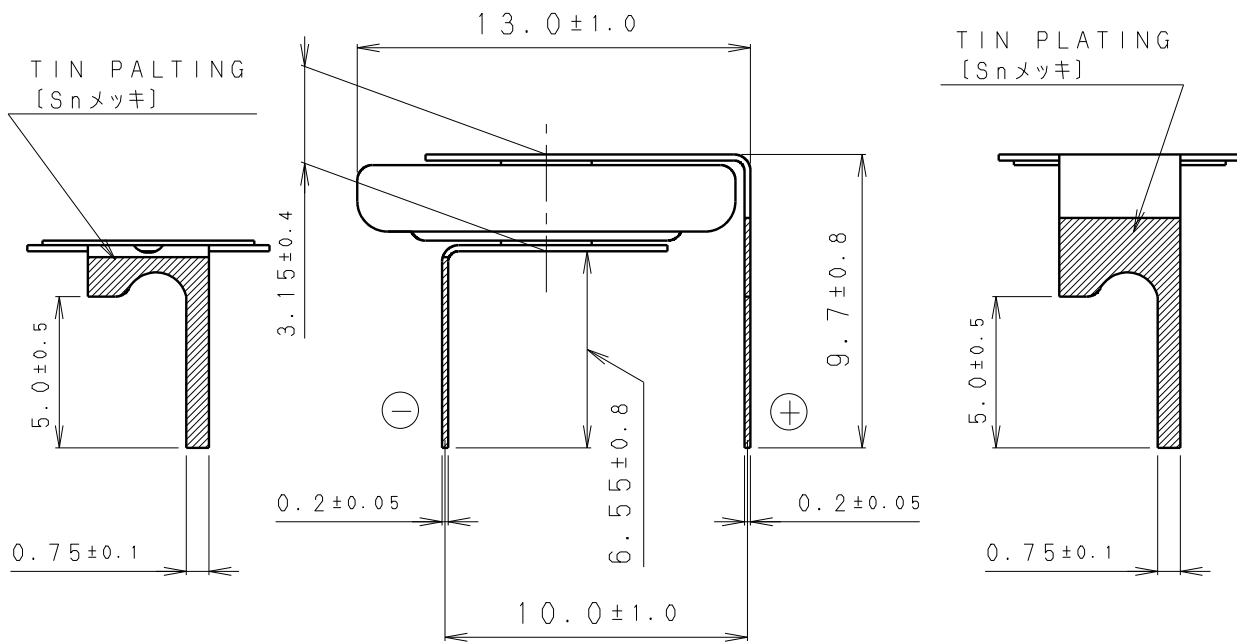
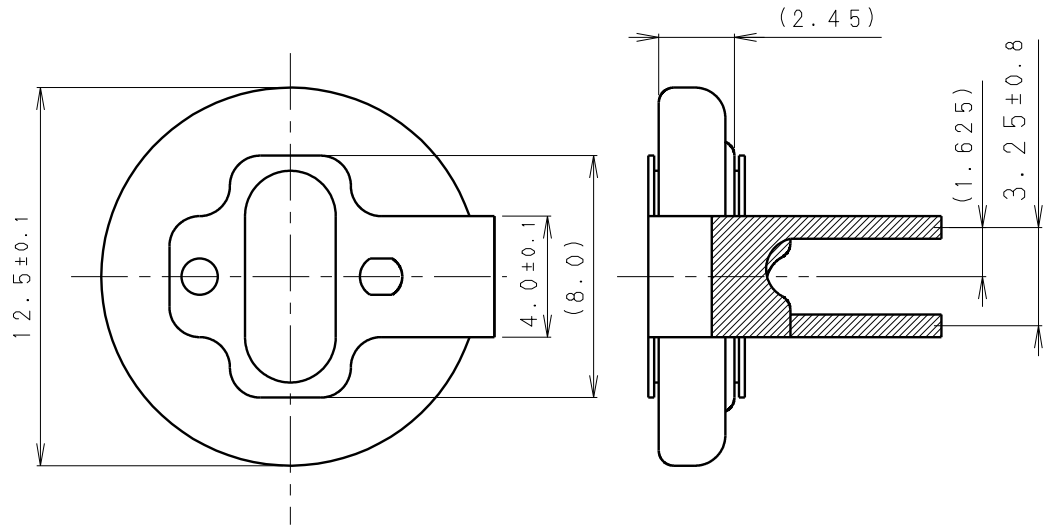
TIN PLATING
 [Snメッキ]





* NOTE [注記]

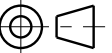
1. TAB PULLING STRENGTH OVER 19.6N
 [端子溶接強度: 19.6N以上]
2. TAB MATERIAL: STAINLESS STEEL WITH TIN PLATING
 [端子材料: 基材 ステンレス/表面 部分Snメッキ]
3. (): REFERENCE DIMENSION AND ANGLE
 [() 寸法、角度は参考値]

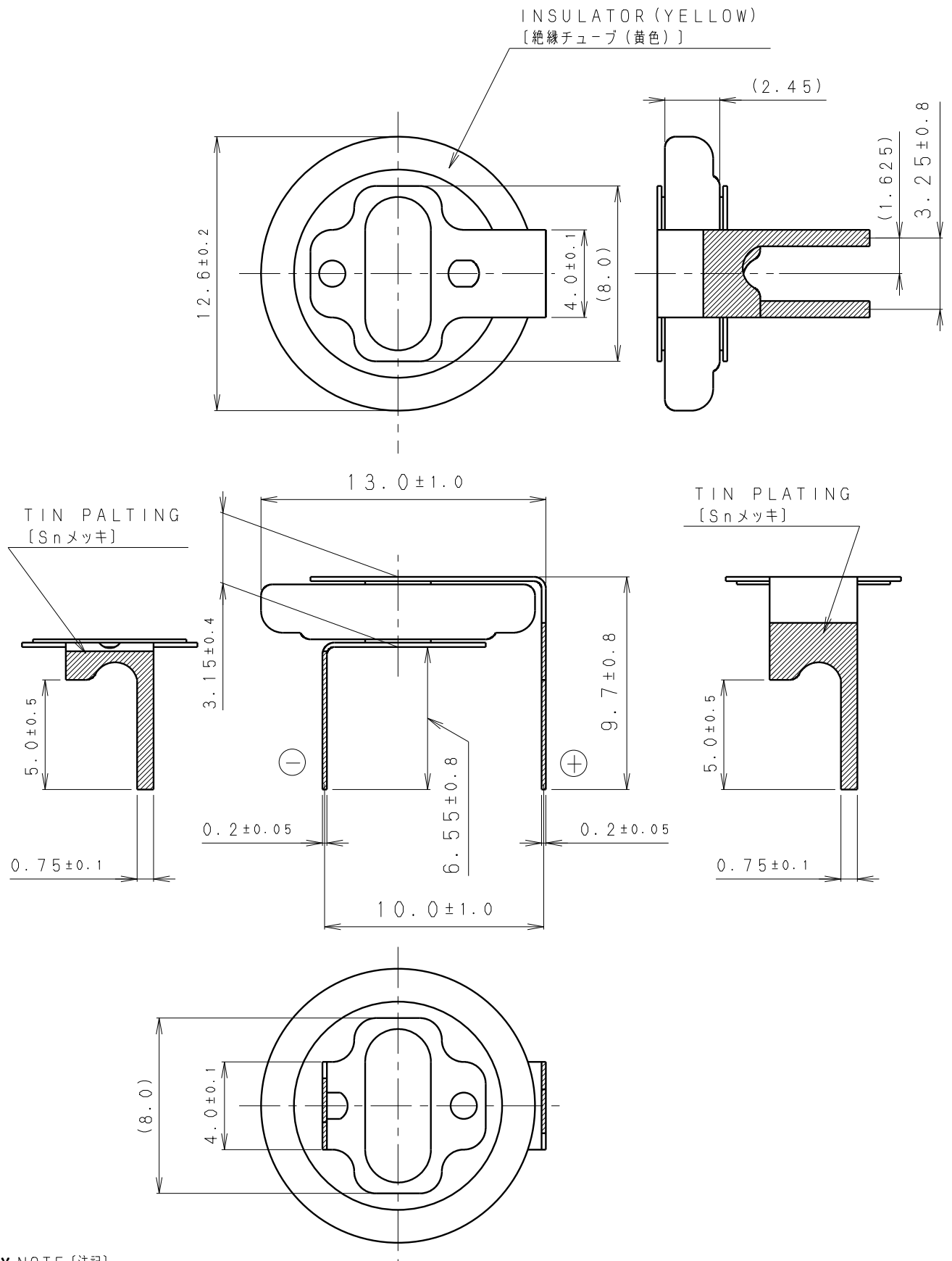
PRODUCT NO.	BR-1225/H1AN	SCALE	
		4:1	
DRAWING NO.	JGHA1Z	REV.	
		0	



* NOTE [注記]

1. TAB PULLING STRENGTH OVER 19.6N
[端子溶接強度：19.6N以上]
2. TAB MATERIAL: STAINLESS STEEL WITH TIN PLATING 
[端子材料：基材 ステンレス/表面 部分Snメッキ 
3. () : REFERENCE DIMENSION AND ANGLE
[() 寸法、角度は参考値]

PRODUCT NO.	BR-1225/HBN	SCALE	
		4:1	
DRAWING NO.	JGHB1N	REV.	
		0	



* NOTE [注記]

1. TAB PULLING STRENGTH OVER 19.6N
[端子溶接強度：19.6N以上]
2. TAB MATERIAL: STAINLESS STEEL WITH TIN PLATING
[端子材料：基材 ステンレス/表面 部分Snメッキ]
3. () : REFERENCE DIMENSION AND ANGLE
[() 寸法、角度は参考値]

PRODUCT NO.	BR-1225/HCN	SCALE	
		4:1	
DRAWING NO.	JGHB1Z	REV.	
		0	