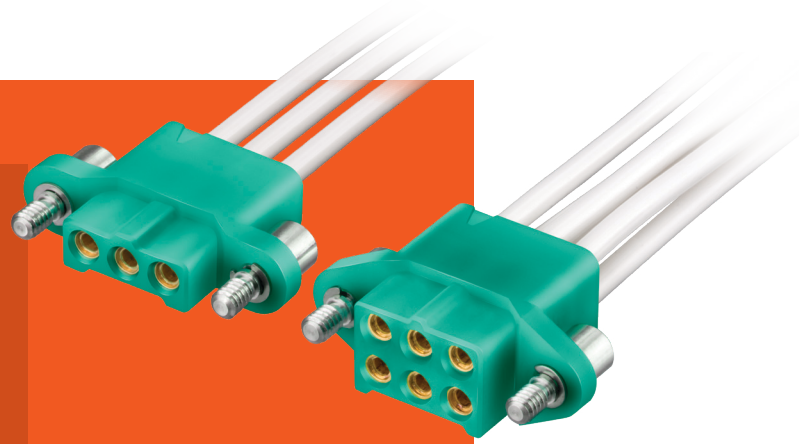


M300 Connectors

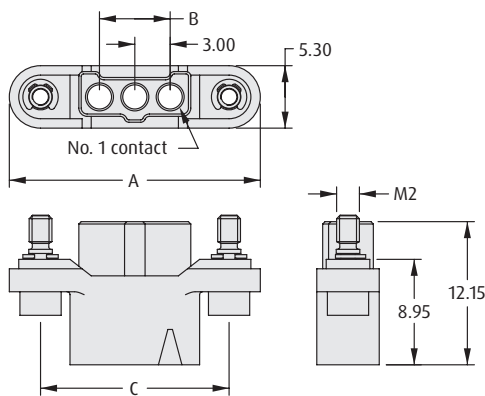
Female Cable Connector Housings

- 3 polarising points on each housing to prevent mis-mating.
- Features potting wall for extra security.
- No. 1 position identified on moulding.
- Scoop-proof contacts.
- 10A current capacity, resists high vibration and shock.
- Withstands extremes of temperature: -65°C to +175°C.

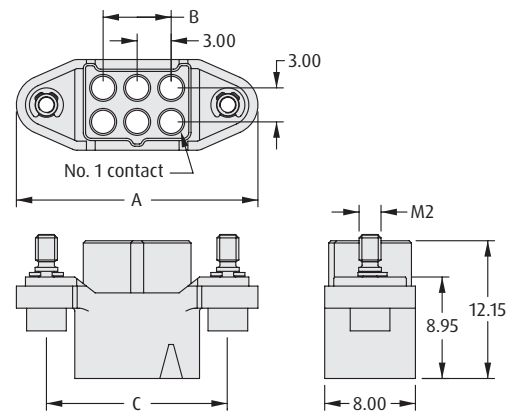


M300

SINGLE ROW



DOUBLE ROW



CALCULATION

A	$B + 15.3$
B	$3 \times (\text{No. of contacts per row} - 1)$
C	$B + 10$

TOOLS

Recommended Crimp Tool - M22520/2-01
Positioner - Z80-058
Contact Insertion/Removal Tool - Z300-902

- Female contacts shown on following pages.
- Instruction sheets available at www.harwin.com/instructions.

HOW TO ORDER

M300 - 22X XX 96 F2

SERIES CODE

TYPE

224	Double Row
225	Single Row

TOTAL NO. OF CONTACTS

03	Single Row
06, 10	Double Row

FIXING

F2	Hex Socket Jackscrew
-----------	----------------------

FINISH

96	Housing
-----------	---------

All dimensions in mm.