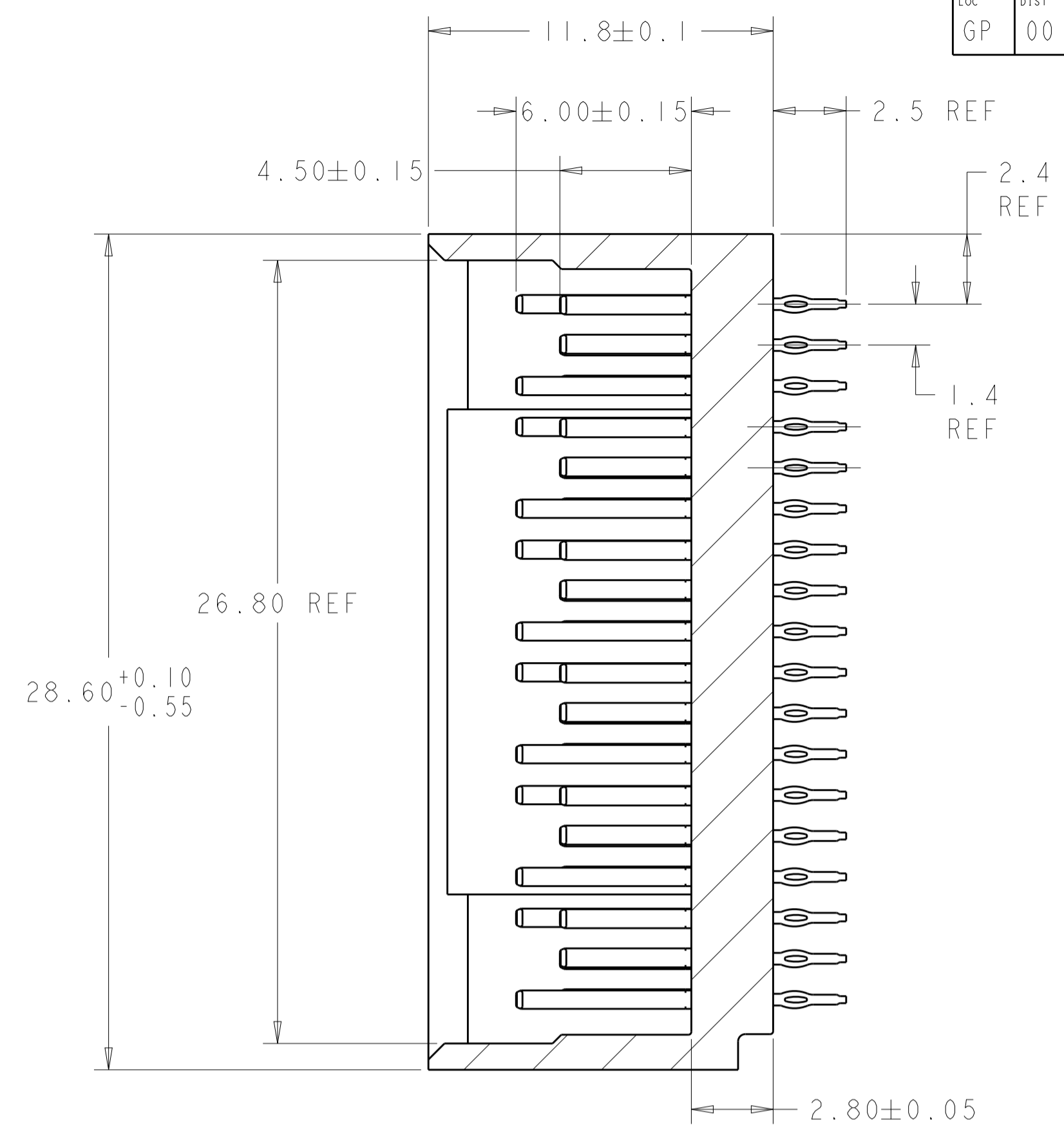
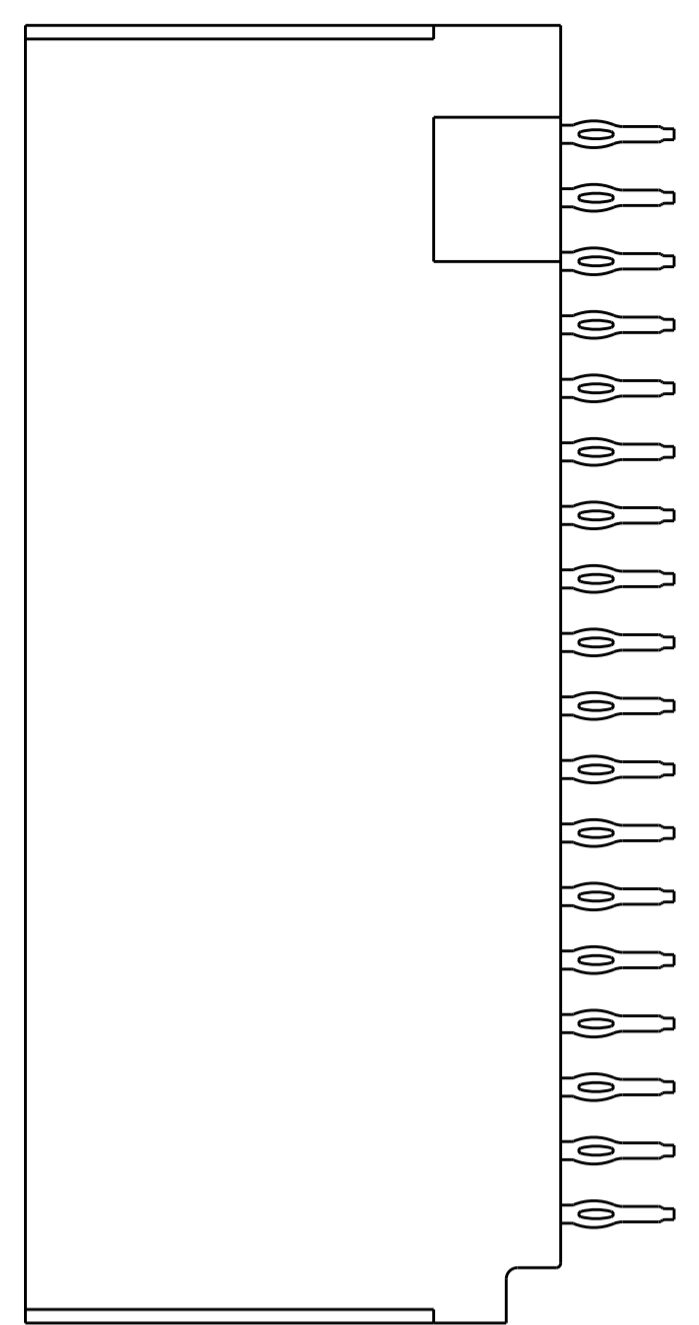
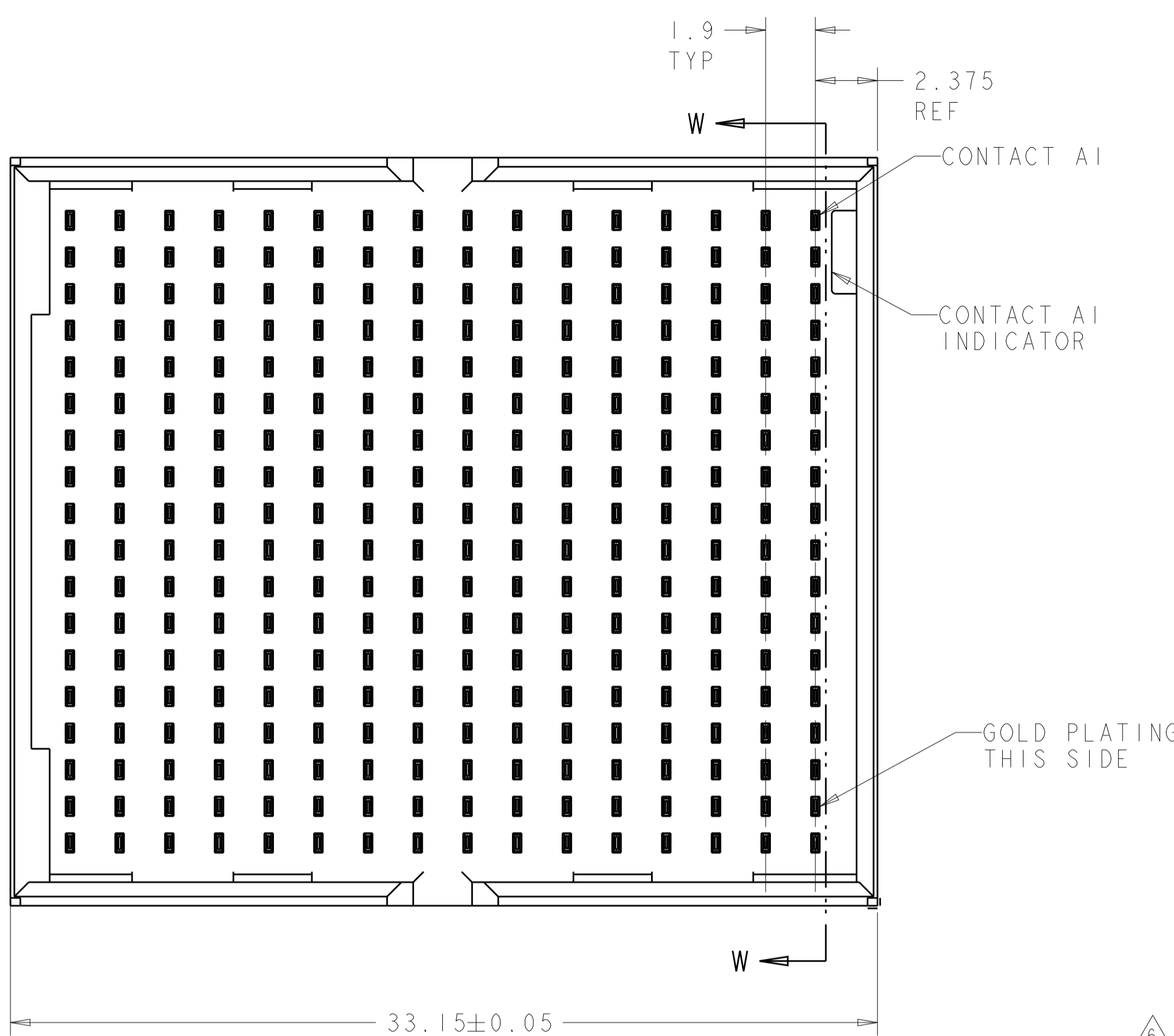
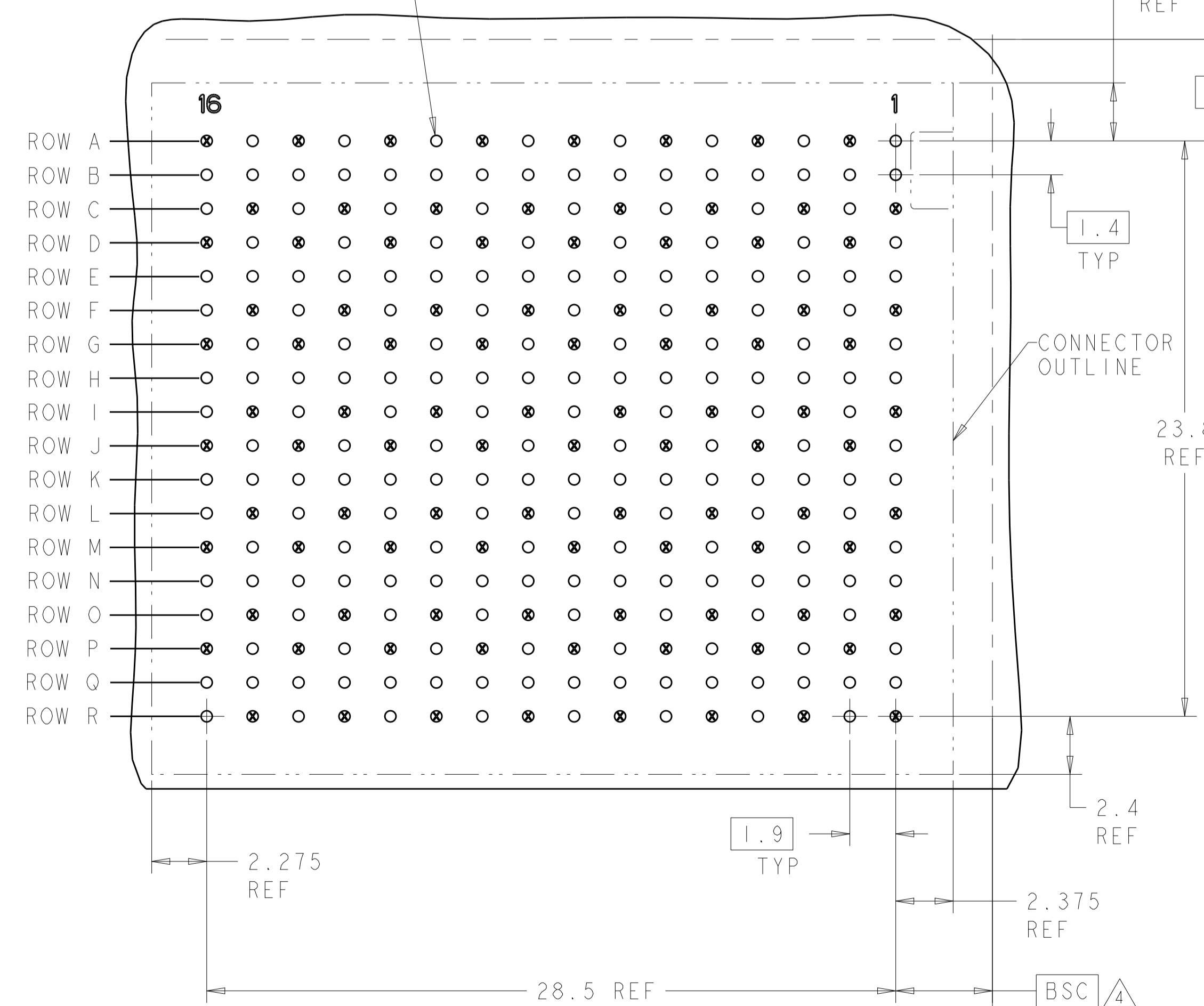


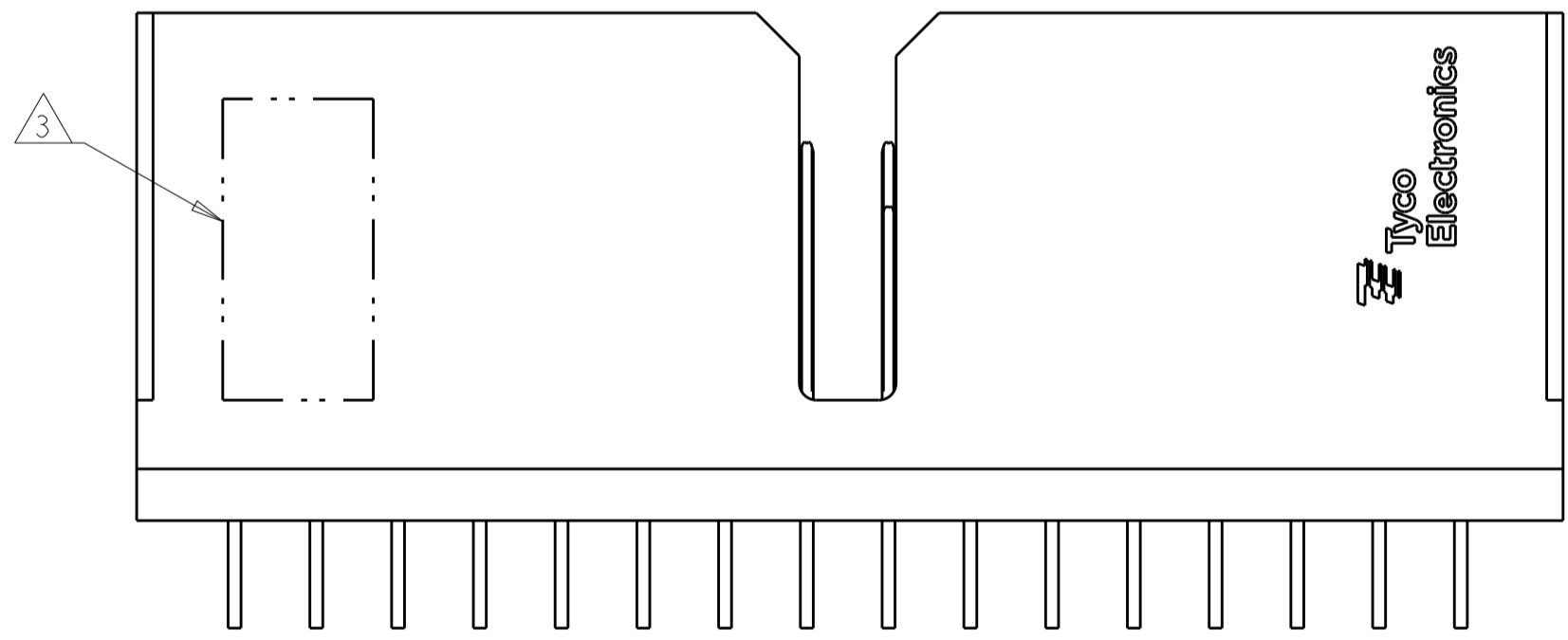
LOC	DIST	REVISIONS			
P	LTN	DESCRIPTION	DATE	DWN	APVD
D		REVISED PER ECO-13-002771	26FEB2013	KH	RP



⊕ Ⓢ Ⓜ X Y
 FINISHED HOLE SIZE AND PLATED THRU HOLES



- ⚠ MATERIAL:
CONTACT - PHOS BRONZE
HOUSING - LCP, UL 94V-0, COLOR - BLACK
- ⚠ FINISH:
CONTACT AREA FINISH CONFORMS TO THE REQUIREMENTS OF TE PRODUCT SPECIFICATION 108-2303; BASED ON TELCORDIA GR-1217-CORE FOR SYSTEM QUALITY LEVEL III, APPLICATIONS IN CONTROLLED ENVIRONMENTS (CENTRAL OFFICE). COMPLIANT PIN AREA- 0.5µm MIN MATTE TIN OVER 1.27µm MIN NICKEL.
- ⚠ CONNECTOR MARKED WITH PART NUMBER, DATE CODE AND STANDARD IN APPROXIMATE AREA SHOWN
- ⚠ DATUMS AND BASIC DIMENSIONS ESTABLISHED BY CUSTOMER.
- 5. CONTACT AREA LUBRICATED WITH BELLCORE APPROVED LUBRICANT. TECHNICAL REFERENCE GR-1217-CORE, ISSUE 1, NOVEMBER 1995.
- ⚠ REFERENCE APPLICATION SPEC 114-13202 FOR RECOMMENDED PLATED THRU HOLE DIAMETER AND PLATING THICKNESSES.



○ = SIGNAL
 ⊗ = GROUND
 RECOMMENDED PC BOARD LAYOUT BACKPLANE,
 COMPONENT SIDE SHOWN

1934519-1
 PART NUMBER

THIS DRAWING IS A CONTROLLED DOCUMENT.		DWN S. MAGARO 12JUN2008	TE Connectivity
DIMENSIONS:		CHK W. DAVIS 12JUN2008	
mm	TOLERANCES UNLESS OTHERWISE SPECIFIED:	APVD W. DAVIS 12JUN2008	NAME
0 PLC	±	PRODUCT SPEC	HEADER ASSEMBLY, DOUBLE WALL, 6 PAIR 16 COLUMN TinMan
1 PLC	±	APPLICATION SPEC	SIZE CAGE CODE DRAWING NO RESTRICTED TO
2 PLC	±	WEIGHT	A100779C=1934519
3 PLC	±	CUSTOMER DRAWING	SCALE 6:1 SHEET 1 OF 1 REV D
4 PLC	±		
ANGLES	±		