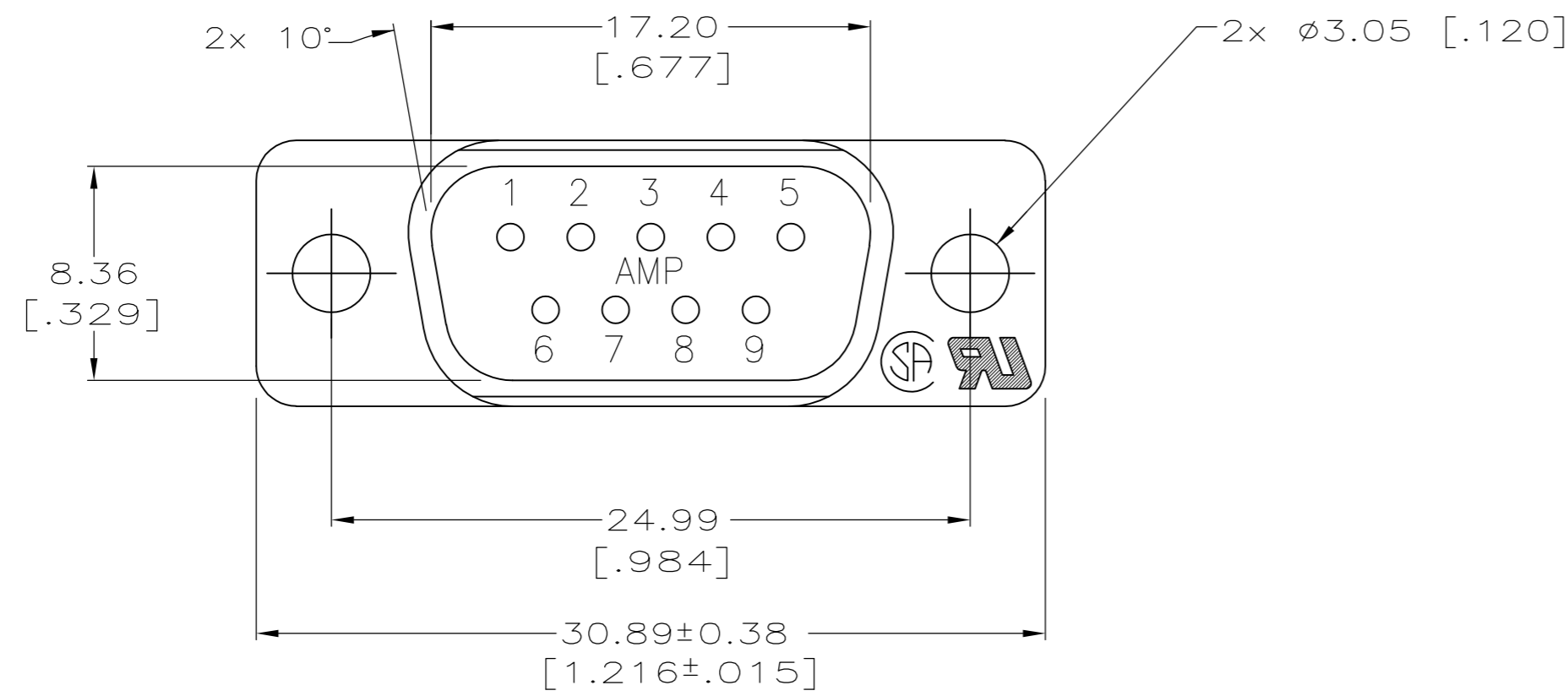
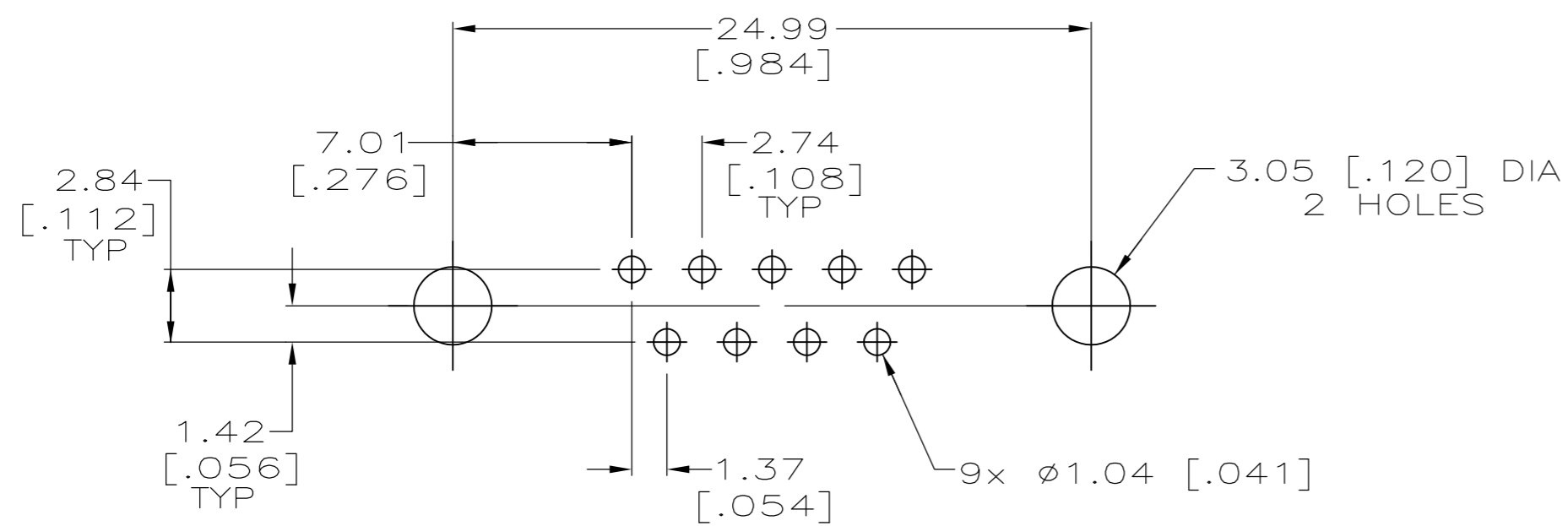
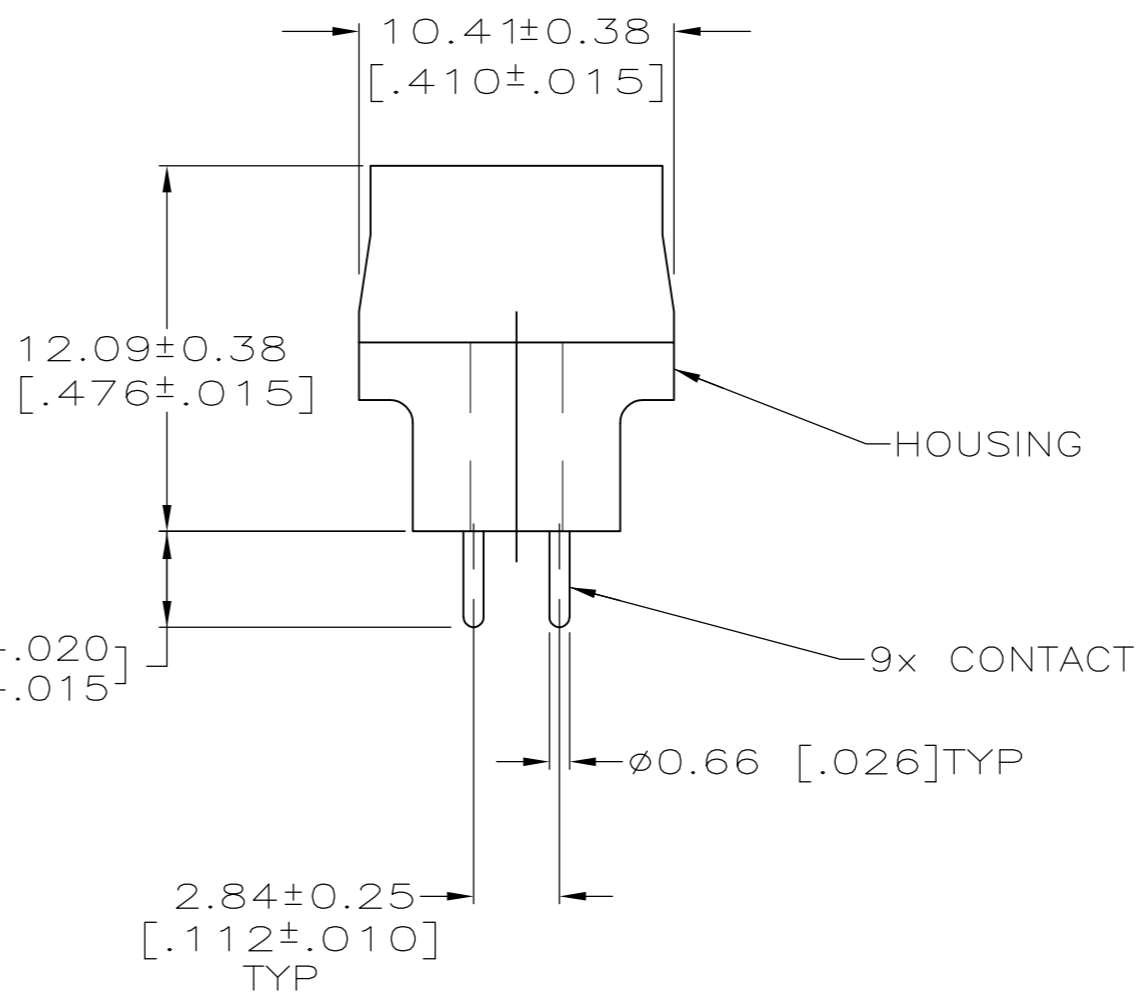
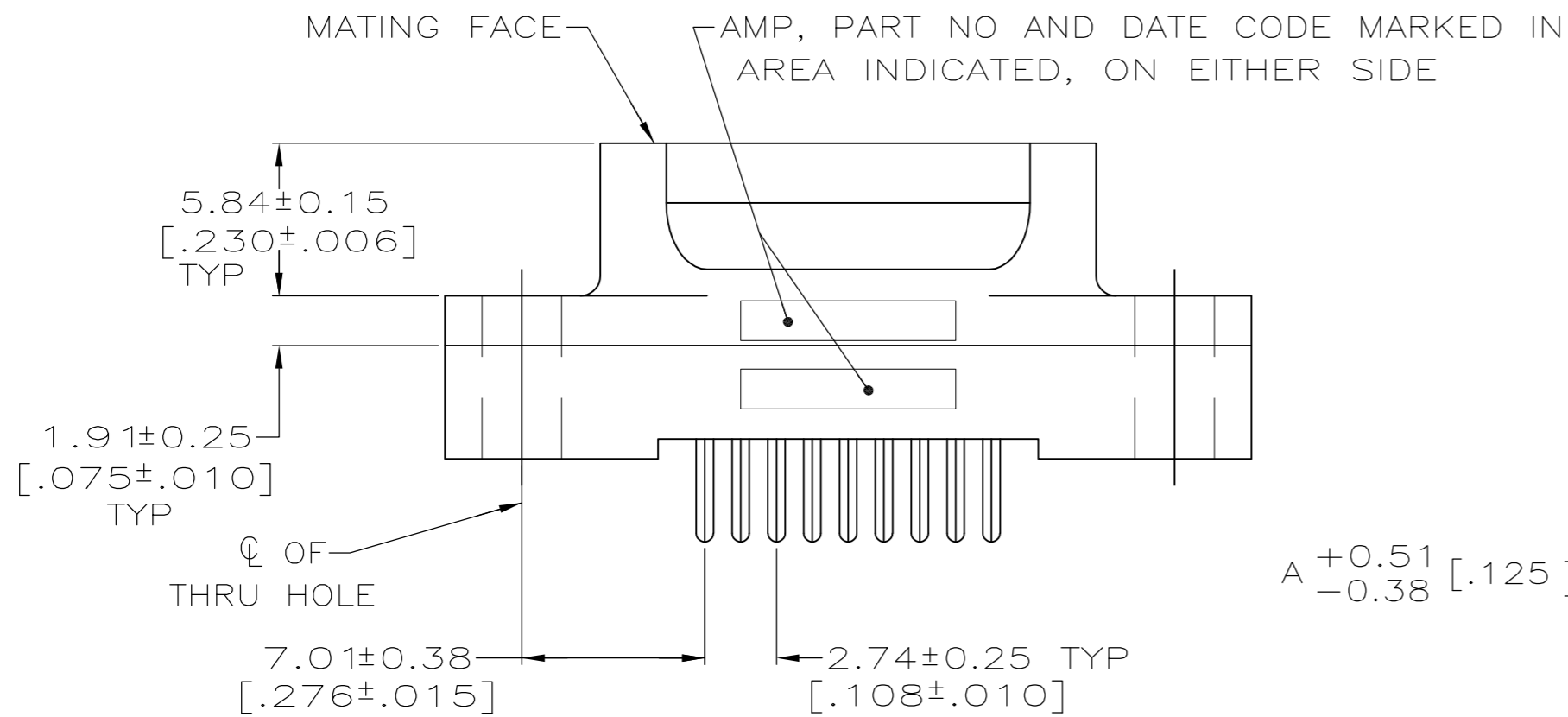


THIS DRAWING IS UNPUBLISHED. RELEASED FOR PUBLICATION
 © COPYRIGHT - By - ALL RIGHTS RESERVED.

LOC		DIST		REVISIONS			
P	LTR	DESCRIPTION	DATE	DWN	APVD		
GP	00	L1	REVISED PER ECO-11-004835	11MAR11	RK	HMR	



- ① HOUSING: BLACK POLYESTER, UL 94V-0 RATED.
CONTACTS: BRASS PER MIL-C-50.
- ② GOLD PLATED PER MIL-G-45204,
TIN PLATING PER MIL-T-10727,, BOTH OVER
NICKEL PLATING PER QQ-N-290.
- ③ GOLD PLATED FOR LENGTH OF 3.81 [.150] MIN FROM MATING END,
GOLD FLASH IN MATED AREA,
2.54µm [.000100] MIN TIN OR TIN-LEAD FOR A LENGTH OF DIMENSION A
FROM OPPOSITE END, ALL OVER
1.27µm [.000050] MIN NICKEL.
- ④ GOLD PLATED FOR LENGTH OF 3.81 [.150] MIN FROM MATING END,
0.76µm [.000030] MIN GOLD IN MATED AREA,
2.54µm [.000100] MIN TIN OR TIN-LEAD FOR A LENGTH OF DIMENSION A
FROM OPPOSITE END, ALL OVER
1.27µm [.000050] MIN NICKEL.
OR
GOLD FLASH OVER PALLADIUM NICKEL PLATED FOR LENGTH OF
3.81 [.150] MIN FROM MATING END,
0.76µm [.000030] MIN PALLADIUM NICKEL IN MATED AREA,
2.54µm [.000100] MIN TIN OR TIN-LEAD FOR A LENGTH OF DIMENSION A
FROM OPPOSITE END, BOTH OVER
1.27µm [.000050] MIN NICKEL.
- ⑤ SEE RESTRICTED CUSTOMER DRAWING: 208006-6.



RECOMMENDED PC BOARD
MOUNTING DIMENSIONS

OBSOLETE			
OBSOLETE	-	-	⑤
OBSOLETE	6.35 [.250]	③	208006-5
OBSOLETE	4.32 [.170]	③ ④	208006-4
OBSOLETE	4.32 [.170]	③ ④	208006-3
	3.18 [.125]	③ ④	208006-2
	3.18 [.125]	③	208006-1
	A	CONTACT FINISH	PART NUMBER

THIS DRAWING IS A CONTROLLED DOCUMENT.		DWN J. POLIGNONE 01FEB07	TE Connectivity	
DIMENSIONS: mm [INCHES]		CHK E. BRIANT 01FEB07	NAME	
TOLERANCES UNLESS OTHERWISE SPECIFIED:		APVD E. BRIANT 01FEB07	PRODUCT SPEC	
0 PLC ± -		108-40025		
1 PLC ± -		APPLICATION SPEC		
2 PLC ± 0.13 [.005]		SIZE		
3 PLC ± -		CAGE CODE		
4 PLC ± -		DRAWING NO		
ANGLES ± 2°		RESTRICTED TO		
FINISH		WEIGHT		
①		A2 00779 C=208006		
② ③ ④		SCALE 4:1 SHEET 1 OF 1 REV L1		
CUSTOMER DRAWING				