

REV. NO.		REVISIONS	DATE	BY	CHK
B1	REVISED	ECO-11-005140	05APR2011	RK	HMR
B2	REVISED	ECR-11-013395	29AUG2011	YN	YF
B3	REVISED	ECR-13-006139	11APR2013	TS	HY
B4	REVISED	ECR-15-005364	07APR2015	KF	RK

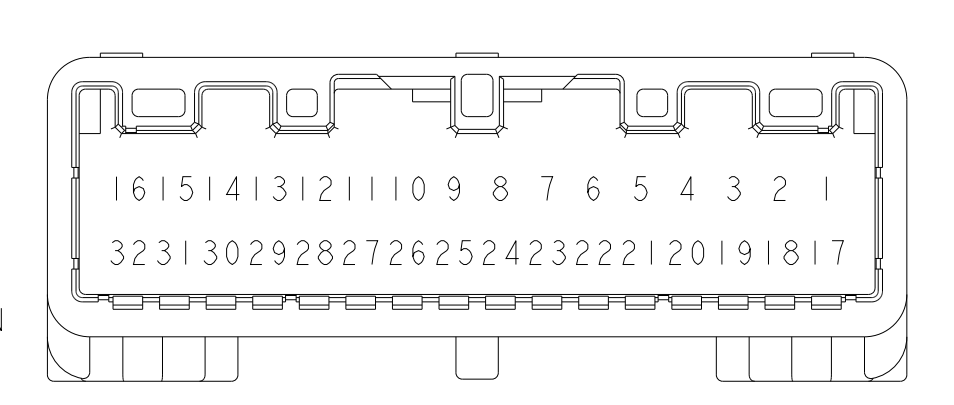
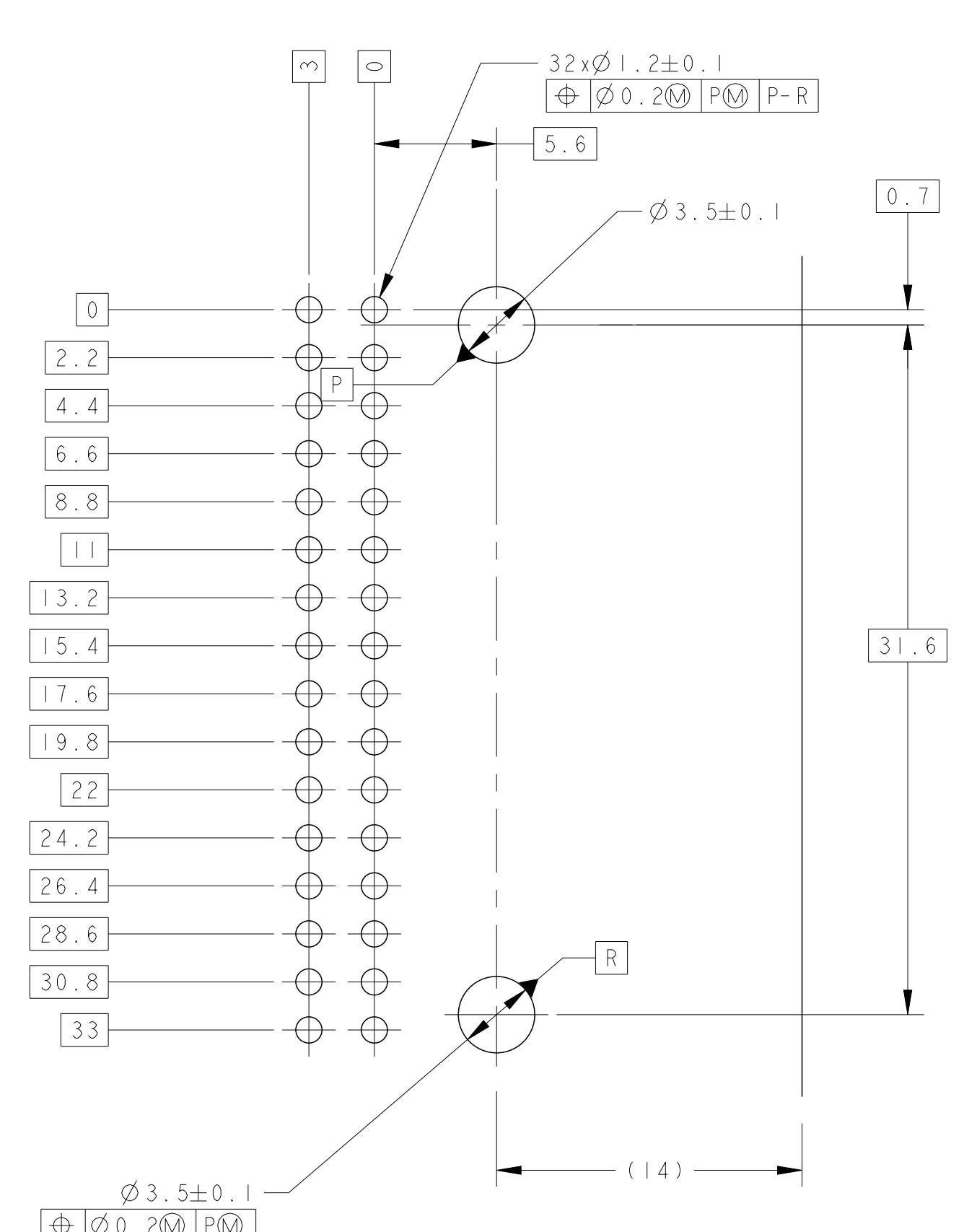
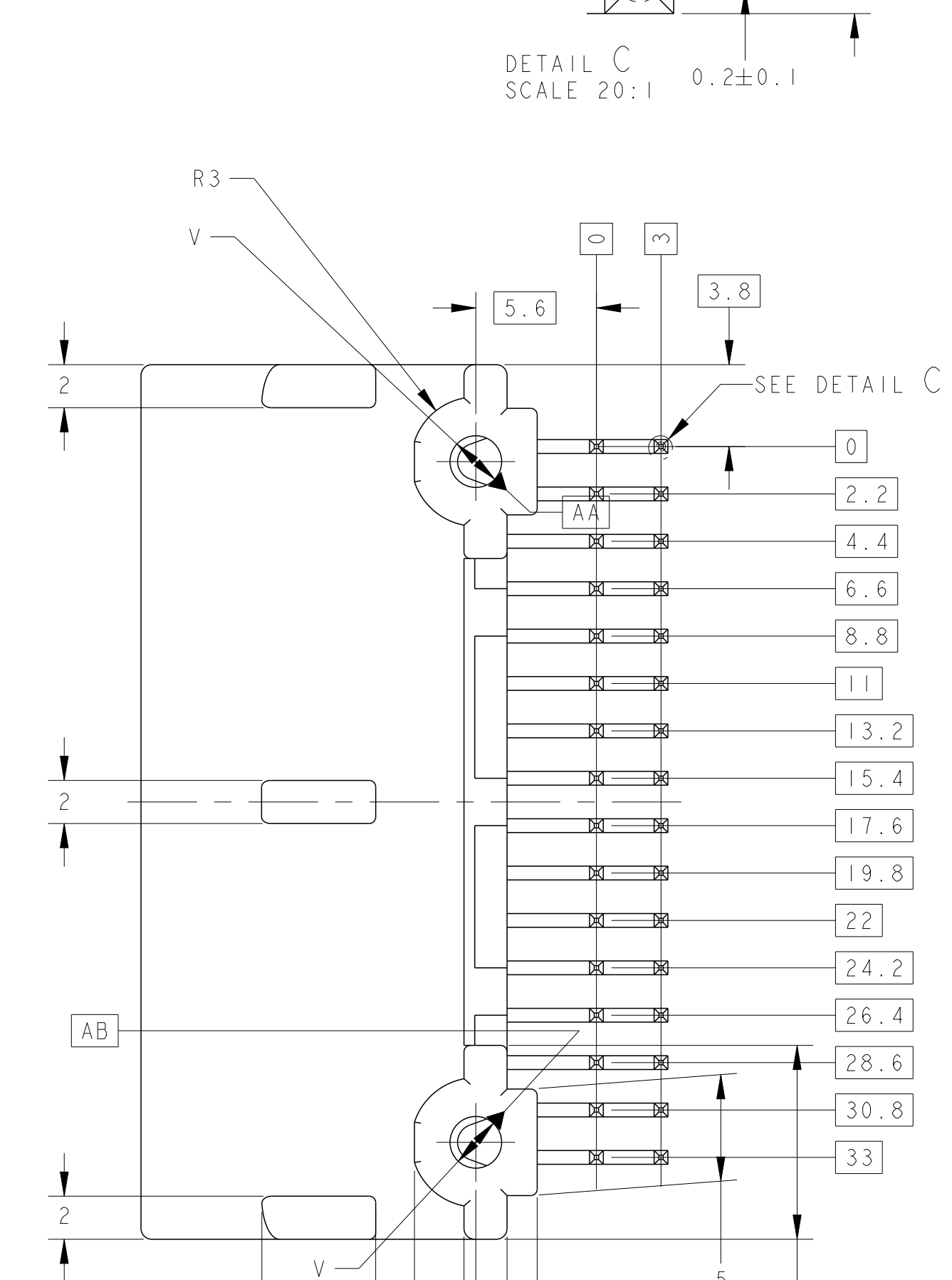
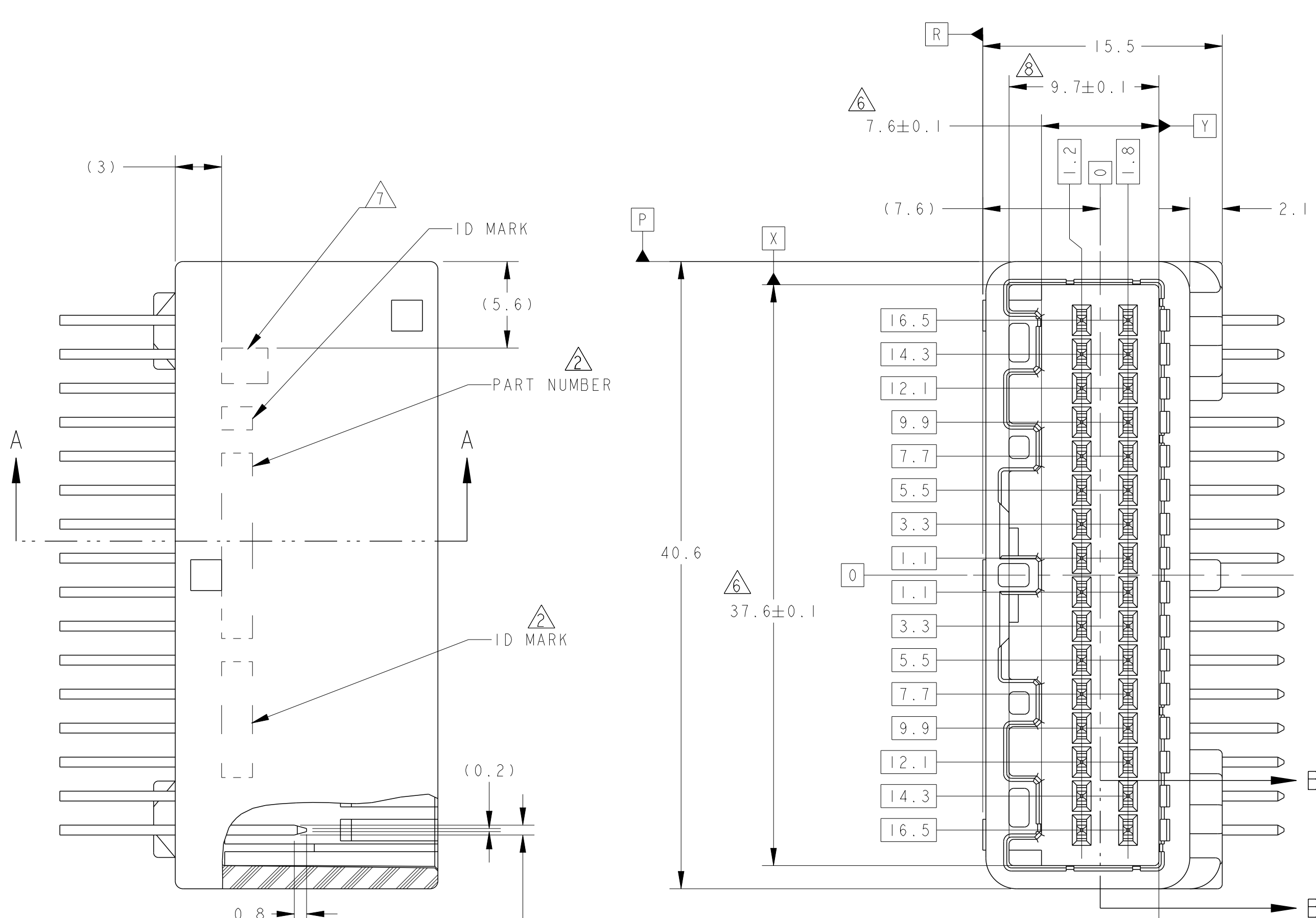


FIG.1 CONTACT COMPOSITION
 コンタクト回路構成

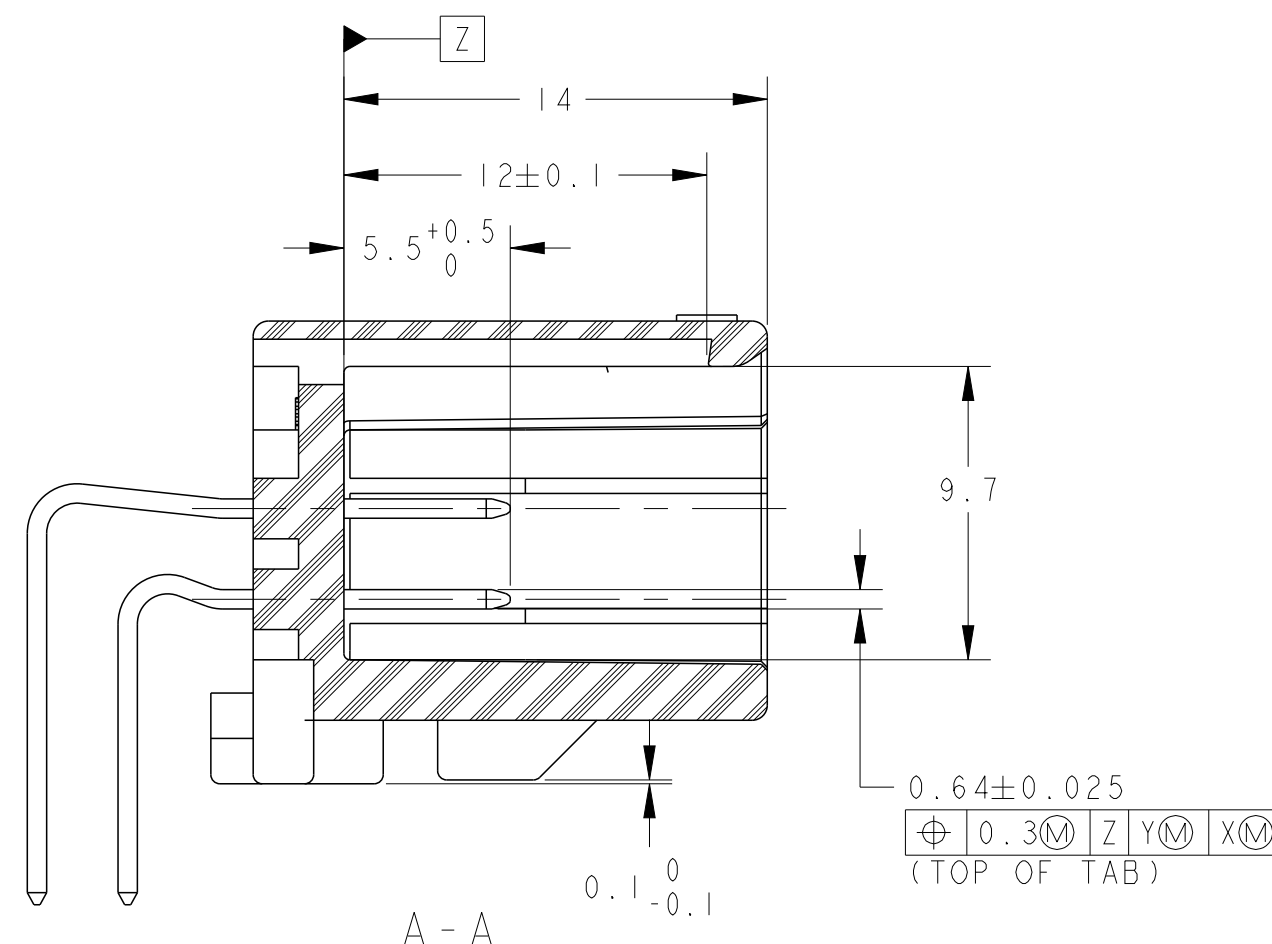
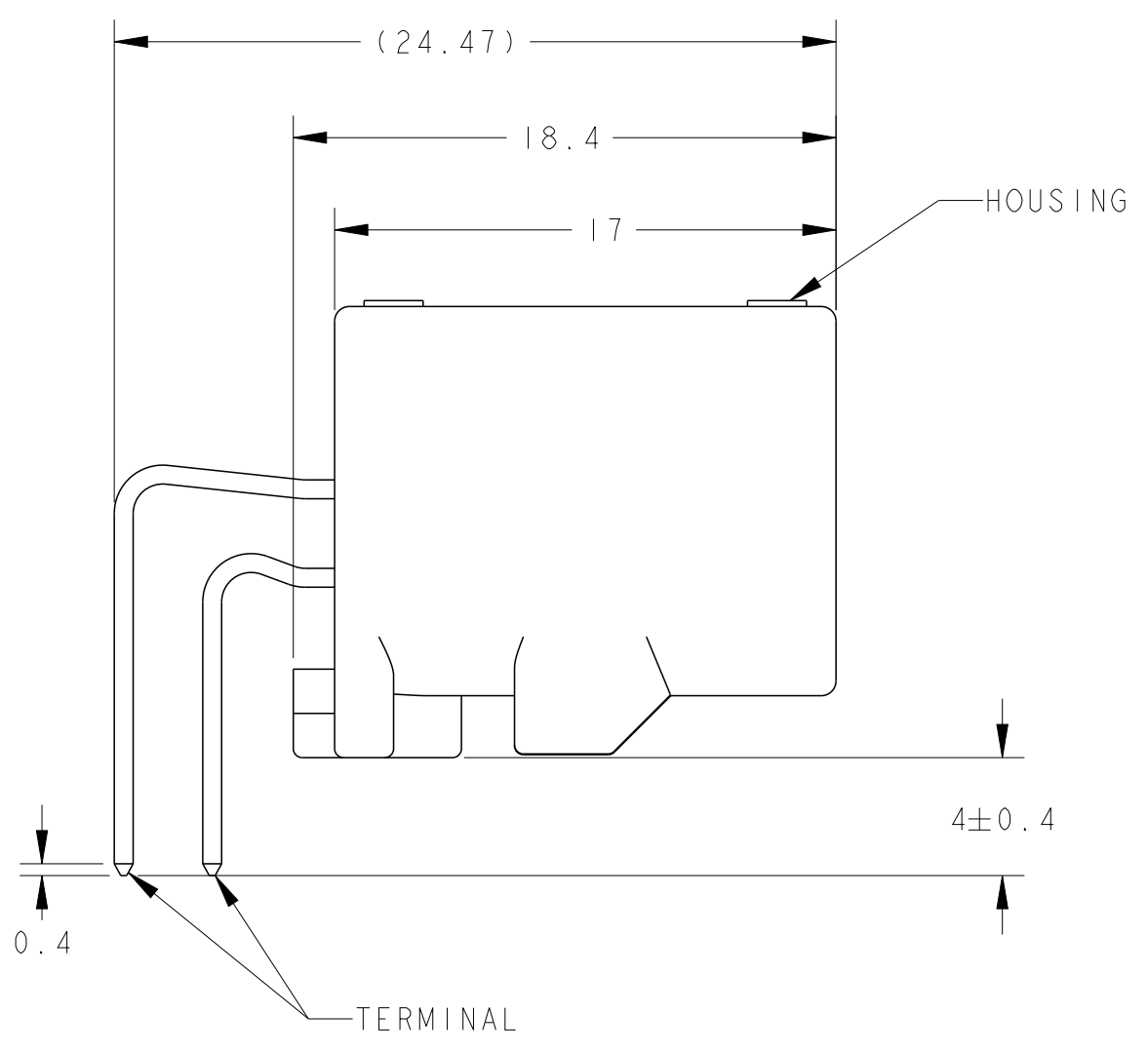


TABLE-1

POS	FEMALE HSG	メスハウジング
32	1318747	1717118

TABLE-2

THICKNESS OF PCB (mm)	1.2	1.6
NOMINAL LENGTH OF SCREW (mm)	5	6

- PLUG HOUSING TO BE MATED ; SEE TABLE-1.
- ID MARK, PART NUMBER INDICATED
- RECOMMENDED SCREW : PAN-HEADED, TYPE 2 TAPPING SCREW, NOMINAL DIAMETER 3mm LENGTH; SEE TABLE-2 (JIS B1115, B1122).
- FASTENING TORQUE FOR SCREW (FOR REFERENCE): 0.392N·m REF.
- AS FOR THE HANDLING OF THIS PRODUCT, FOLLOW THE INSTRUCTION SHEET No.: 411-5928

- 換合相手ハウジング型番: TABLE-1 参照
- ID MARK, PART NUMBER を表示
- 推奨取付ねじ: JIS B1115, B1122タッピングねじ, 6×2種, 呼び径3, 長さ: TABLE-2参照
- ねじ締めトルク (参考): 0.392N·m REF.
- 本品の取扱いについては, 取扱説明書 No.: 411-5928に従うこと

THIS DRAWING IS A CONTROLLED DOCUMENT. DIMENSIONS: mm. TOLERANCES UNLESS OTHERWISE SPECIFIED: 0-PLC ±0.1, 1-PLC ±0.1, 2-PLC ±0.1, 3-PLC ±0.1, 4-PLC ±0.1, ANGLES 10-0001 ±1°00'. MATERIAL: CONTACT: BRASS, HOUSING: SEE TABLE. FINISH: SEE TABLE. WEIGHT: SEE TABLE. CUSTOMER DRAWING: A100779. THIS DRAWING IS A CONTROLLED DOCUMENT. DWN: N. YASUDA, CHK: N. SAI, APVD: N. SAI, TOMAROO. PRODUCT SPEC: 108-5668. APPLICATION SPEC: 114-5250. SIZE: A1. CAGE CODE: 100779. DRAWING NO: 114-5250. SHEET: 1 OF 2. REV: B4. TE Connectivity. 025 SERIES 32POSITION (PCB H-TYPE) CAP HOUSING ASSEMBLY.

THIS DRAWING IS UNPUBLISHED.

RELEASED FOR PUBLICATION

2015

© COPYRIGHT 2015

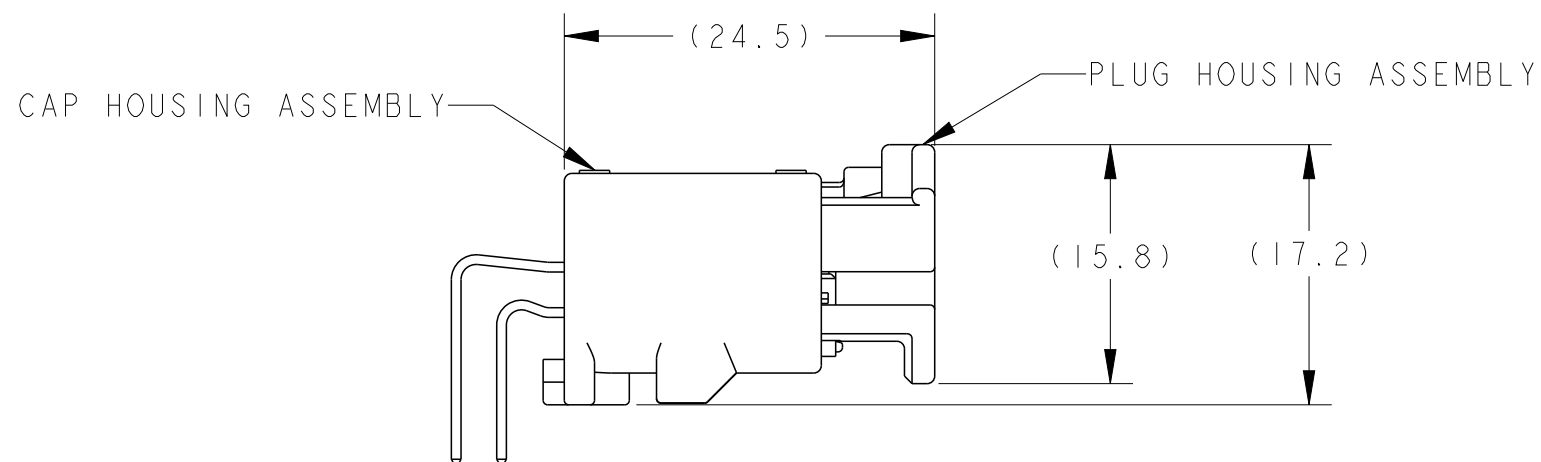
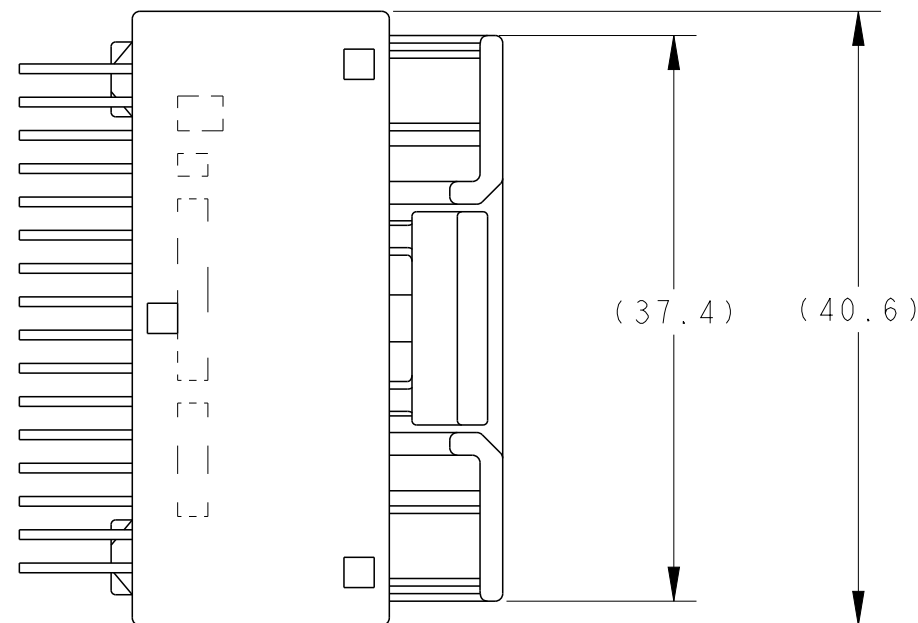
ALL RIGHTS RESERVED.

LOC
J


DIST

REVISIONS
変更

P	LTR	DESCRIPTION	DATE	DWN	APVD
	-	SEE SHEET 1	-	-	-



CAP ASSEMBLY & PLUG ASSEMBLY ENGAGEMENT DRAWING
 キャップアッセンブリ & プラグアッセンブリ 嵌合図

THIS DRAWING IS A CONTROLLED DOCUMENT.		DWN N. YASUDA	IOMAR00	 TE Connectivity
DIMENSIONS: 単位: 概 mm		CHK N. SAI	IOMAR00	
TOLERANCES UNLESS OTHERWISE SPECIFIED: 一般公差 = ± 0.3		APVD N. SAI	IOMAR00	
0 PLC ± 1 PLC ±0.1 2 PLC ±0.01 3 PLC ±0.001 4 PLC ±0.0001 ANGLES ±3'00"		PRODUCT SPEC 製品規格 SEE SHEET 1 OF 2		NAME 名称 025 SERIES 32 POSITION (PCB H-TYPE) CAP HOUSING ASSEMBLY
MATERIAL 材料 SEE SHEET 1 OF 2		APPLICATION SPEC 取付適用規格 SEE SHEET 1 OF 2		SIZE A3
FINISH 仕上 SEE SHEET 1 OF 2		WEIGHT SEE SHEET 1 OF 2		CAGE CODE 00779
		CUSTOMER DRAWING		DRAWING NO 番号 C-1318745
				RESTRICTED TO
				SCALE 尺度 2:1
				SHEET 2 OF 2
				REV B4