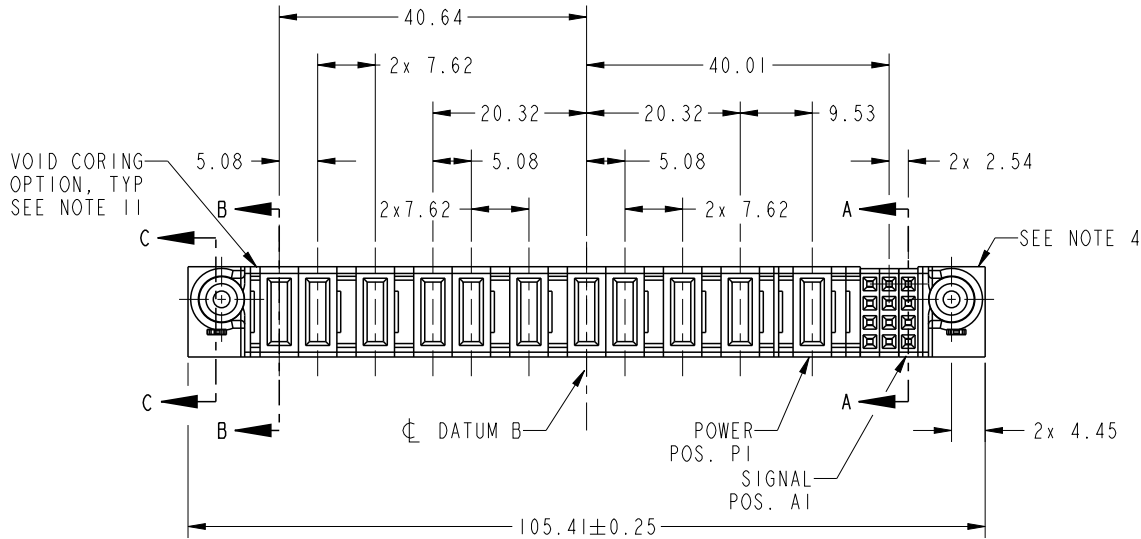


PRODUCT NO. 51940-474-- NOTE: 3	ROWS DCBA	POWER										SIGNAL			E1		
		E2	P11	P10	P9	P8	P7	P6	P5	P4	P3	P2	P1	3		2	1
		HA	PA	PA	X	PA	PA	X	PA	PA	X	PA	PA	E	E	E	HA

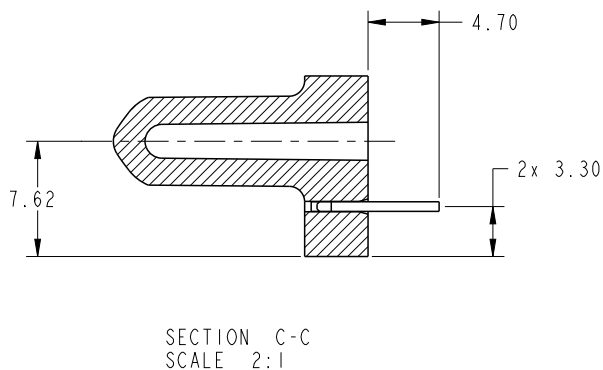
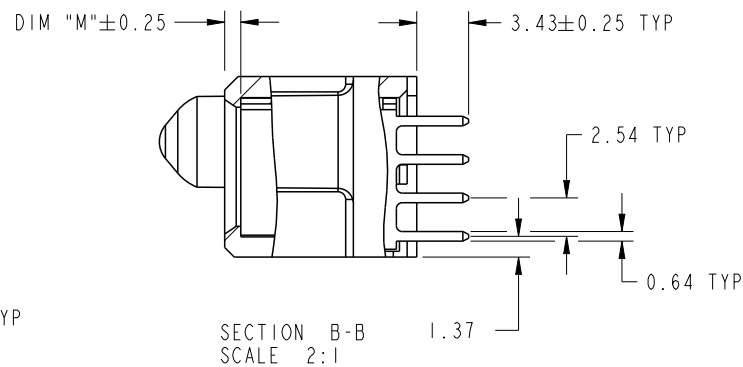
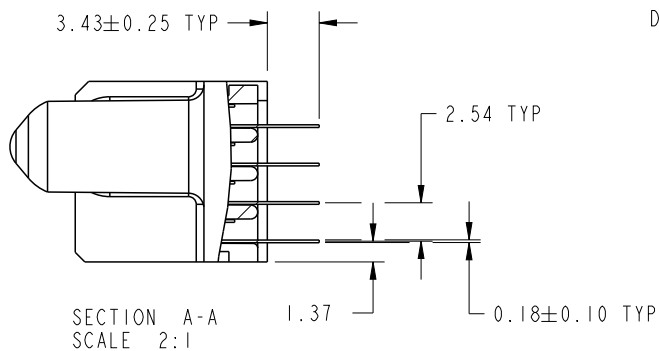


CODE	DIM "M" MATING LENGTH	CONTACT TYPE
E	[N/A]	SIGNAL
PA	[1.07]	POWER
HA	[N/A]	HOLD-DOWN
X	OMITTED	OMITTED

spec ref	*	dr	Luo Weller	2013/01/25	projection 	MM ←→	size	A4	scale	1:1
tolerance std	TOLERANCES UNLESS OTHERWISE SPECIFIED	eng	Luo Weller	2013/02/24			ecn no	-		
SEE NOTE		chr	-	-			rel level	Released		
surface	✓	appr	Pei-Ming Zheng	2013/02/24	product family	PwrBlade	rev	A		
	linear	0.X	±0.5	www.fci.com	title	12S+3ACP+2DCP+1ACP+2DCP+1ACP+2DCP	dwg no	51940-474	rev	
		0.XX	±0.25							
		0.XXX	±0.1							
	angular	0°	±2°	cat. no.	*	Product - Customer Drw	sheet 1 of 4			

PRODUCT NUMBER

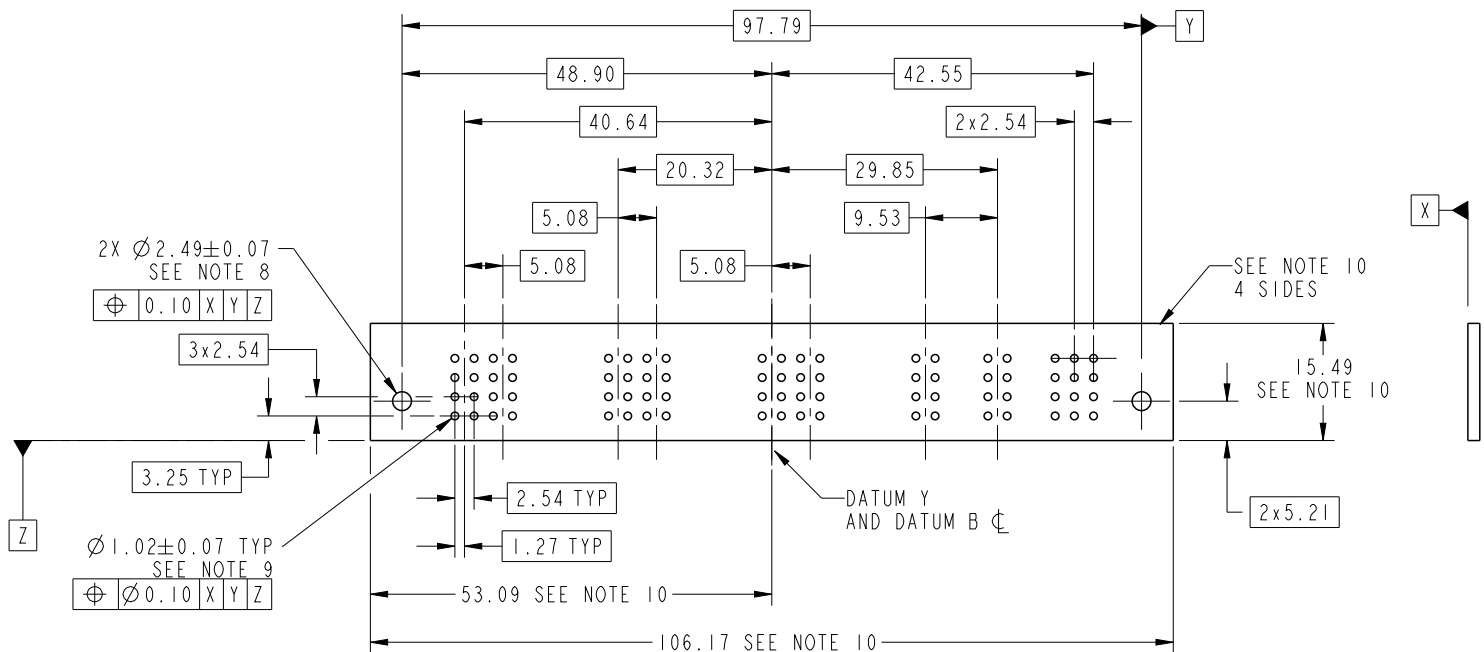
51940-474__
NOTE: 3



dr	Luo Weller	2013/01/25	projection 	MM 	size	A4	scale	1:1
eng	Luo Weller	2013/02/24			ecn no	-		
chr	-	-			rel level	Released		
appr	Pei-Ming Zheng	2013/02/24	product family	PwrBlade	rev	A		
	title	12S+3ACP+2DCP+1ACP+2DCP+1ACP+2DCP		dwg no	51940-474			
www.fci.com	cat. no.	*	Product - Customer Drw		sheet 2 of 4			

PRODUCT NUMBER

51940-474__
NOTE: 3



RECOMMENDED PCB LAYOUT

dr	Luo Weller	2013/01/25	projection 	MM 	size	A4	scale	1:1
eng	Luo Weller	2013/02/24			ecn no	-		
chr	-	-			rel level	Released		
appr	Pei-Ming Zheng	2013/02/24	product family	PwrBlade				
			title	12S+3ACP+2DCP+1ACP+2DCP+1ACP+2DCP	dwg no	51940-474	rev	A
www.fci.com			cat. no.	*	Product - Customer Drw		sheet 3 of 4	



Copyright FCI.

PRODUCT NUMBER

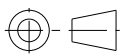
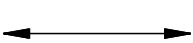

51940-474__
NOTE: 3

NOTES:

1. DIMENSIONS AND TOLERANCES ARE IN ACCORDANCE WITH ASME Y14.5M, 1994 UNLESS OTHERWISE SPECIFIED.

CONNECTOR NOTES:

- 2 HOUSING MATERIAL: UL 94 V-0 GLASS FILLED HIGH-TEMP THERMOPLASTIC
POWER CONTACT MATERIAL: COPPER ALLOY
SIGNAL PIN MATERIAL: COPPER ALLOY
- 3. SEE ITEM 5 & 6 IN PRINT 10064183 FOR PLATING SPEC OF 51940-474 AND 51940-474LF RESPECTIVELY.
- 4 MANUFACTURER'S NAME, DATE CODE AND OPTIONAL P/N TO APPEAR ON THIS SURFACE. THE MARK CAN BE OMITTED IF THERE IS NOT ENOUGH SPACE ON THIS SURFACE.
- 5. PRODUCT SPECIFICATION GS-12-149.
APPLICATION SPECIFICATION BUS-20-067.
- 6. PACKAGED IN TRAYS.
- PCB NOTES:
- 7. ALL HOLE DIAMETERS ARE FINISHED HOLE SIZE.
- 8 MOUNTING HOLES, WHERE APPLICABLE, ARE UNPLATED.
- 9 $\varnothing 1.151 \pm 0.025$ DRILLED HOLES PLATED WITH
0.008 MIN SnPb OR Sn OVER 0.03
TO 0.08 Cu PLATING TO ACHIEVE
 $\varnothing 1.02 \pm 0.07$ HOLE.
- 10 CONNECTOR KEEP-OUT ZONE.
- 11. THE VOID CORING IN BETWEEN POWER MODULES, SIGNAL MODULES AND END MODULES ARE OPTIONAL AND THE SHAPE MAY BE DIFFERENT FOR OPTIMIZE THE MOLDING PROCESS. THE VOID CORING WILL NOT EFFECT TO PRODUCT FUNCTION.

dr	Luo Weller	2013/01/25	projection 	MM 	size	A4	scale	1:1
eng	Luo Weller	2013/02/24			ecn no	-		
chr	-	-			product family	PwrBlade	rel level	Released
appr	Pei-Ming Zheng	2013/02/24			title 12S+3ACP+2DCP+1ACP+2DCP+1ACP+2DCP VERTICAL SOLDER RECEPT	dwg no 51940-474	rev A	
www.fci.com		cat. no.	*	Product - Customer Drw		sheet 4 of 4		