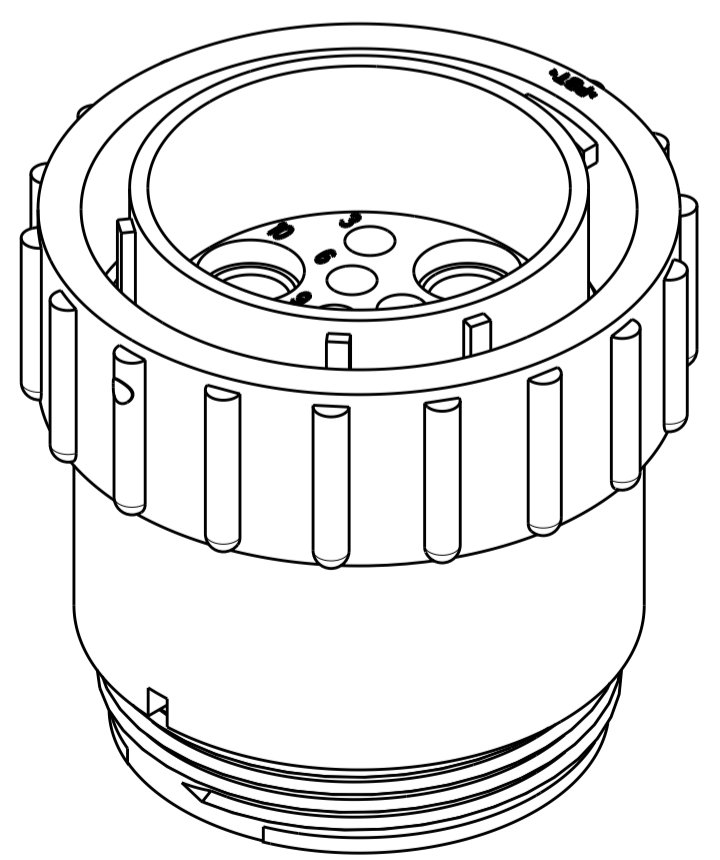
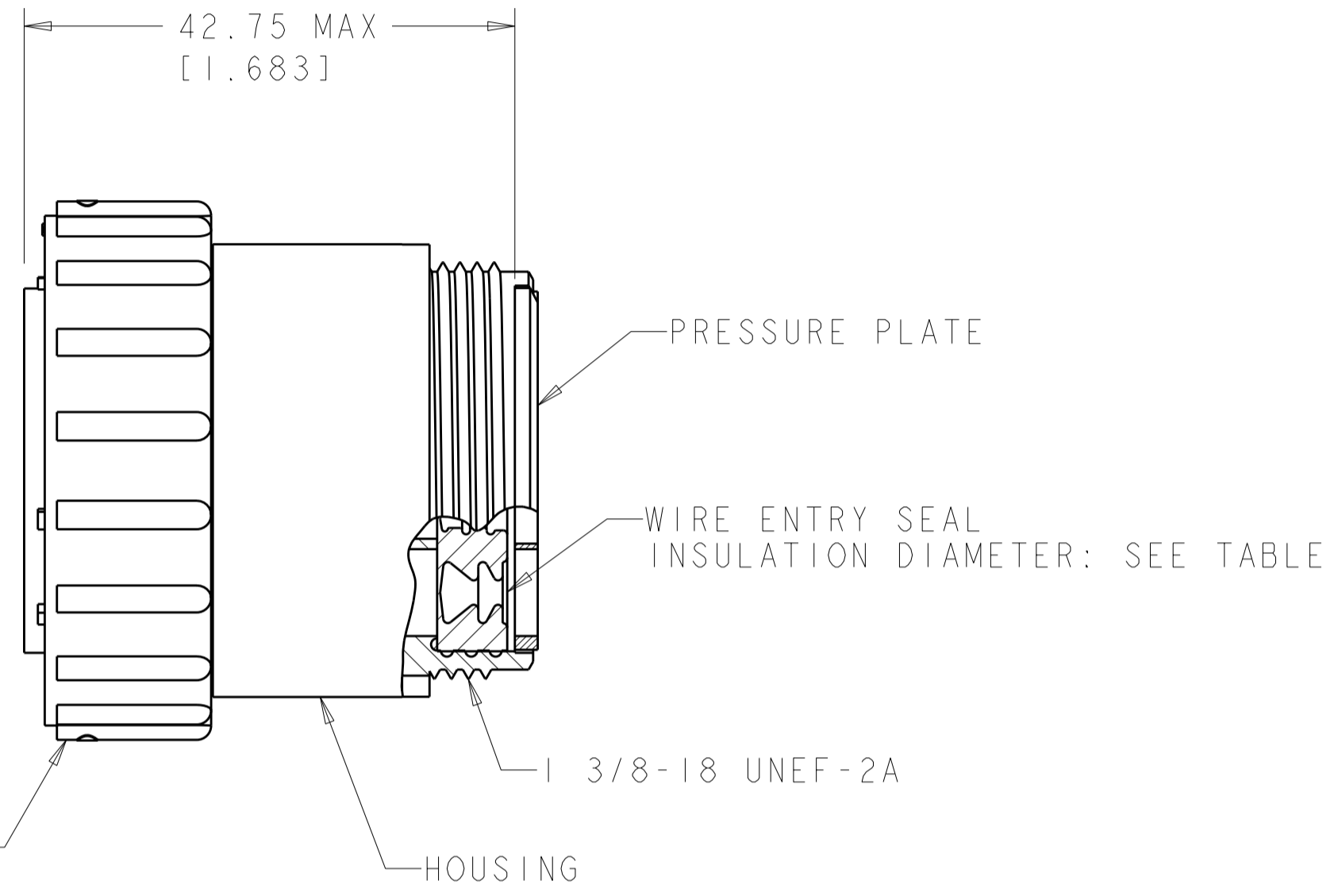
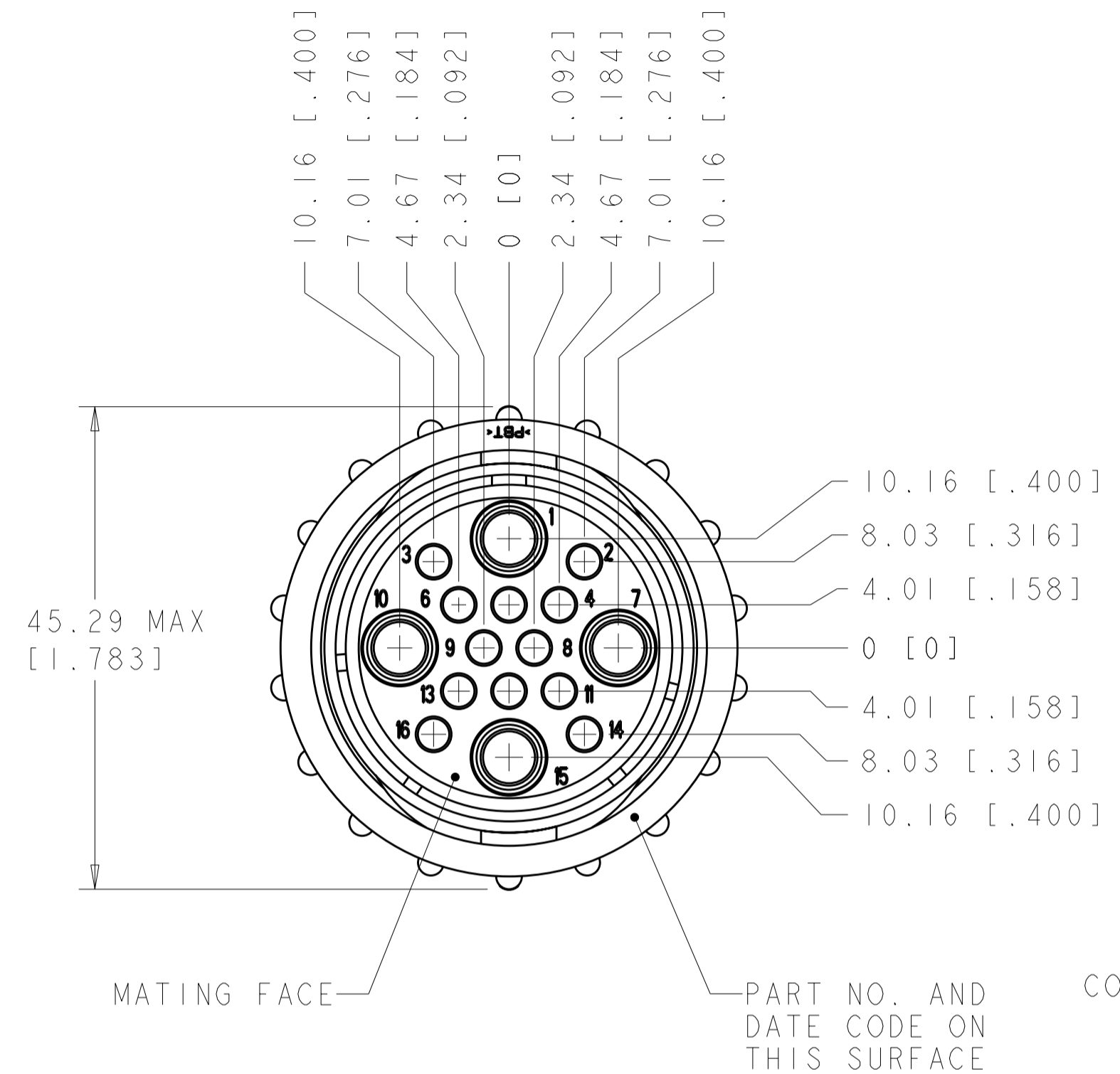


THIS DRAWING IS UNPUBLISHED. RELEASED FOR PUBLICATION  
 © COPYRIGHT 20 BY TYCO ELECTRONICS CORPORATION. ALL INTERNATIONAL RIGHTS RESERVED.

| REVISIONS |     |                           |           |     |      |
|-----------|-----|---------------------------|-----------|-----|------|
| P         | LTR | DESCRIPTION               | DATE      | DWN | APVD |
| B         |     | REVISED PER ECO-11-002844 | 10FEB2011 | HMR | MG   |



⚠ HOUSING & PRESSURE PLATE: NYLON, BLACK.  
 WIRE ENTRY SEAL: ELASTOMER, RED-IRON OXIDE.  
 COUPLING RING: POLYESTER, BLACK.  
 2. WILL ACCEPT (12) MULTIMATE PINS AND (4) POWER MALE CONTACTS.

|             |                |             |
|-------------|----------------|-------------|
| PRELIMINARY | .150-.265      | 796332-2    |
|             | .095-.205      | 796332-1    |
|             | INSULATION DIA | PART NUMBER |

|   |  |                            |  |  |
|---|--|----------------------------|--|--|
| THIS DRAWING IS A CONTROLLED DOCUMENT FOR TYCO ELECTRONICS CORPORATION. IT IS SUBJECT TO CHANGE AND THE CONTROLLING ENGINEERING ORGANIZATION SHOULD BE CONTACTED FOR THE LATEST REVISION. |  | DWN<br>S. WELDON 13DEC1999 | AMP Incorporated<br>Harrisburg, PA 17105-3608  |  |
| DIMENSIONS:<br>mm [INCHES]  |  | CHK<br>J. ENGLE 13DEC1999  | NAME<br>PLUG ASSEMBLY, SERIES 6,<br>REVERSE SEX, SIZE 23-16,<br>CIRCULAR PLASTIC CONNECTOR |  |
| TOLERANCES UNLESS OTHERWISE SPECIFIED:  |  | APVD<br>J. ENGLE 13DEC1999 |  |  |
| 0 PLC ±   |  | PRODUCT SPEC               | SIZE   |  |
| 1 PLC ±   |  | 108-1579                   | CAGE CODE  |  |
| 2 PLC ±0.02   |  | APPLICATION SPEC           | DRAWING NO   |  |
| 3 PLC ±   |  | WEIGHT                     | RESTRICTED TO  |  |
| 4 PLC ±   |  | -                          | A200779C-796332  |  |
| ANGLES ±  |  | CUSTOMER DRAWING           | SCALE 2:1 SHEET 1 OF 1 REV B   |  |
| FINISH  |  |                            |  |  |