

NOTES:

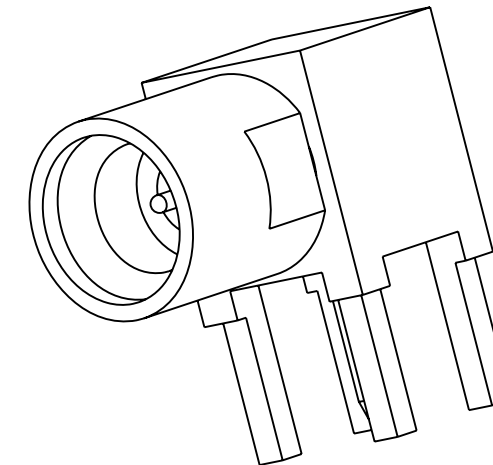
1. MATERIALS AND FINISHES:
 BODY & REAR BODY - BRASS, GOLD PLATING
 CONTACT - BeCu, GOLD PLATING
 INSULATOR - PTFE, NATURAL
2. ELECTRICAL:
 A. IMPEDANCE : 50 OHM
 B. FREQUENCY RANGE: DC - 40 GHz
 C. VSWR : 1.15:1 MAX @ DC - 10 GHz
 1.25:1 MAX @ 10 GHz - 26.5 GHz
 1.60:1 MAX @ 26.5 GHz - 40 GHz
 D. DIELECTRIC WITHSTANDING VOLTAGE: 500 VRMS, MIN.
3. MECHANICAL:
 A. DURABILITY: 100 CYCLES MIN.
 B. TEMPERATURE RANGE: -65°C TO +165°C
4. PACKAGING:
 A. QUANTITY: SINGLE PACK
 B. MARKING: BAG TO BE MARKED
 "AMPHENOL RF, 925-139J-51P, AND DATE CODE"

THIRD ANGLE PROJ.

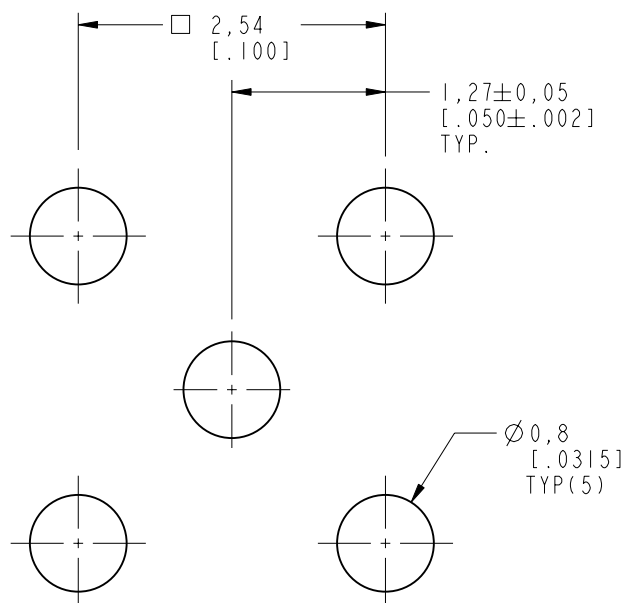
REVISIONS

REV	DESCRIPTION	DATE	ECO	APPR
A	RELEASE TO MFG.	28-Mar-17	03282	SS

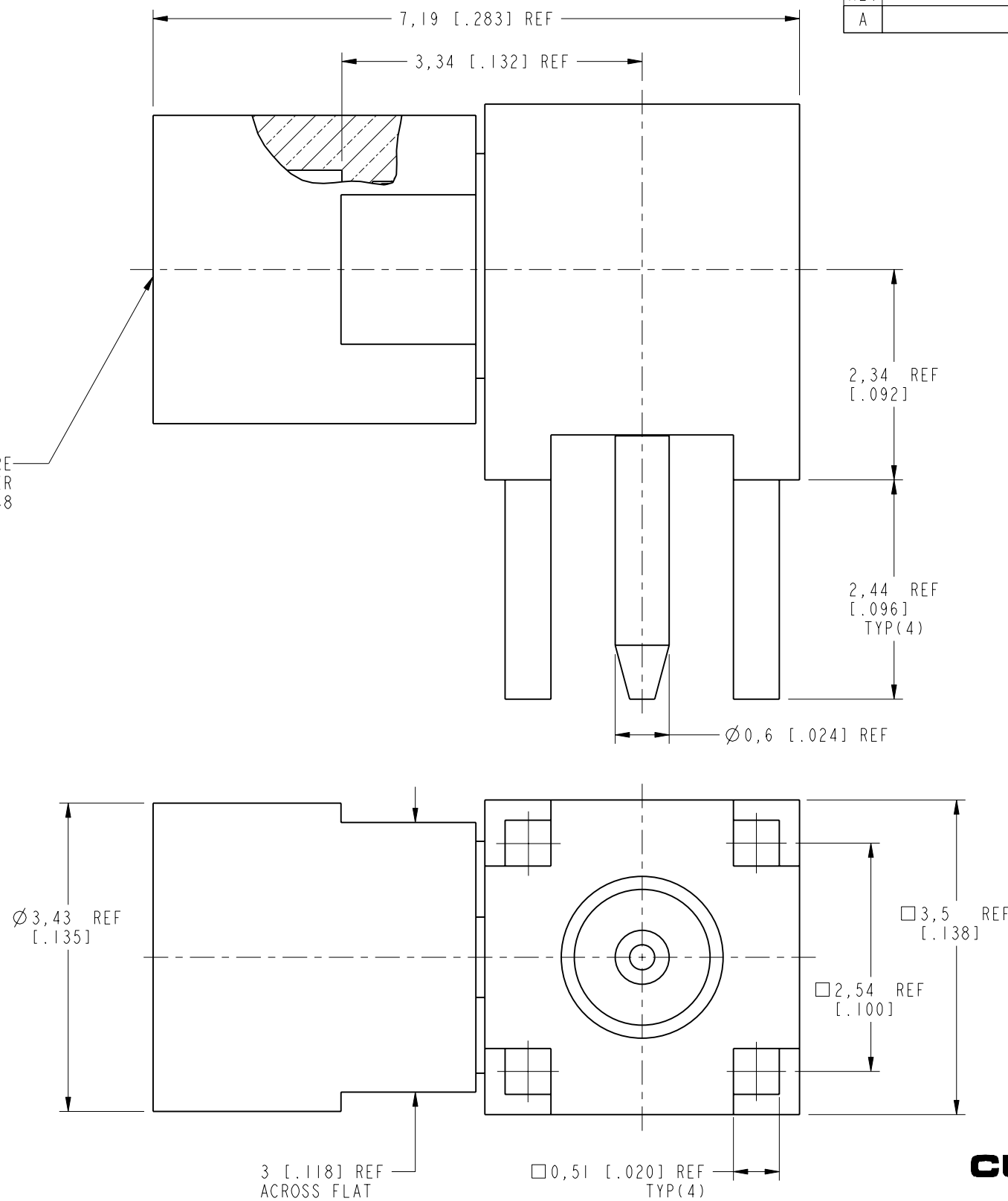
SMPM SMOOTH BORE
 INTERFACE PER
 MIL-STD-348



SCALE 8.000



RECOMMENDED MOUNTING HOLE DIMENSIONS



CUSTOMER OUTLINE DRAWING

ALL OTHER SHEETS ARE FOR INTERNAL USE ONLY

UNLESS OTHERWISE SPECIFIED, DIMENSIONS ARE IN METRIC AND TOLERANCES ARE: <0.5mm ±0.05mm 0.5 - 6mm ±0.1mm 6 - 30mm ±0.2mm 30 - 120mm ±0.3mm ANGLES ±1°	MATERIAL	DRAWN	DATE	TITLE SMPM JACK R/A SMOOTH BORE PCB MOUNT		Amphenol RF www.amphenolrf.com		
	SEE NOTES	M. ZHANG	28-Mar-17					DRAWING NO. 925-139J-51P
NOTICE - These drawings, specifications, or other data (1) are, and remain the property of Amphenol corp. (2) must be returned upon request; and (3) are confidential and not to be disclosed to any person other than those to whom they are given by Amphenol Corp. the furnishing of these drawings, specifications, or other data by Amphenol Corp., or to any other person to anyone for any purpose is not to be regarded by implication or otherwise in any manner licensing, granting rights to permitting such holder or any other person to manufacture, use or sell any product, process or design, patented or otherwise, that may in any way be related to or disclosed by said drawings, specifications, or other data.	REFERENCE	ENGINEER	DATE	SCALE: 16.0:1.0		SHEET 2 OF 2		
	EAR: 7105	KARTHIK R	23-Aug-13	DWG SIZE		REV		
	CONFIGURATION LEVEL: In Work	APPROVED	S. HSIEH	DATE	B		A	
	FINISH	CAD FILE	30-Mar-17			PART NO. 925-139J-51P		