



Analog Grayscale Sensor V2 SKU:DFR0022



Analog Grayscale Sensor V2

Contents

- [1 Introduction](#)
- [2 Specification](#)
- [3 Connection Diagram](#)
- [4 Sample Code](#)

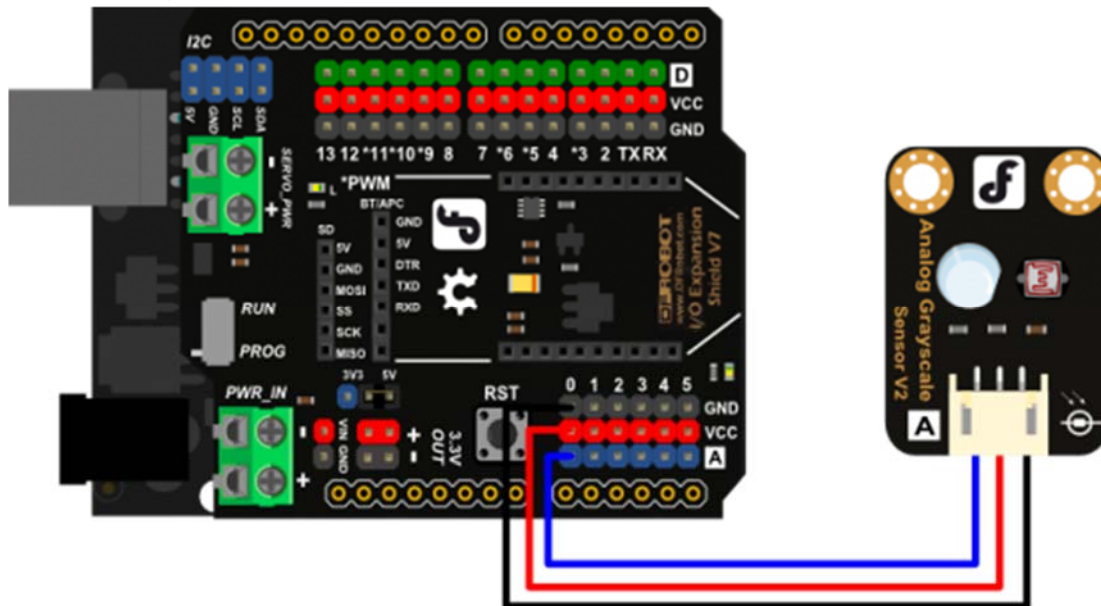
Introduction

Here comes DFRobot's new Analog Ambient Light Sensor. Brand new design and much more convenient to use. This module helps you to detect the light density and reflect the analog voltage signal back to an Arduino controller. You can set the threshold of voltage level to trigger motors, relays or other actuators.

Specification

- Supply Voltage: 3.3V to 5V
- Interface: Analog
- Size: 22x30mm

Connection Diagram



Sample Code

```
void setup()  
{  
  Serial.begin(9600); // open serial port, set the baud rate to 9600 bps  
}  
void loop()  
{  
  int val;  
  val=analogRead(0); //connect grayscale sensor to Analog 0  
  Serial.println(val,DEC); //print the value to serial  
  delay(100);  
}
```