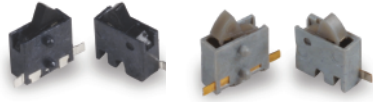


HDS Series Micro Mini Side Actuated Surface Mount Detect Switches



Features/Benefits

- Low profile package sits just 1.4 mm off PCB
- Design allows top or side actuation
- Right and left options available
- Low actuation force, 30 grams max.
- Pick and place compatible, available in tape & reel packaging
- RoHS compliant and compatible

Typical Applications

- Consumer electronics
- Computers
- Medical devices
- Mobile Communications
- ATCA and MicroTCA devices

Specifications

CONTACT RATING: 1 mA 5 VDC
 MECHANICAL AND ELECTRICAL LIFE: 100,000 cycles min.
 CONTACT RESISTANCE: 1 Ω max. initial.
 INSULATION RESISTANCE: 100 M Ω min. between adjacent contacts.
 OPERATING TEMPERATURE: -40°C to + 80°C
 STORAGE TEMPERATURE: -40°C to + 80°C
 PACKAGING: tape & reel; 5,000 per reel.
 TRAVEL:
 Pre-travel: .17 mm min.
 Overtravel: .5 mm min.
 Total: 1.07 mm

Materials

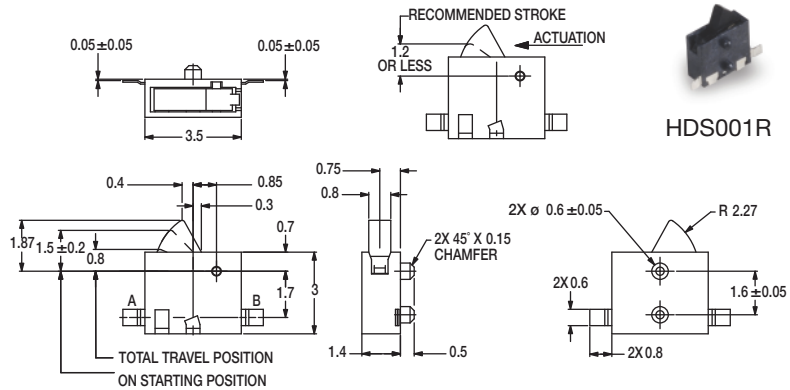
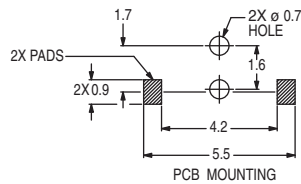
BASE: LCP HDS001L: Gray HDS001R: Black
 COVER: PA 46 (UL94V-0)
 ACTUATOR: PA 46 (UL94V-0) HDS001L: Gray HDS001R: Black
 MOVABLE BLADE: Stainless Steel, Ag over Ni plating.
 TERMINALS: Phosphor Bronze, Ag plating.

NOTE: Specifications and materials listed above are for switches with standard options. For information on specific and custom switches, consult Customer Service Center.

Build-A-Switch

Complete part numbers for HDS Series are shown below.

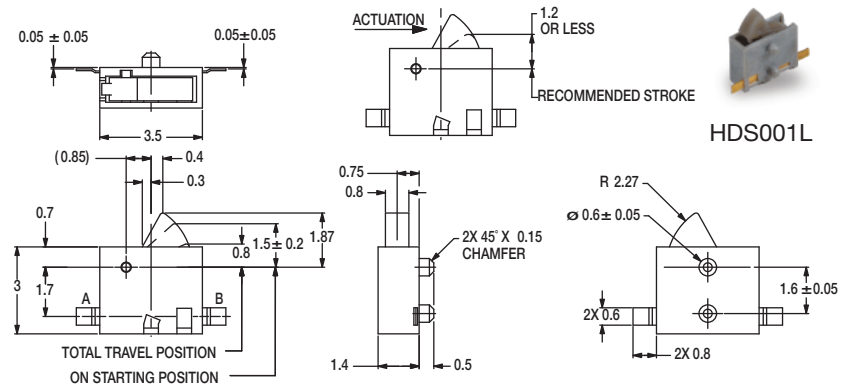
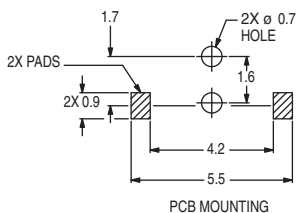
| PART NUMBER | PACKAGING | SCHEMATIC |
|----------------|-------------|-----------|
| HDS001R | TAPE & REEL | N.O. |



HDS001R

HDS001L

| PART NUMBER | PACKAGING | SCHEMATIC |
|----------------|-------------|-----------|
| HDS001L | TAPE & REEL | N.O. |



Third Angle Projection

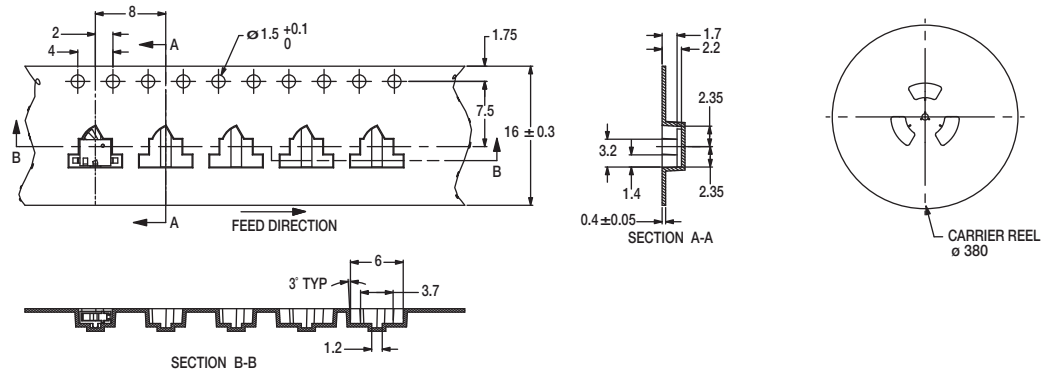
Dimensions are shown: mm
 Specifications and dimensions subject to change



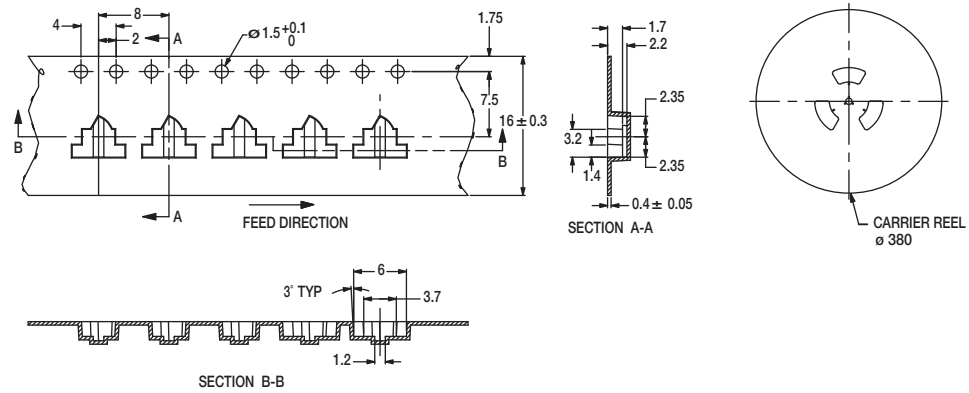
HDS Series Micro Mini Side Actuated Surface Mount Detect Switches

TAPE & REEL

HDS001R



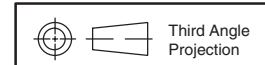
HDS001L



NOTE: Quantity per reel: 5,000 pieces



Detect



Third Angle Projection
Dimensions are shown: mm
Specifications and dimensions subject to change