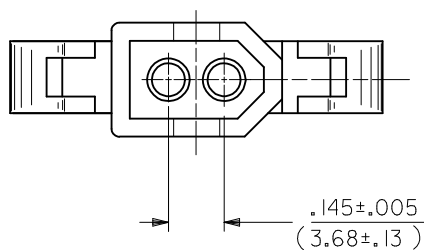
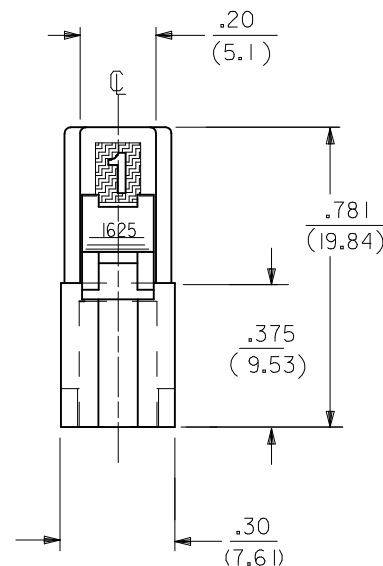
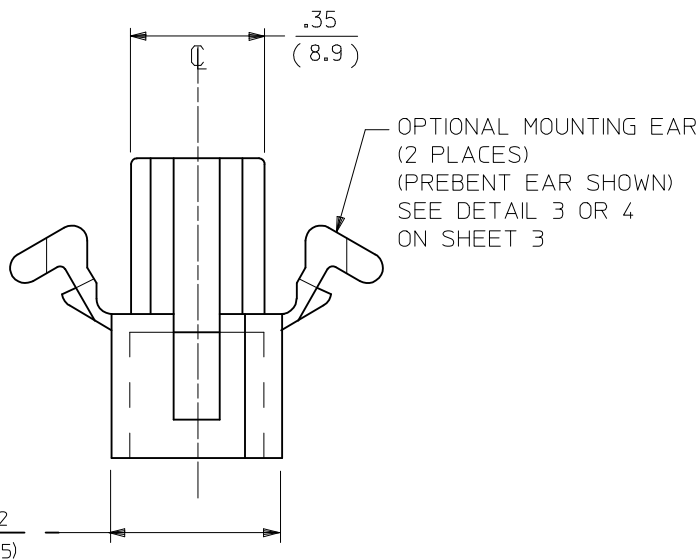
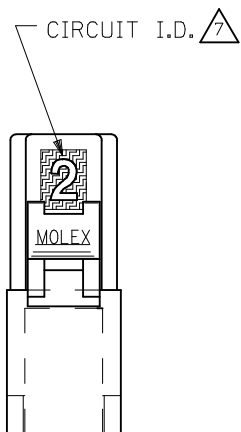
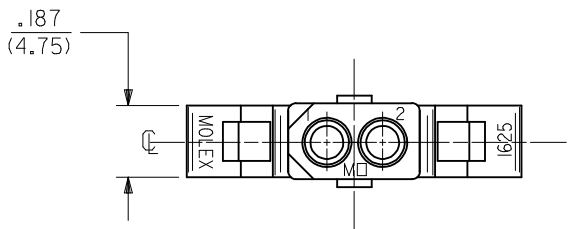


PLUG HOUSING

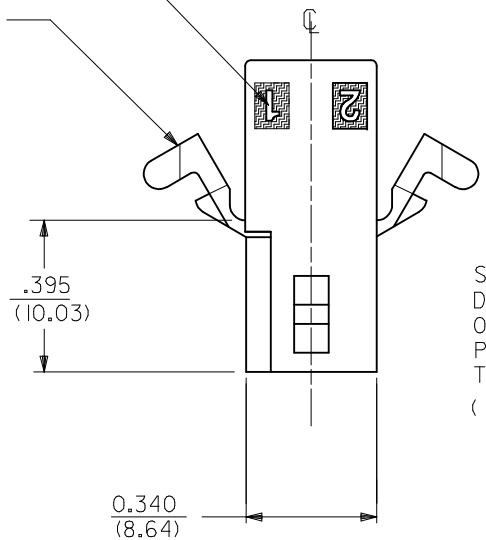


PK SPEC EC NO: UCP2015-0466 DRWN: DFX CHKD: MKIPPER APPR: FSMITH	DESCRIPTION 2014/08/04 2014/08/04 2014/08/14	QUALITY SYMBOLS ▽=0 ▽=0 ▽=0	GENERAL TOLERANCES (UNLESS SPECIFIED)		DIMENSION STYLE IN/MM		SCALE 4:1	DESIGN UNITS INCH	THIRD ANGLE PROJECTION	
			mm	INCH	DRAWN BY AELHAG	DATE 2010/05/04	TITLE PLUG AND RECEPTACLE 2 CIRCUIT HOUSINGS .062/(1.57) DIA. molex			
4 PLACES	± ---	± ---	CHECKED BY JBELL	DATE 2010/05/04	MATERIAL NO. SEE CHART					
3 PLACES	± ---	± .010	APPROVED BY FSMITH		DATE 2014/03/31	THIS DRAWING CONTAINS INFORMATION THAT IS PROPRIETARY TO MOLEX INCORPORATED AND SHOULD NOT BE USED WITHOUT WRITTEN PERMISSION				
2 PLACES	± 0.25	± .014	ANGULAR ± 1 °							
1 PLACE	± 0.35	± ---	DRAFT WHERE APPLICABLE MUST REMAIN WITHIN DIMENSIONS							
0 PLACE	± ---	± ---								

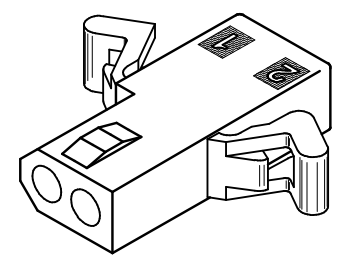
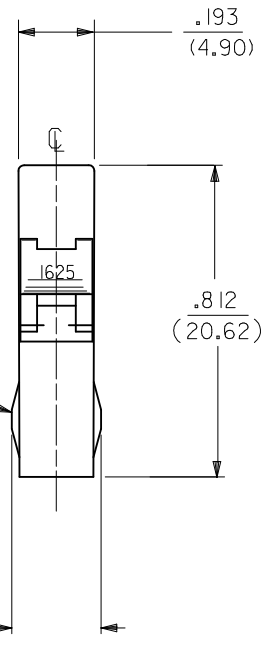


∇ 7 CIRCUIT I.D.

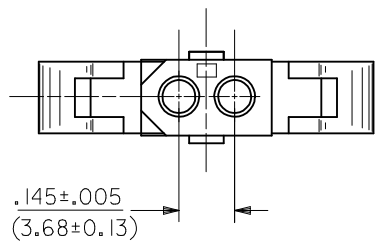
OPTIONAL MOUNTING EAR
(2 PLACES)
(PREBENT EAR SHOWN)
SEE DETAIL 3 OR 4
ON SHEET 3



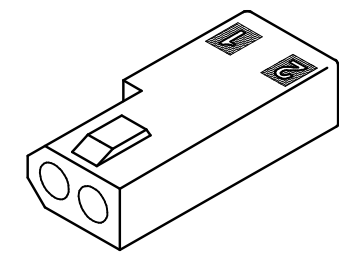
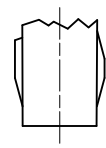
STANDARD
DETENT SHOWN.
OPTIONAL
POSITIVE LOCK
THIS SIDE ONLY
(SEE NOTE ∇ 5)



RECEPTACLE HOUSING
(1625-2R2 SHOWN)



OPTIONAL POSITIVE LOCK
ONE SIDE ONLY
SCALE 4:1



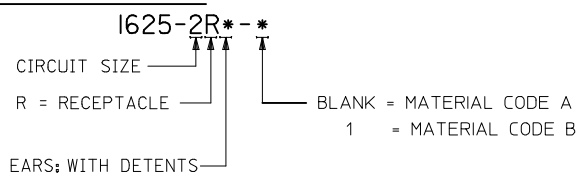
RECEPTACLE HOUSING
(1625-2R3 SHOWN)

SEE SHEET 1 EC NO: UCP2015-0466 DRWN:JDFX 2014/08/04 CHKD:HKJPPER 2014/08/04 APPR:FSMLTH 2014/08/14	QUALITY SYMBOLS ∇ = 0 ∇ = 0 ∇ = 0	GENERAL TOLERANCES (UNLESS SPECIFIED)		DIMENSION STYLE IN/MM		SCALE 4:1	DESIGN UNITS INCH	THIRD ANGLE PROJECTION		
				mm	INCH	DRAWN BY AELHAG	DATE 2010/05/04	TITLE PLUG AND RECEPTACLE 2 CIRCUIT HOUSINGS .062/(1.57) DIA.		
				4 PLACES ± --- ± ---	3 PLACES ± --- ± .010	CHECKED BY JBELL	DATE 2010/05/04			
				2 PLACES ± 0.25 ± .014	1 PLACE ± 0.35 ± ---	APPROVED BY FSMITH	DATE 2014/03/31	molex DOCUMENT NO. SD-1625-002 SHEET NO. 2 OF 3		
				0 PLACE ± --- ± ---	ANGULAR ± 1°		MATERIAL NO. SEE CHART			
REV B1		DRAFT WHERE APPLICABLE MUST REMAIN WITHIN DIMENSIONS		SIZE C		THIS DRAWING CONTAINS INFORMATION THAT IS PROPRIETARY TO MOLEX INCORPORATED AND SHOULD NOT BE USED WITHOUT WRITTEN PERMISSION				

PLUG	
PART NO.	ENG. NO.
26-01-3091	1625-2P2-1

RECEPTACLE	
PART NO.	ENG. NO.
26-01-3092	1625-2R1-1

RECEPTACLE LEGEND:

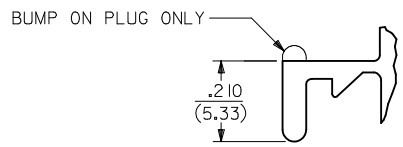
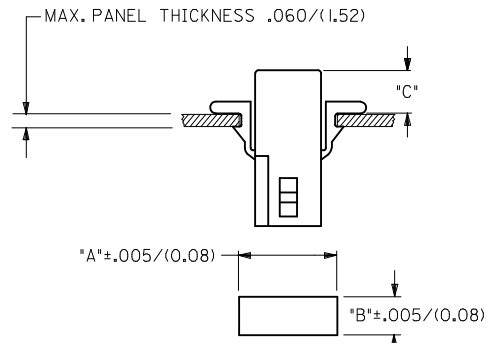


BLANK = WITH STANDARD MOUNTING EARS; WITH DETENTS
 1 = WITHOUT MOUNTING EARS; WITH DETENTS
 2 = WITH PREBENT MOUNTING EARS; WITH DETENTS
 3 = W/O MOUNTING EARS, WITH POSITIVE LOCK

PLUG LEGEND:

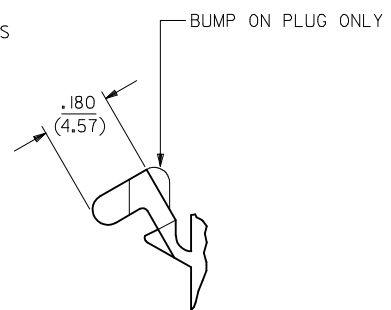


1 = WITHOUT MOUNTING EARS
 2 = WITH PREBENT MOUNTING EARS
 3 = W/O MOUNTING EARS, WITH POSITIVE LOCK



DETAIL 3

STANDARD MOUNTING EARS
(SCALE 4:1)



DETAIL 4

PREBENT MOUNTING EARS
(SCALE 4:1)

RECOMMENDED HOLE PATTERN

HOUSING	DIM. "A"	DIM. "B"	PREBENT EAR DIM. "C"	STD. EAR DIM. "C"
PLUG	.609 (15.47)	.318 (8.08)	.24 (6.0)	.24 (6.1)
RECEPTACLE	.505 (12.83)	.265 (6.73)	.25 (6.4)	.25 (6.4)

- NOTES:
- MATERIAL : A: SEE DRAWING 1625-2*
 B: NYLON (PA6), UL94V-2,
 GLOW WIRE CAPABLE PER IEC 60335-1.
 COLOR: BLACK
 - FINISH: NONE
 - PRODUCT SPECIFICATION: PS-02-06
 - PACKAGING SPECIFICATION: PK-1625-003
 - POSITIVE LOCK VERSION REQUIRES USE OF A SCREWDRIVER OR SIMILAR TOOL TO LIFT SHROUD ON PLUG HOUSING IN ORDER TO UNMATE RECEPTACLE HOUSINGS
 - HOUSINGS FOR USE WITH MOLEX .062/(1.57) DIA. SERIES TERMINALS.
 - CIRCUIT I.D. NUMBERS ON SIDE OF HOUSING APPEAR ON PARTS FROM TOOLS BUILT AFTER 07/01/1991.
 - THIS PART CONFORMS TO CLASS B REQUIREMENTS OF COSMETIC SPECIFICATION PS-45499-002.

SEE SHEET 1 EC NO: UCP2015-0466 DRWN:JDFX 2014/08/04 CHKD:MKJPPER 2014/08/04 APPR:FSMITH 2014/08/14	QUALITY SYMBOLS	GENERAL TOLERANCES (UNLESS SPECIFIED)	DIMENSION STYLE	SCALE	DESIGN UNITS	THIRD ANGLE PROJECTION
	▽=0	mm INCH	IN/MM	---	INCH	
	▽=0	4 PLACES ± --- ± ---	DRAWN BY DATE	TITLE		
	▽=0	3 PLACES ± --- ±.010	AELHAG 2010/05/04	PLUG AND RECEPTACLE		
	2 PLACES ± 0.25 ±.014	CHECKED BY DATE	2 CIRCUIT HOUSINGS			
	1 PLACE ± 0.35 ± ---	JBELL 2010/05/04	.062/(1.57) DIA.			
	0 PLACE ± --- ± ---	APPROVED BY DATE	molex			
		FSMITH 2014/03/31	MATERIAL NO.	DOCUMENT NO.	SHEET NO.	
			SEE CHART	SD-1625-002	3 OF 3	
			THIS DRAWING CONTAINS INFORMATION THAT IS PROPRIETARY TO MOLEX INCORPORATED AND SHOULD NOT BE USED WITHOUT WRITTEN PERMISSION			