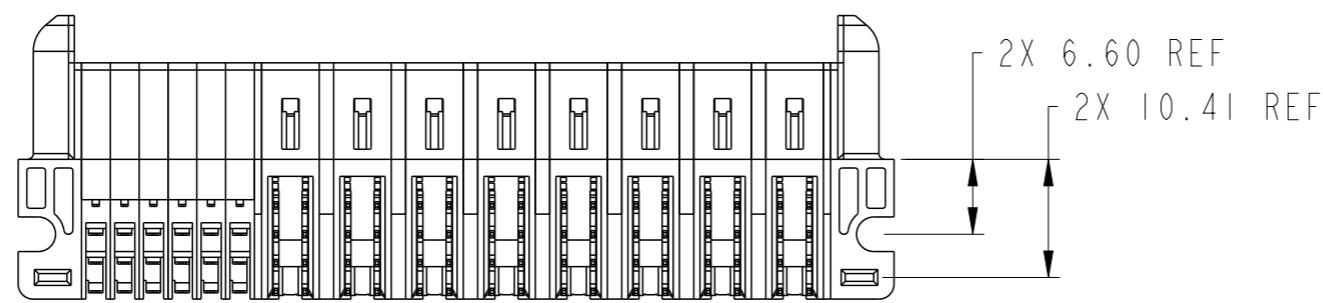
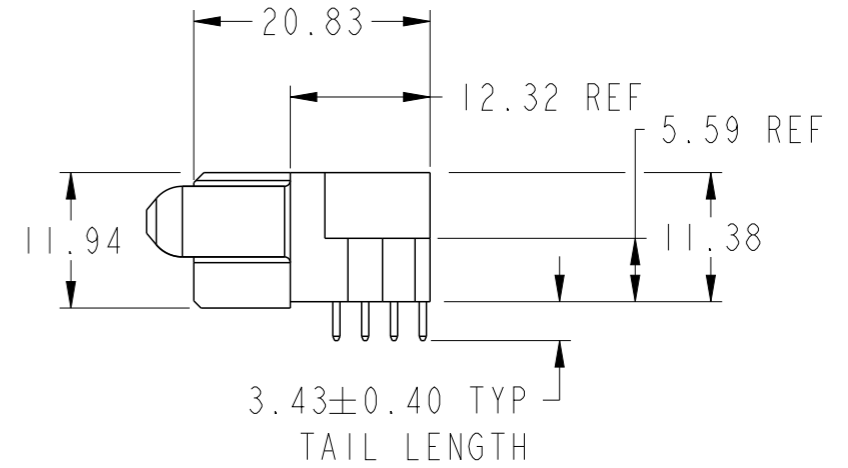
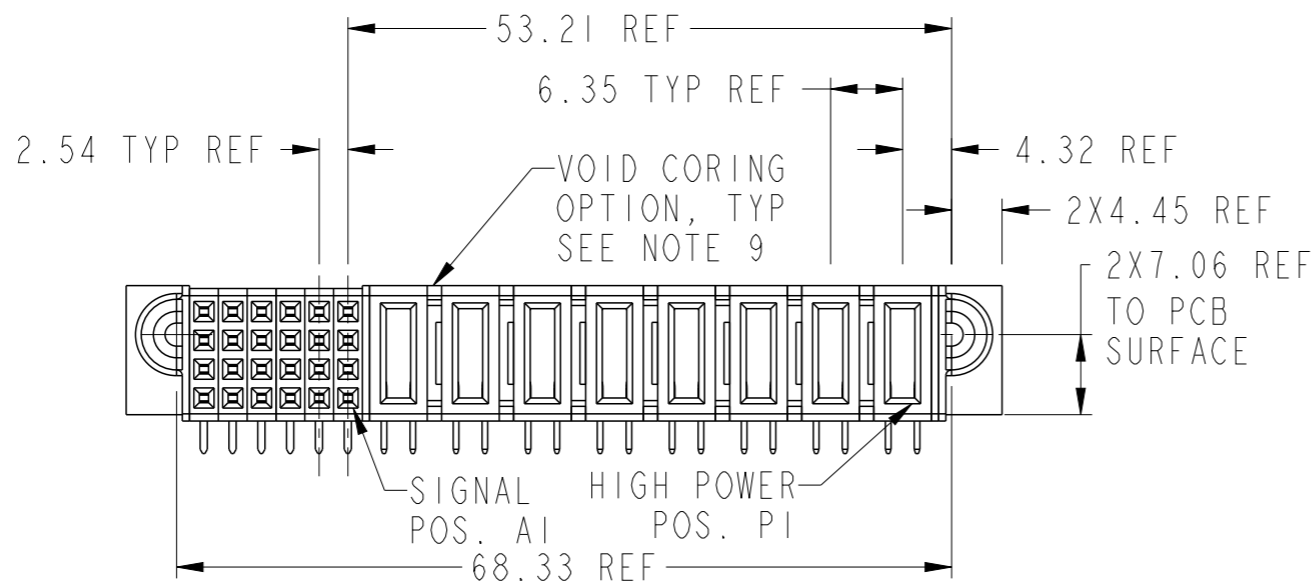
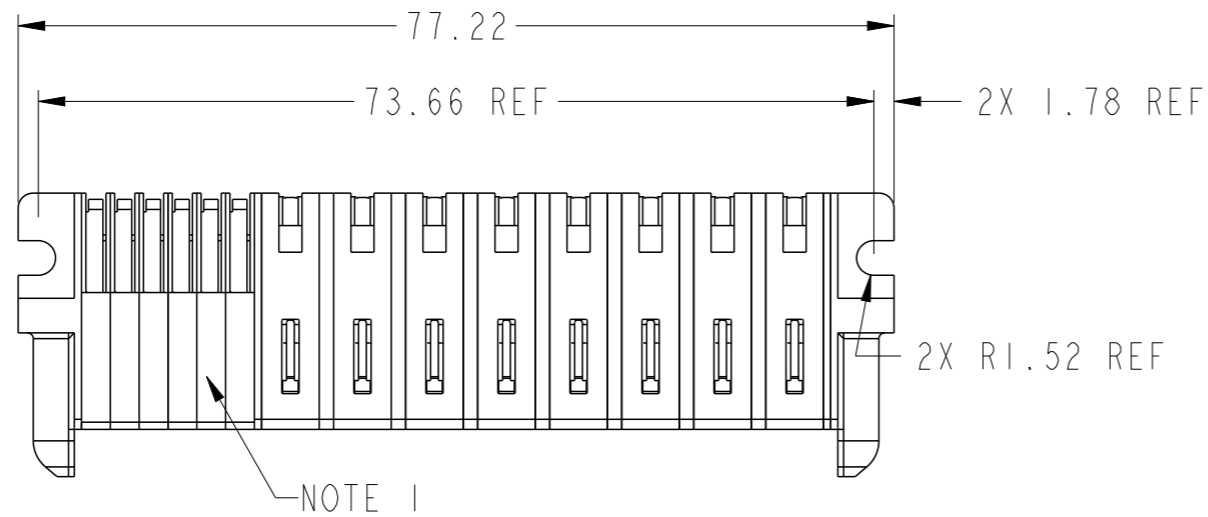


PRODUCT NUMBER SEE SHEET 2

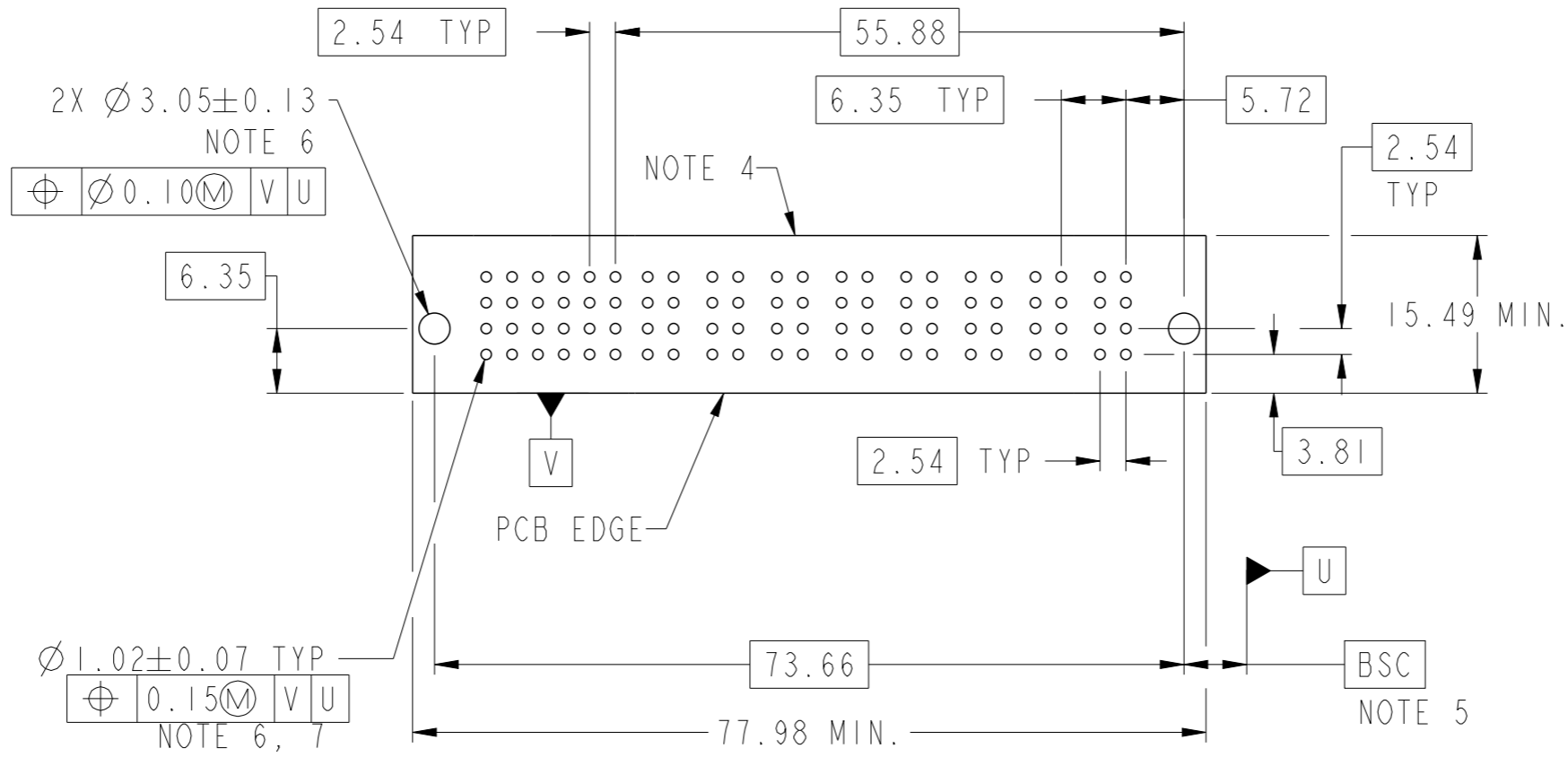


Copyright FCI.

spec ref	*	dr	Eddy Zeng	2013/11/11	projection	MM	size	A3	scale	3:2
tolerance std	ASME Y14.5	eng	Eddy Zeng	2013/11/19			ecn no	-	rel level	Released
TOLERANCES UNLESS OTHERWISE SPECIFIED		chr	Li-He	2013/11/19						
surface	✓	appr	Pei-Ming Zheng	2013/11/19			title 8HP + 24S RA STB RECEPTACLE	dwg no 10106126-8006002	rev A	
ASME Y14.5	linear	0.X	±0.5	www.fci.com	cat. no.	Product - Customer Drw	sheet 1 of 3			
	angular	0°	±2°							

PRODUCT NO.	ROWS	SIGNAL						HIGH POWER								E2
		E1	6	5	4	3	2	1	P8	P7	P6	P5	P4	P3	P2	
10106126-8006002LF	D C B A		H	H	H	H	H	H3	H3	H3	H3	H3	H3	H3	H3	H3

CODE	DESCRIPTION
E	STD SIGNAL CONTACT, ROW A
F	STD SIGNAL CONTACT, ROW B
G	STD SIGNAL CONTACT, ROW C
H	STD SIGNAL CONTACT, ROW D
H3	STD HIGH POWER CONTACT(3.43)



dr	Eddy Zeng	2013/11/11	projection	MM	size	A3	scale	3:2			
eng	Eddy Zeng	2013/11/19		← →	ecn no	-	rel level	Released			
chr	Li-He	2013/11/19									
appr	Pei-Ming Zheng	2013/11/19	product family	PwrBlade+							
			title		8HP + 24S		dwg no		10106126-8006002	rev	A
www.fci.com			cat. no.		Product - Customer Drw			sheet 2 of 3			

Copyright FCI.

NOTES:

- 1) "FCI", PART NUMBER AND DATE CODE TO BE MARKED ON THIS SURFACE.  
THE MARK CAN BE OMITTED IF THERE IS NOT ENOUGH SPACE ON THIS SURFACE.
- 2) MATERIALS:  
-HOUSING - GLASS FILLED WITH HIGH TEMP THERMOPLASTIC, UL94V-0.  
-SIGNAL CONTACT - COPPER ALLOY.  
-POWER CONTACT - HIGH CONDUCTIVITY COPPER ALLOY.
- 3) PLATING SPECIFICATION REFER TO FCI 10116351
- 4) DENOTES CONNECTOR KEEP OUT ZONE.
- 5) DATUM AND BASIC DIMENIONS WERE ESTABLISHED BY CUSTOMER.
- 6) ALL HOLE DIAMETERS ARE FINISHED HOLE SIZES.
- 7)  $1.15 \pm 0.025$ MM DRILLED HOLE PLATED WITH  $0.00762$ MM MIN Sn  
OVER  $0.0254$ - $0.0762$ MM Cu PLATING TO ACHIEVE A  $1.02 \pm 0.07$ MM HOLE.
- 8) PRODUCT SPECIFICATION REFER TO FCI GS-12-658.  
APPLICATION SPECIFICATION REFER TO FCI GS-20-141.  
PRODUCT PACKAGED IN TRAYS, REFER TO FCI GS-14-1502.
- 9) THE VOID CORING IN BETWEEN POWER MODULES, SIGNAL  
MODULES AND END MODULES ARE OPTIONAL AND THE SHAPE  
MAY BE DIFFERENT FOR OPTIMIZE THE MOLDING PROCESS. THE  
VOID CORING WILL NOT EFFECT TO PRODUCT FUNCTION.



Copyright FCI.

dr	Eddy Zeng	2013/11/11	projection 	MM 	size	A3	scale	3:2
eng	Eddy Zeng	2013/11/19			ecn no	-		
chr	Li-He	2013/11/19			rel level	Released		
appr	Pei-Ming Zheng	2013/11/19	product family	PwrBlade+				
		title 8HP + 24S RA STB RECEPTACLE			dwg no 10106126-8006002	rev A		
www.fci.com		cat. no.	Product - Customer Drw		sheet 3 of 3			