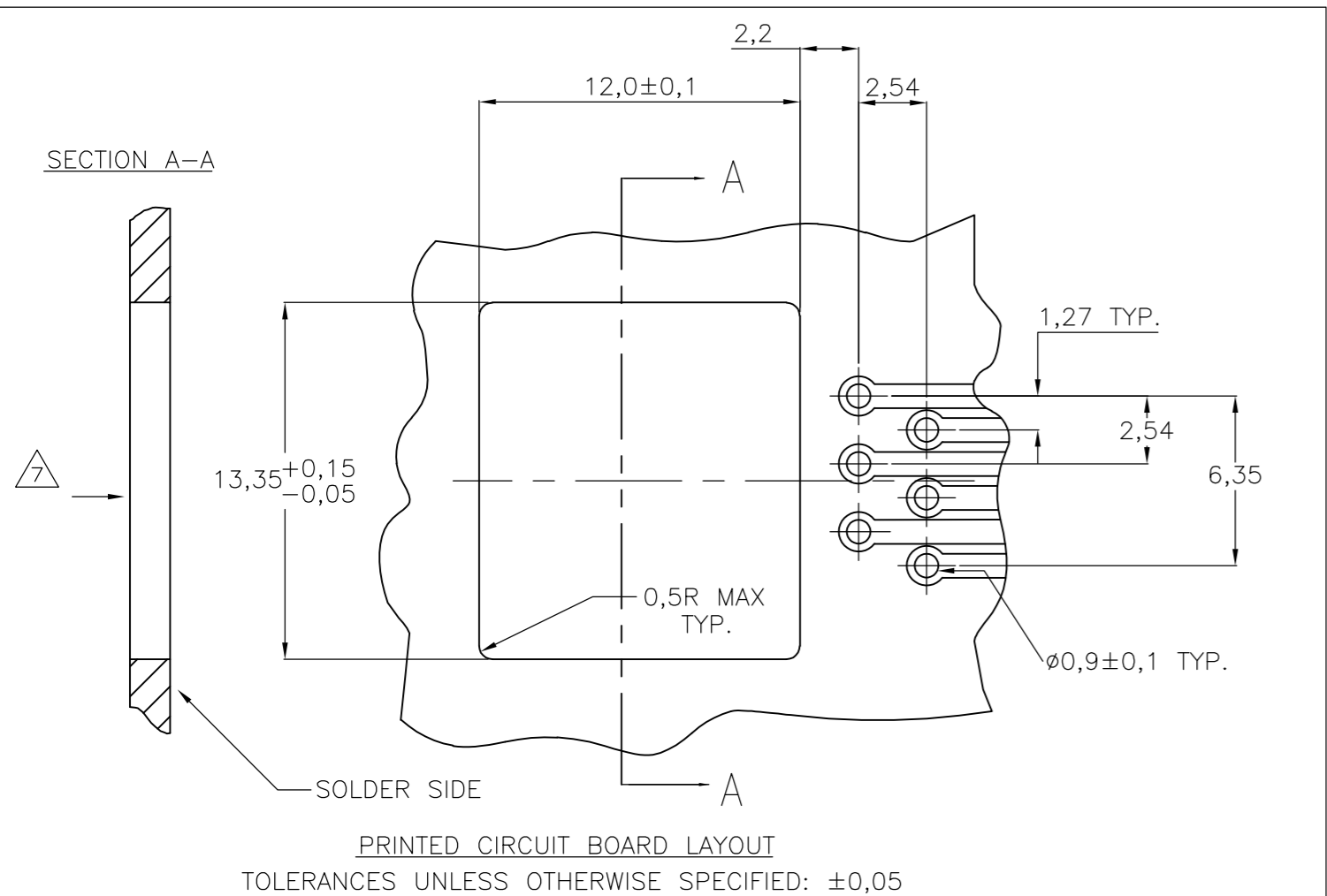
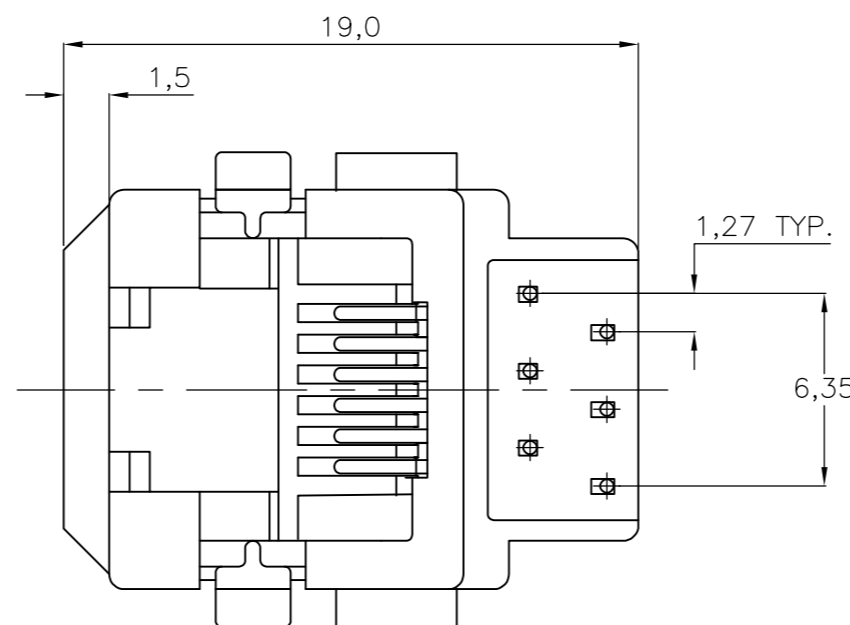
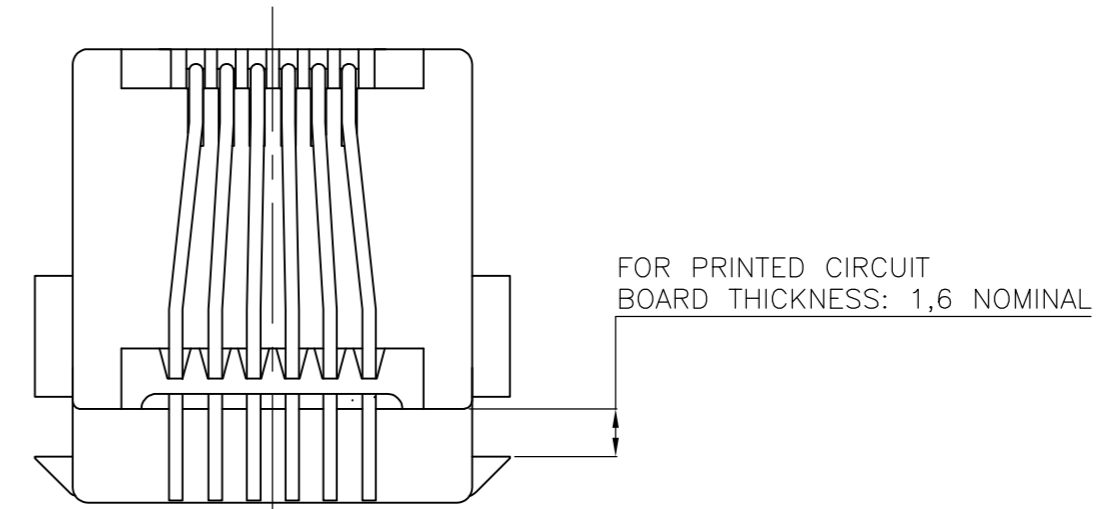
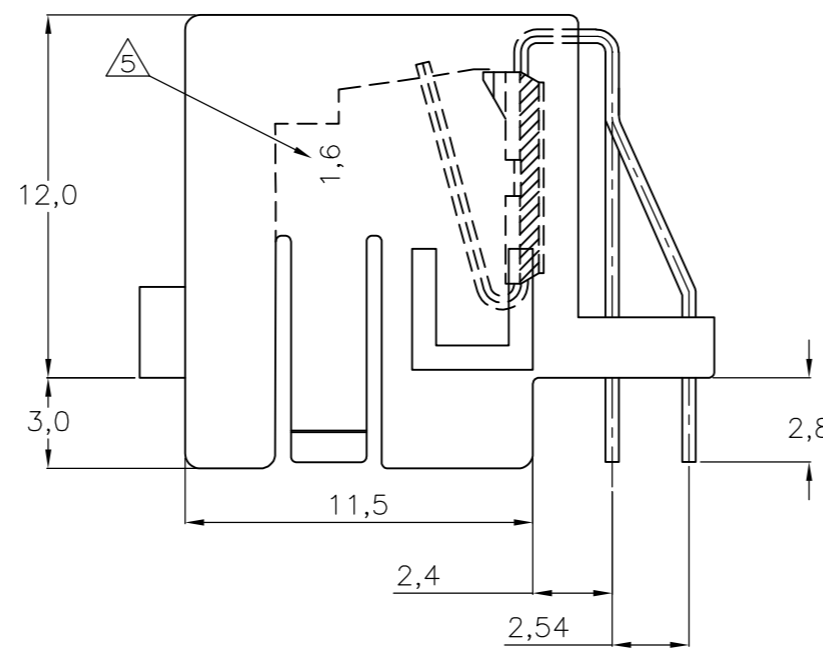
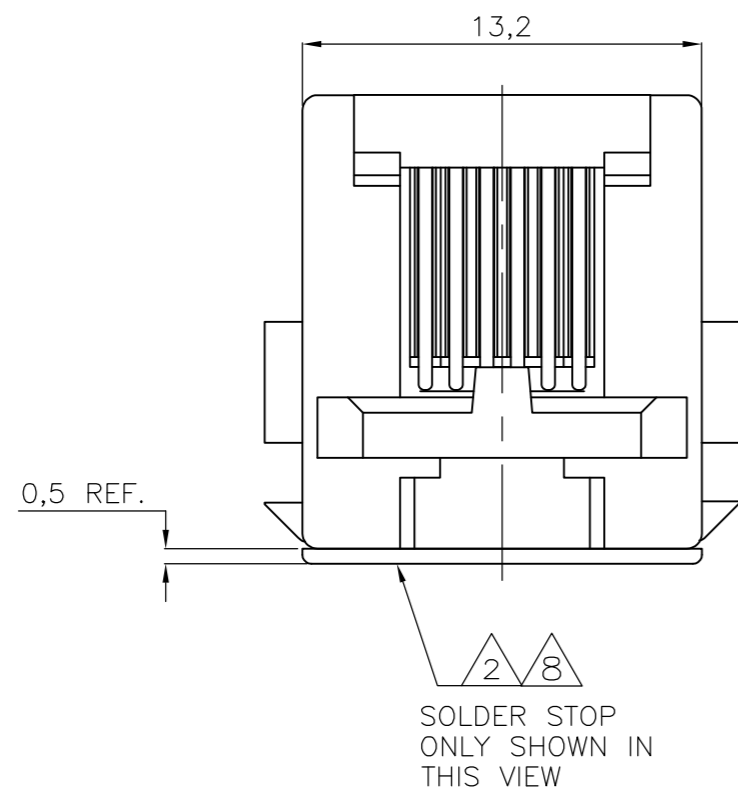
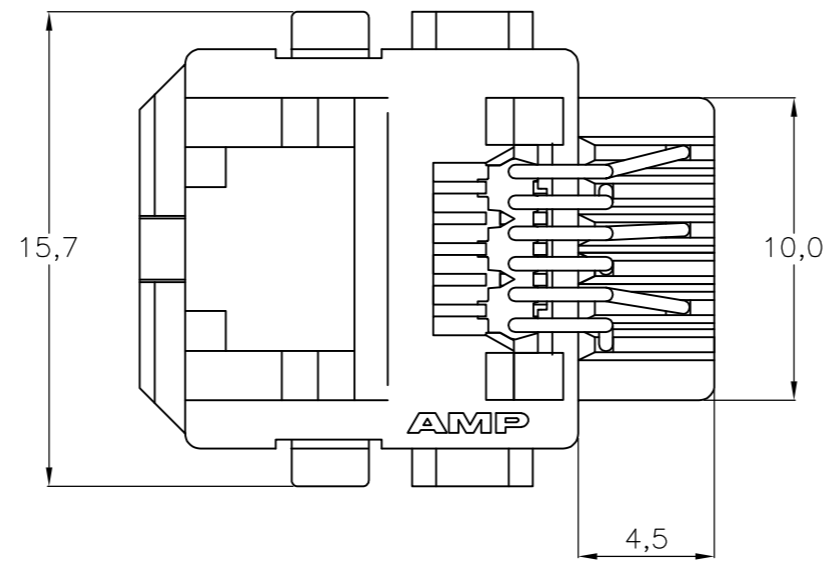


THIS DRAWING IS UNPUBLISHED. RELEASED FOR PUBLICATION  
 © COPYRIGHT - By - ALL RIGHTS RESERVED.

| LOC | DIST | REVISIONS |     |               |          |     |      |
|-----|------|-----------|-----|---------------|----------|-----|------|
|     |      | P         | LTR | DESCRIPTION   | DATE     | DWN | APVD |
| H   | -    | R         |     | EH-1477-98    | 14-09-98 | EVE | -    |
|     |      | R1        |     | ECR-08-012368 | 06-11-08 | AEG | WRV  |
|     |      | R2        |     | ECR-10-022530 | 07JAN11  | KK  | HMR  |

NOTES:

1. TOLERANCES UNLESS OTHERWISE SPECIFIED:  $\pm 0,15$ .
2. MODULAR JACK P.N. 216446-1, 216446-2, 3-216446-1 AND 3-216446-2 ARE DELIVERED WITH PLASTIC SOLDER STOP INSTALLED, TO PREVENT SOLDER ENTERING THE JACK. REMOVE SOLDER STOP AFTER SOLDERING.
3. FOR PERFORMANCE REQUIREMENTS SEE TE PRODUCT SPECIFICATION 108-19064.
4. FOR APPLICATION REQUIREMENTS SEE TE APPLICATION SPECIFICATION 114-19019.
5. MOLDED-IN CHARACTER "1,6" MEANS FOR 1,6mm PRINT THICKNESS.
6. FOR PACKAGING SEE SHEET 2.
7. PREFERRED DIRECTION FOR STAMPING OF HOLE TO OBTAIN A BROKEN EDGE AT JACK ENTRY SIDE.
8. TRUE POSITIONING OF THE SOLDER TINES MAY BE AFFECTED BY BULK PACKAGING. THE SOLDER STOP COULD BE LOOSENED DURING TRANSPORT.

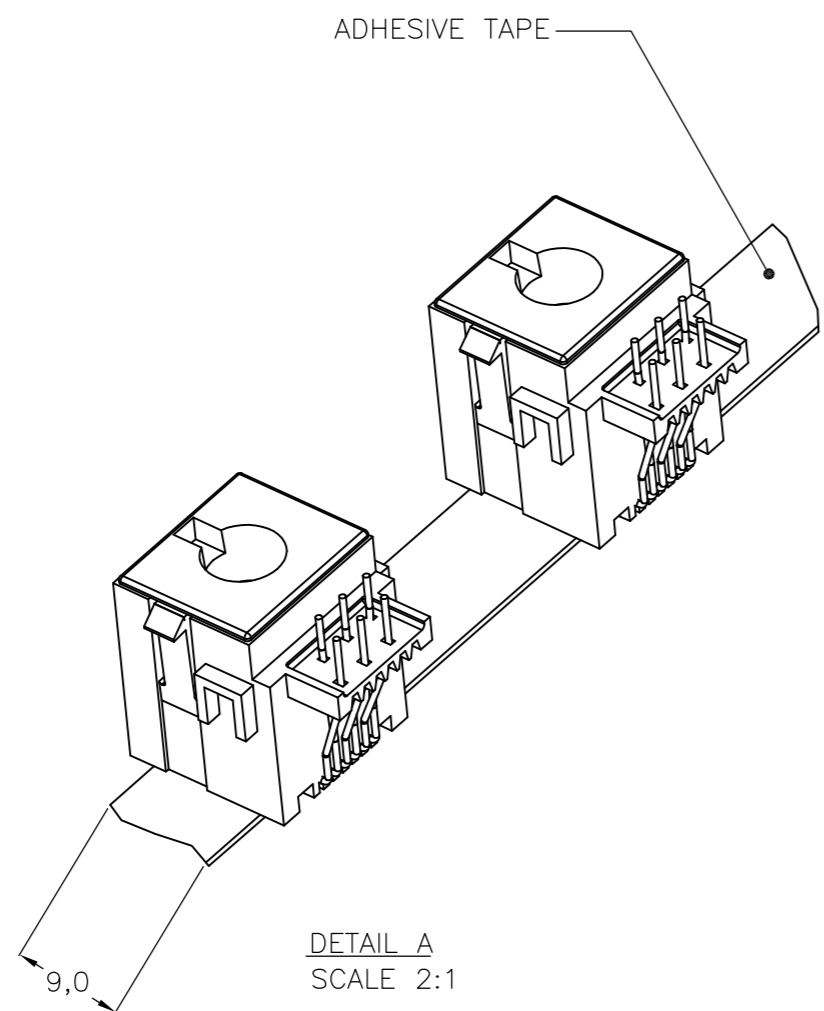


|            | DESCRIPTION                   | FINISH                             | MATERIAL   | PARTNUMBER |
|------------|-------------------------------|------------------------------------|--|------------|
| ⚠          | BULK PACKAGED 500 pcs/BOX     | 6 POS./4 CONTACTS WITH SOLDER STOP | CONTACTS: 1,25µm MIN. GOLD OVER<br>HOUSING: 20% G.F. NYLON                     | 3-216446-2 |
| ⚠          | BULK PACKAGED 1000 pcs/BOX    | 6 POS./6 CONTACTS WITH SOLDER STOP | CONTACTS: 1,25µm MIN. NICKEL IN CONTACT AREA<br>HOUSING: COLOR: BLACK UL 94-HB | 3-216446-1 |
| OBSOLETE ⚠ | 700 pcs ON A .60 cm DIA REEL  | 6 POS./4 CONTACTS WITH SOLDER STOP | CONTACTS: 2µm MIN. TIN LEAD OVER 1,25µm MIN.<br>HOUSING: PHOS. BRONZE          | -216446-2- |
| ⚠          | 700 pcs ON A Ø60 cm DIA. REEL | 6 POS./6 CONTACTS WITH SOLDER STOP | NICKEL ON SOLDER TINES.  | 216446-1   |

|  |  |                       |   |                 |
|--|--|-----------------------|---|-----------------|
| THIS DRAWING IS A CONTROLLED DOCUMENT. |  | DWN M.V.ESSEN 29NOV95 | <b>TE</b> TE Connectivity   |                 |
| DIMENSIONS: mm                         |  | CHK W.BRUMMANS        |   |                 |
| TOLERANCES UNLESS OTHERWISE SPECIFIED: |  | APVD C.V.TILBURG      | MODULAR JACK, 6 POS<br>BOTTOM ENTRY VERSION<br>FOR PRINTED CIRCUIT BOARD MOUNTING |                 |
| 0 PLC ± -                              |  | PRODUCT SPEC          |   |                 |
| 1 PLC ± -                              |  | APPLICATION SPEC      | SIZE A2   | CAGE CODE 00779 |
| 2 PLC ± -                              |  | WEIGHT -              | DRAWING NO C=216446   | RESTRICTED TO - |
| 3 PLC ± -                              |  | CUSTOMER DRAWING      | SCALE NTS   | SHEET 1 of 2    |
| 4 PLC ± -                              |  |                       |   | REV R2          |
| ANGLES ± -                             |  |                       |   |                 |
| FINISH -                               |  |                       |   |                 |

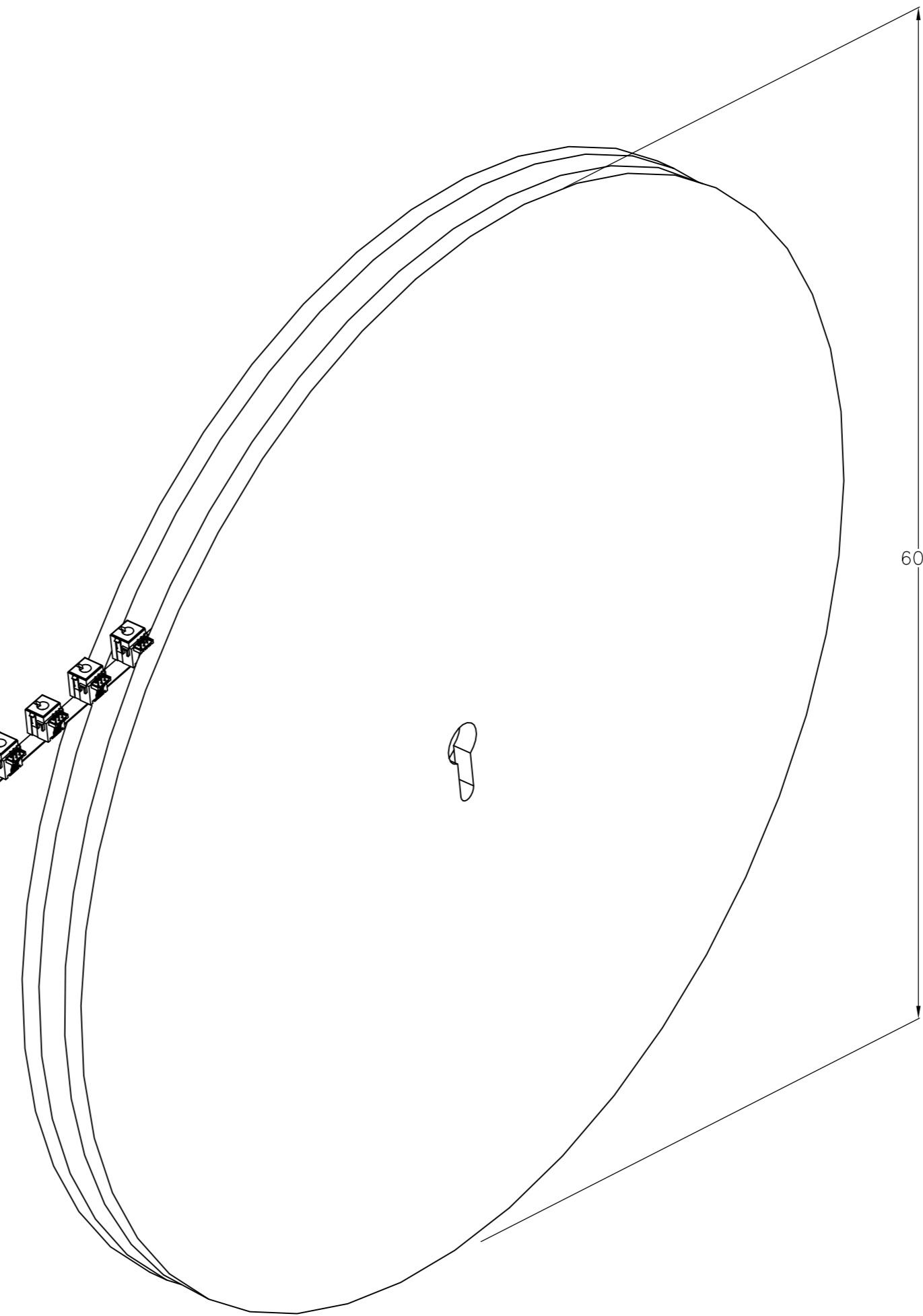
THIS DRAWING IS UNPUBLISHED. RELEASED FOR PUBLICATION  
 © COPYRIGHT - By - ALL RIGHTS RESERVED.

| LOC | DIST | REVISIONS |     |             |      |     |      |
|-----|------|-----------|-----|-------------|------|-----|------|
| H   | -    | P         | LTR | DESCRIPTION | DATE | DWN | APVD |
|     |      | -         |     | SEE SHEET 1 | -    | -   | -    |



SEE DETAIL A

REEL-OFF DIRECTION



|   |  |                  |            |  |          |
|---|--|------------------|------------|--|----------|
| THIS DRAWING IS A CONTROLLED DOCUMENT.                                      |  | DWN              | 19DEC96    |  |          |
| DIMENSIONS: mm  |  | CHK              | F.V.EIJK   |  |          |
| TOLERANCES UNLESS OTHERWISE SPECIFIED:                                      |  | APVD             | W.BRUMMANS |  |          |
| 0 PLC ± -<br>1 PLC ± -<br>2 PLC ± -<br>3 PLC ± -<br>4 PLC ± -<br>ANGLES ± - |  | NAME             | R.SMEETS   |  |          |
| MATERIAL  |  | PRODUCT SPEC     | -          | MODULAR JACK, 6 POS.,<br>BOTTOM ENTRY VERSION<br>PACKAGING |          |
| FINISH  |  | APPLICATION SPEC | -          | SIZE   | A2       |
| -   |  | WEIGHT           | -          | CAGE CODE  | 00779    |
|   |  | CUSTOMER DRAWING | -          | DRAWING NO   | C=216446 |
|   |  | SCALE            | NTS        | SHEET  | 2 OF 2   |
|   |  | REV              | R2         | RESTRICTED TO  | -        |