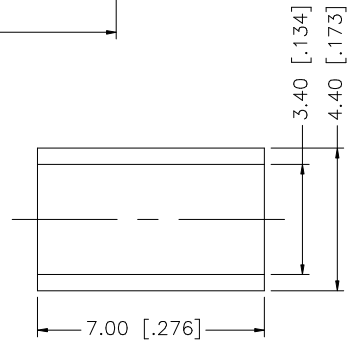
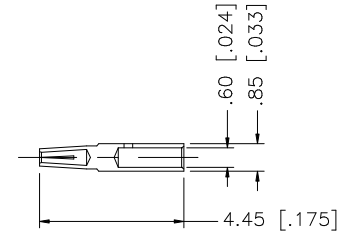
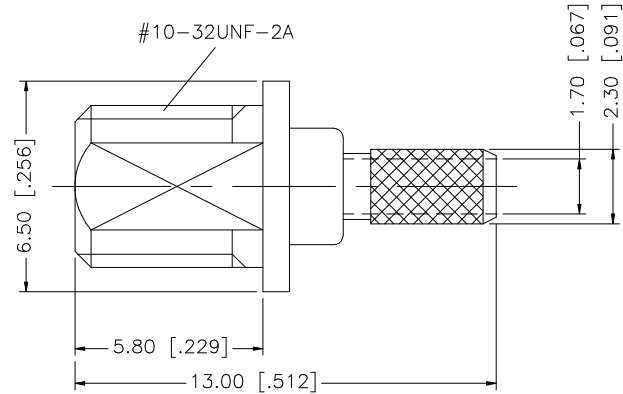
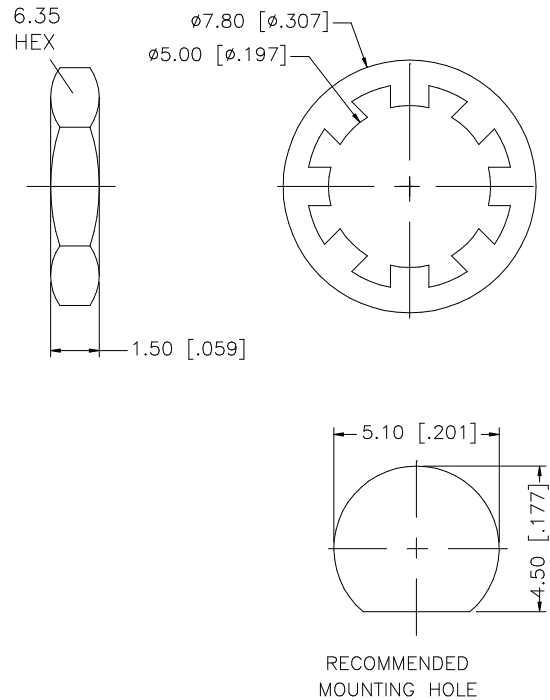
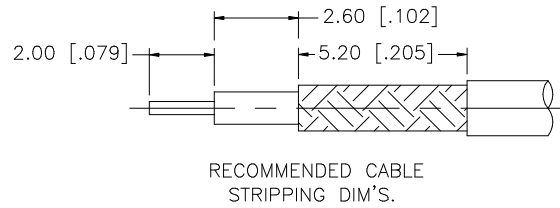


REV.	DATE	DESCRIPTION
NC	05/16/99	INITIAL RELEASE
A	02/19/07	UPDATE DRAWING FORMAT



QTY	DESCRIPTION	MATERIAL	FINISH
1	BODY	BRASS	GOLD
1	INSULATOR	TEFLON	NATURAL
1	CONTACT PIN	BER. COPPER	GOLD
1	LOCK WASHER	BRASS	GOLD
1	HEX NUT	BRASS	GOLD
1	FERRULE	COPPER	GOLD

UNLESS OTHERWISE SPECIFIED DIMENSIONS ARE IN MILLIMETERS. DIMENSIONS IN [] ARE IN INCHES AND FOR CUSTOMER REFERENCE ONLY.

UNLESS OTHERWISE SPECIFIED TOLERANCES FOR MILLIMETERS ARE:
0.5 - 8mm ± 0.20mm
8 - 30mm ± 0.40mm
30 - 120mm ± 0.50mm

UNLESS OTHERWISE SPECIFIED TOLERANCES FOR INCHES ARE:
.020 - .315 = ± 0.007"
.315 - 1.180 = ± 0.015"
1.180 - 4.724 = ± 0.020"

DO NOT SCALE DRAWING

APPROVALS	DATE
DRAWN G.R.S.	02/19/07
CHECKED	
ISSUED	
SHEET 1 OF 1	
CAD FILE	C:/262/262122.DWG

Amphenol Connex

PART DESCRIPTION
**MMCX BULKHEAD CRIMP JACK
(FOR 316/U DOUBLE BRAID CABLE)**

PART NO.
262122

DWG. NO.	262122.DWG	REV.	A	SIZE	A	SCALE	NA
----------	------------	------	---	------	---	-------	----