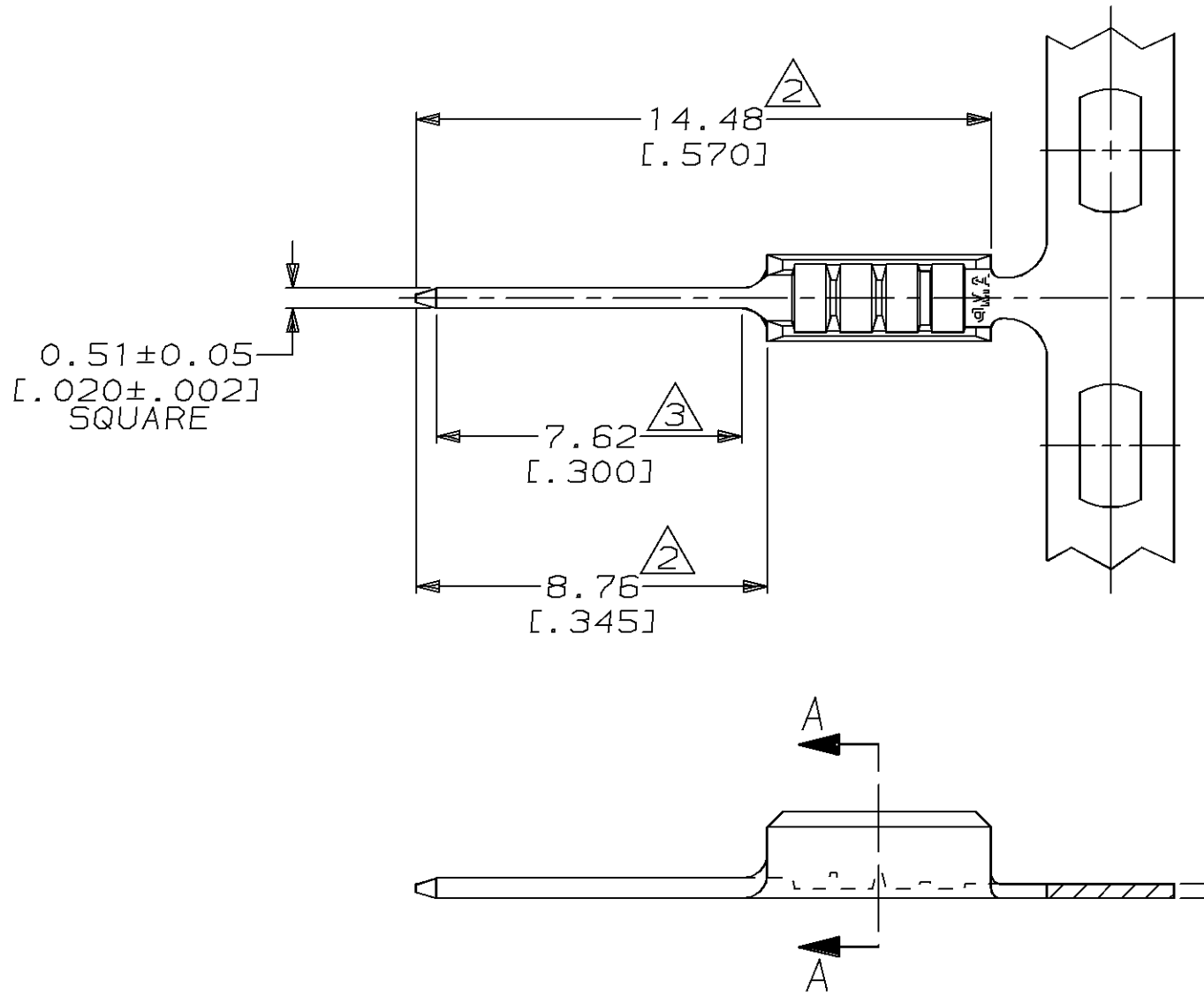
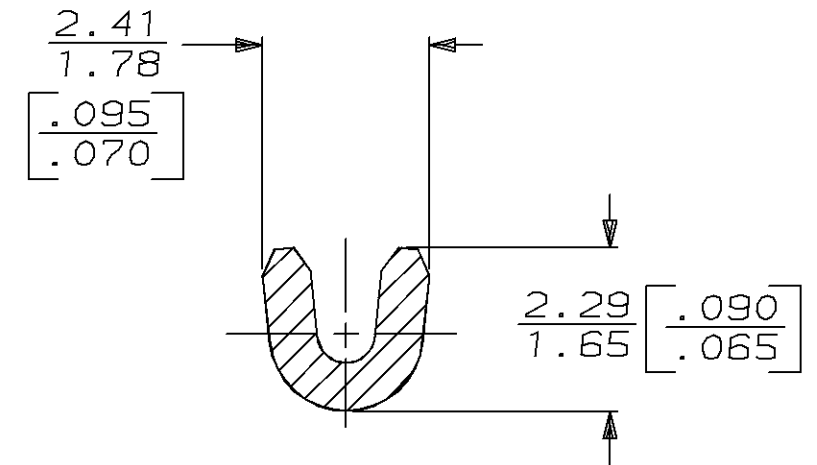


THIS DRAWING IS UNPUBLISHED. RELEASED FOR PUBLICATION, 19
 © COPYRIGHT 19 BY AMP INCORPORATED. ALL INTERNATIONAL RIGHTS RESERVED.

LOC	DIST	P	F	REVISIONS				
AF	50			ZONE	LTR	DESCRIPTION	DATE	APPD
					B	REVISED PER 0427-94	9/7/94	PF/DS



- 1 CONTINUOUS STRIP ON REEL.
- 2 0.000508 [.000020] MIN GOLD PL IN THIS AREA OVER 0.00127 [.000050] MIN NICKEL PL ON 13.33 [.525] AREA.
- 3 0.51 [.020] sq TO BE HELD OVER 7.62 [.300] LENGTH.



0.356±0.025
 [.014±.001]

SECTION A-A
 SCALE 10:1

THIS DRAWING IS A CONTROLLED DOCUMENT FOR AMP INCORPORATED. IT IS SUBJECT TO CHANGE AND THE CONTROLLING ENGINEERING ORGANIZATION SHOULD BE CONTACTED FOR THE LATEST REVISION.

0.76-0.89 DIA [.030-.035]		TINSEL WIRE	63774-1
INSULATION RANGE		WIRE RANGE	PART NO
DO NOT SCALE PRINT. UNLESS SPECIFIED DIMENSIONS IN mm [INCHES] TOLERANCES ON: 2 PLC DEC ± 0.25 [.010] 3 PLC DEC ± - ANGLES ± -		AMP AMP Incorporated Harrisburg, PA 17105-3608	
MATERIAL H04 BRASS		NAME TAB, SPECIAL	
FINISH 2		SIZE B	CAGE CODE 00779
		DRAWING NO C-63774	
		SCALE 6:1	SHEET 1 OF 1