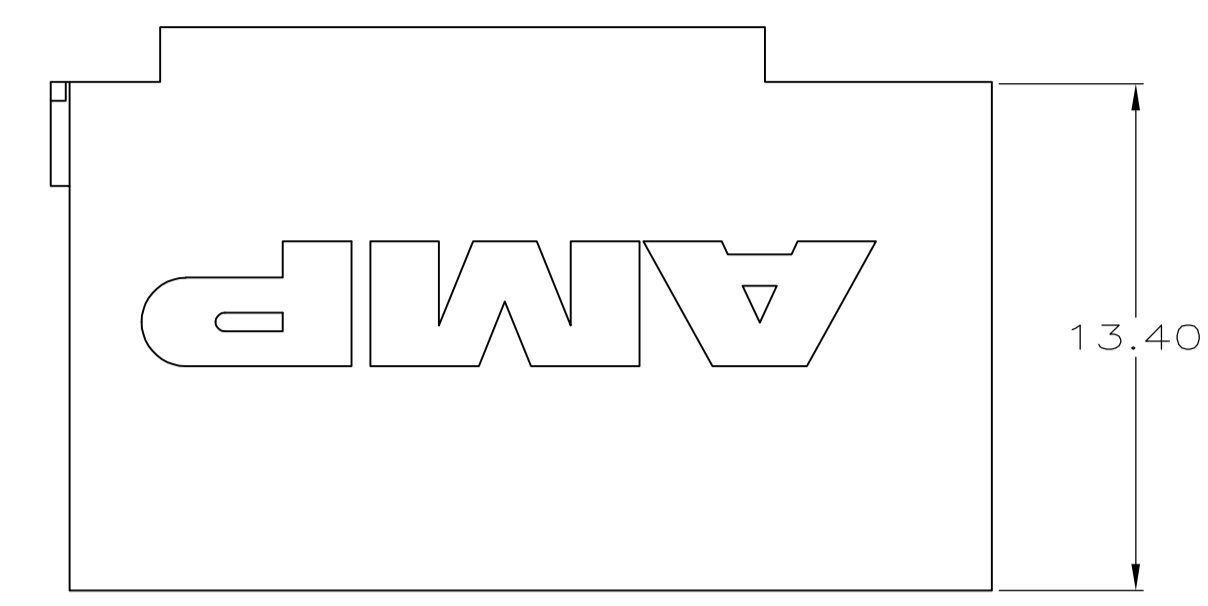
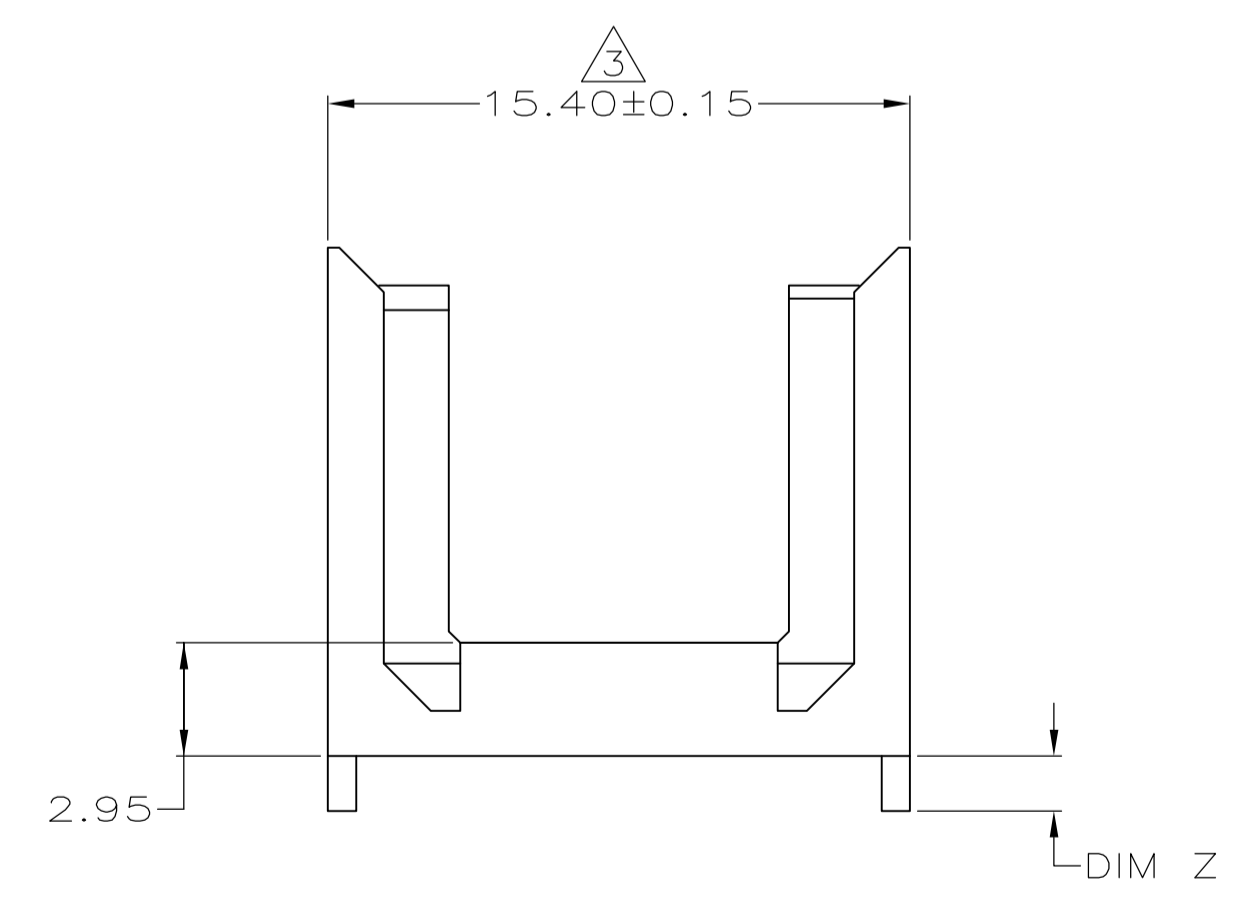
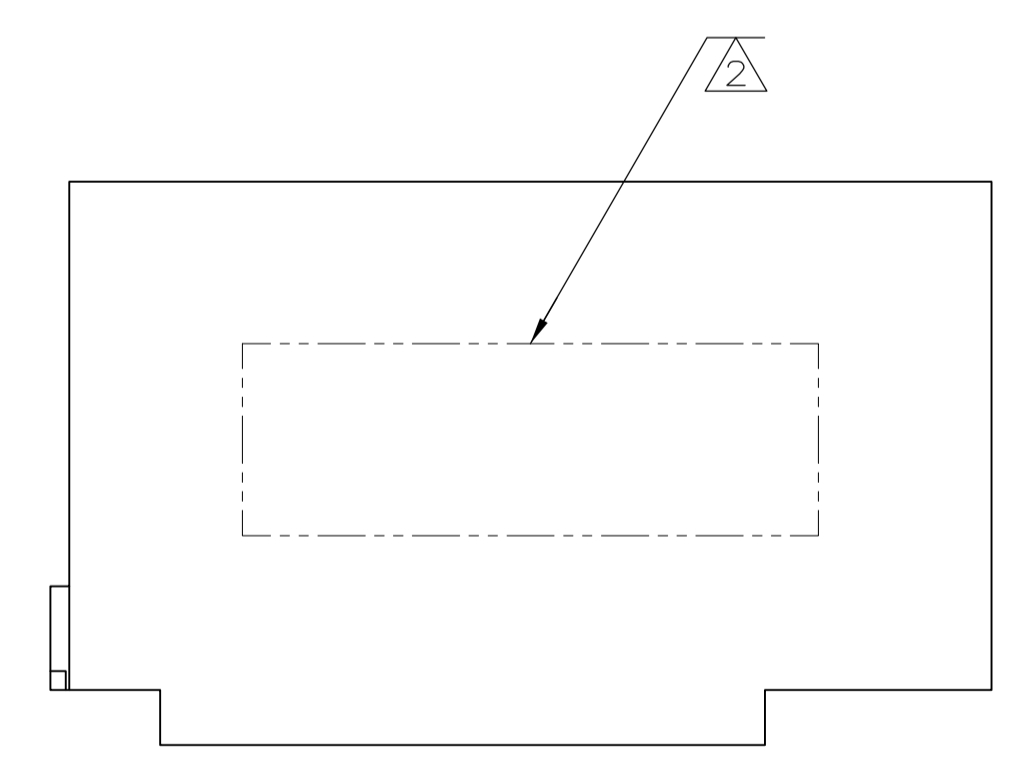
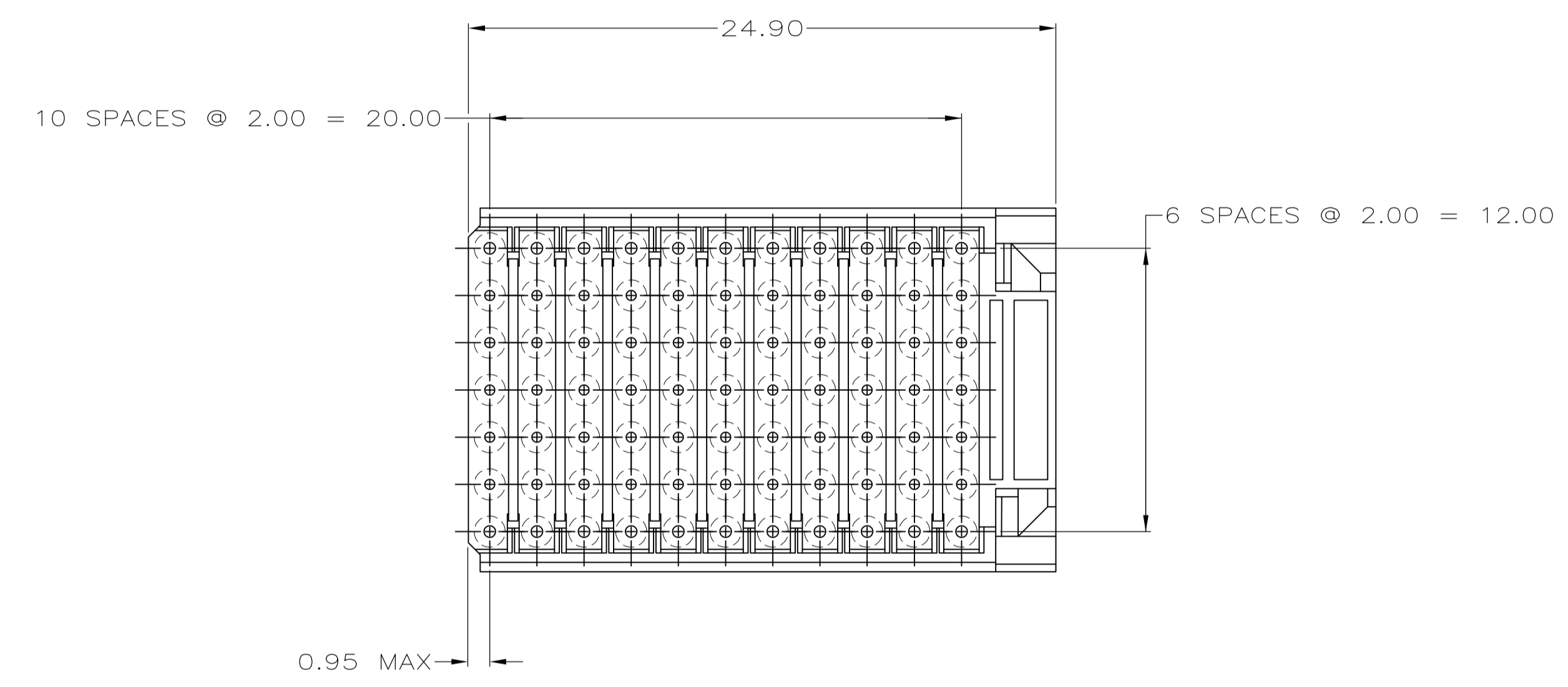


LOC		DIST		REVISIONS			
AD	47	SP	LTR	DESCRIPTION	DATE	DWN	APVD
		C		REV PER EC 0U1B-0192-01	27 JUN 01	BC	RP
		C1		REVISED PER ECO-10-000443	15JAN10	KK	AEG
		D		ECR-10-019054	15SEP10	DP	MQW



- ⚠ MATERIAL: GLASS FILLED POLYESTER.
- ⚠ PART NUMBER MARKED IN APPROXIMATE AREA SHOWN.
- ⚠ TO BE MEASURED AT BASE OF SHROUD.
- ⚠ OBSOLETE PARTS: OBSOLETE CIS STREAMLINING PER D.RENAUD/D.SINISI



⚠ OBSOLETE	1.90	646480-7
⚠ OBSOLETE	1.70	646480-6
	1.50	646480-5
	1.30	646480-4
⚠ OBSOLETE	1.10	646480-3
	0.90	646480-2
		646480-1
	DIM Z	PART NUMBER

THIS DRAWING IS A CONTROLLED DOCUMENT

DIMENSIONS:	TOLERANCES UNLESS OTHERWISE SPECIFIED:	DWN	T. SHUEY	6-16-98
mm	0-PLG ±	CHK	G. SKIPPER	11-23-98
	1-PLG ±	APVD	G. SKIPPER	11-23-98
	2-PLG ±0.05	NAME	SHROUD, TYPE C,Z-PACK 2mm HM, 5 ROW, 77 POSITION	
	3-PLG ±	PRODUCT SPEC	-	
	4-PLG ±	APPLICATION SPEC	-	
	ANGLES ±	WEIGHT	-	
MATERIAL	FINISH	SIZE	CAGE CODE	DRAWING NO
⚠		A100779	C=	646480
		CUSTOMER DRAWING	SCALE	5:1
			SHEET	1 OF 1
			REV	D

AMP Incorporated
 Harrisburg, PA 17105-3608