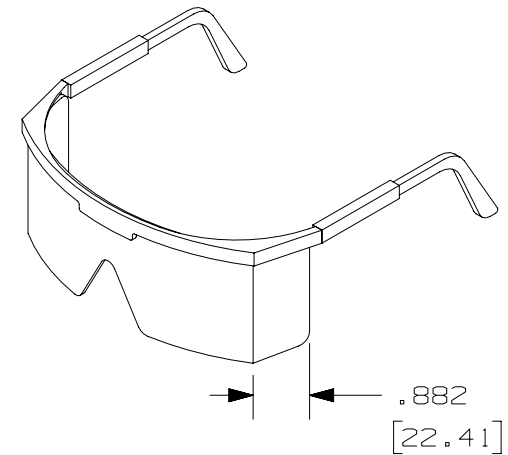
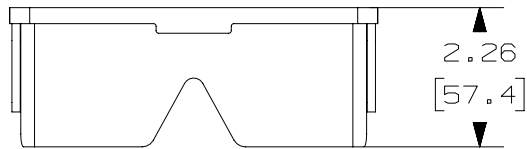
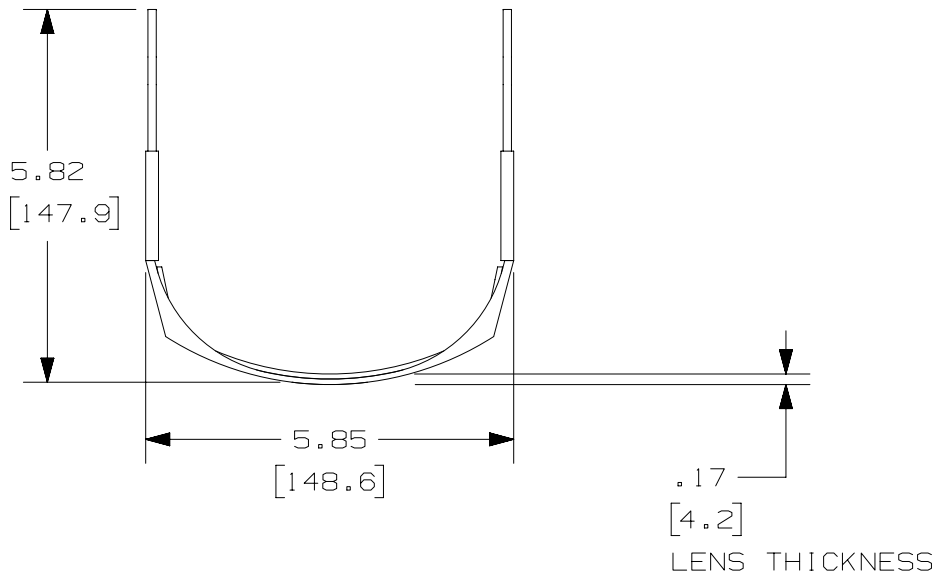


THIS COPY IS PROVIDED ON A RESTRICTED BASIS AND IS NOT TO BE USED IN ANY WAY DETRIMENTAL TO THE INTERESTS OF PANDUIT CORP.

PANDUIT P/N	WEIGHT
FGLS	.068 LB/EA 30.65 g/EA

NOTES:

- SEE CURRENT CATALOG FOR ADDITIONAL PART SUFFIXES TO INDICATE PACKAGE QUANTITY.
- SAFETY GLASSES ARE TO BE USED FOR EYE PROTECTION.
- DIMENSIONS IN [ ] ARE IN METRIC.



PART NUMBER		FGLS	
TITLE			
SAFETY GLASSES WITH SIDEGUARDS			
CUSTOMER DRAWING			
ITEM REVISION NAME		D35560EU/00	
DATASET FILE NAME		D35560EU_DC/00B	
UNLESS OTHERWISE SPECIFIED, DIMENSIONAL TOLERANCES ARE: IN [ mm ]		MATERIAL:	
.x ± .xxx ± .010 [ .3 ]		DRAWING NUMBER:	
.xx ± .03 [ .8 ]		35560 - 98	
THIRD ANGLE PROJECTION		SHT 1 OF 1	
DRAWN BY	DATE	CHK	SCALE
JBA	07-01-97	CEF	NONE
REV	DATE	BY	CHK
2	3/3/15	JSP	WJM
3		RWB	
4			
5			
6			
7			
8			
9			
10			
11			
12			
13			
14			
15			
16			
17			
18			
19			
20			
21			
22			
23			
24			
25			
26			
27			
28			
29			
30			
31			
32			
33			
34			
35			
36			
37			
38			
39			
40			
41			
42			
43			
44			
45			
46			
47			
48			
49			
50			
51			
52			
53			
54			
55			
56			
57			
58			
59			
60			
61			
62			
63			
64			
65			
66			
67			
68			
69			
70			
71			
72			
73			
74			
75			
76			
77			
78			
79			
80			
81			
82			
83			
84			
85			
86			
87			
88			
89			
90			
91			
92			
93			
94			
95			
96			
97			
98			
99			
100			

D101000DA/14