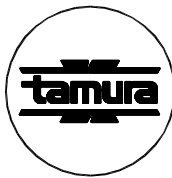


REV. Status

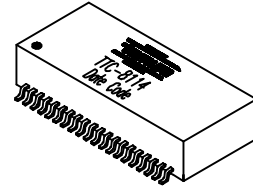
PRELIMINARY
11/01/00 BT

PRELIMINARY 1
MODIFIED
DIMENSIONS
ON PAGE 2,
AND ADDED
LEAKAGE L AND
CWW TO TABLE
01/04/01



10/100 Base-T QUAD Magnetic Module Multi Port, 40 pin SMD

- Complies with IEEE 802.3 Standard
- Surface Mount Device withstands IR reflow profile process
- Operating temperature: 0°C to 70°C
- Enhanced Common Mode Attenuation



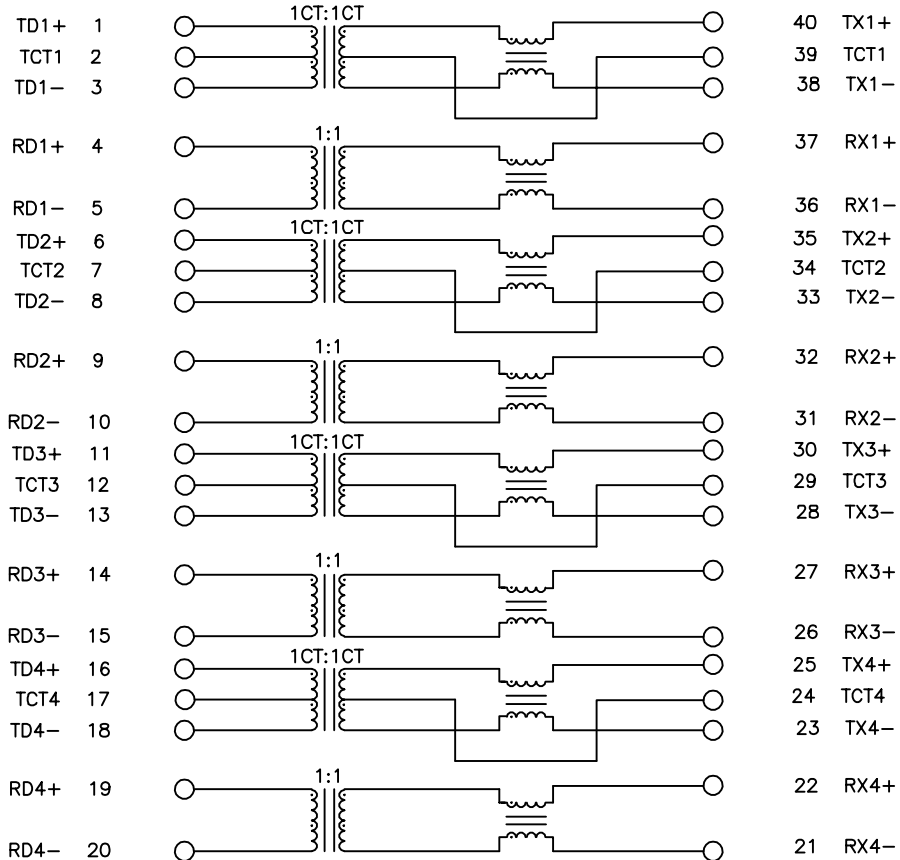
MODEL NUMBER

TTC-8114

Electrical Specification @ 25°C

Insertion Loss (dB Max)	Return Loss (dB Min)			CMRR (dB Min)	Crosstalk (dB Min)	OCL (μ H Min)	Hipot (Vrms)	Leakage L (μ H Max)	Cww (pF Max)
	0.1-30 MHz	60 MHz	80 MHz						
0.1-100 MHz	0.1-30 MHz	60 MHz	80 MHz	0.1-100 MHz	0.1-100 MHz	8mA DC Bias	60 sec	100KHz	100KHz
-1.1	-18	-14	-11	-35	-35	350	1500	0.5	25

PREPARED BY:



PREPARED BY:

D. Rund

ENGINEER:

L. Le

QUALITY CONTROL:

D. Kelley

APPROVED:

B. Taylor

DWG CONTROL NO.
P-A1-12634
ACAD\TTC\A1126341.DWG

REV
PR1

10/100 Base-T QUAD Magnetic
Module, Multi Port, 40 pin SMD

TAMURA CORPORATION OF AMERICA
43352 BUSINESS PARK DRIVE, TEMECULA, CA. 92590-6624
(909) 699-1270 FAX 9096769482

TTC-8114

MODEL SPECIFICATION

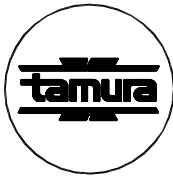
DIM: mm(In) SCL: none SH: 1 OF 2

PROPRIETARY NOTICE: THIS DRAWING PRINT OR DOCUMENT AND SUBJECT MATTER DISCLOSED HEREIN ARE PROPRIETARY ITEMS TO WHICH TAMURA RETAINS THE EXCLUSIVE RIGHT OF DISSEMINATION, REPRODUCTION, MANUFACTURE AND SALE. THIS DRAWING, PRINT OR DOCUMENT IS SUBMITTED IN CONFIDENCE FOR CONSIDERATION BY THE RECIPIENT ALONE UNLESS PERMISSION FOR FURTHER DISCLOSURE IS EXPRESSLY GRANTED IN WRITING.

REV. Status

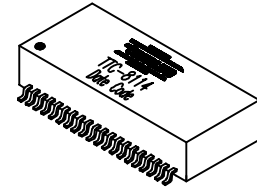
PRELIMINARY
11/01/00 BT

PRELIMINARY 1
MODIFIED
DIMENSIONS
ON PAGE 2,
AND ADDED
LEAKAGE L AND
CWW TO TABLE
01/04/01

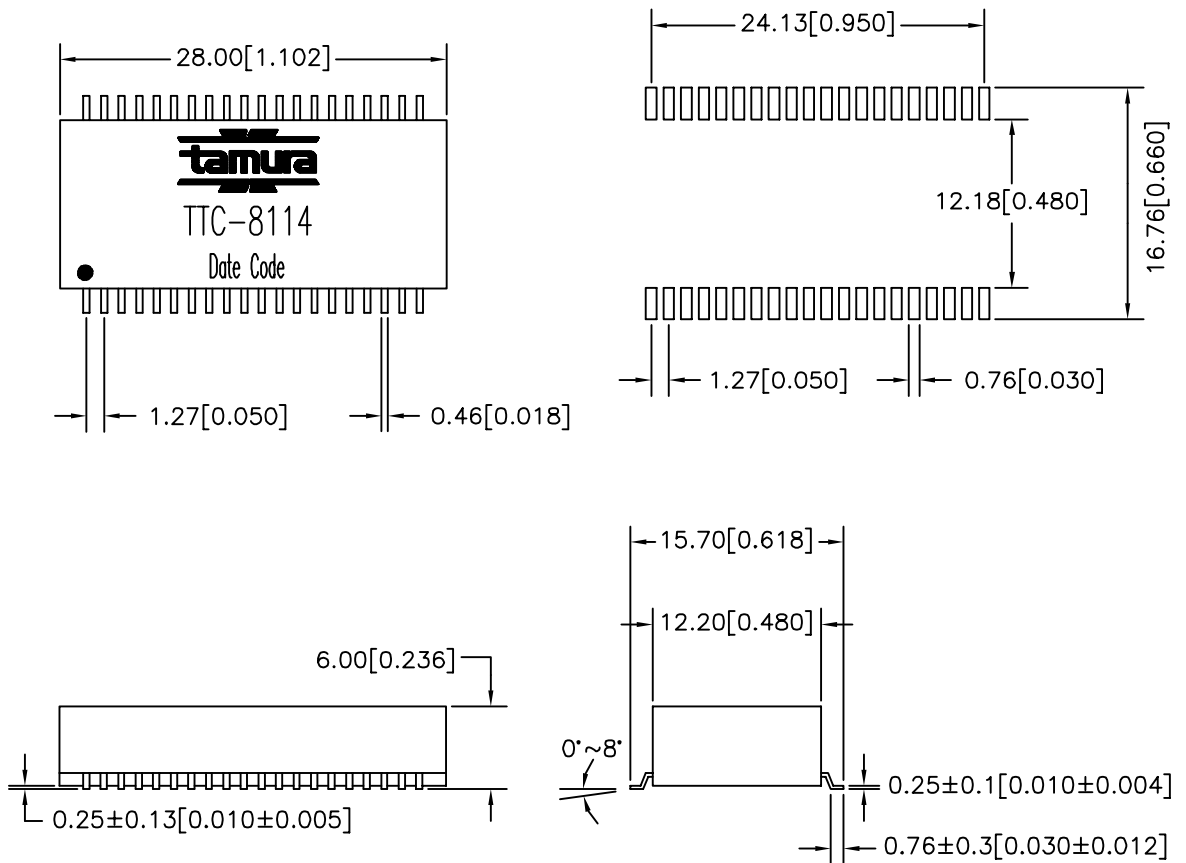


10/100 Base-T QUAD Magnetic Module Multi Port, 40 pin SMD

MODEL NUMBER
TTC-8114



PRELIMINARY



PREPARED BY:

D. Rund

ENGINEER:

L. Le

QUALITY CONTROL:

D. Kelley

APPROVED:

J. Coleman

NOTE: Unless otherwise specified, all dimensions are mm[in] with tolerance of ±0.25[0.010]

DWG CONTROL NO. P-A1-12634 ACAD\TTC\A1126342.DWG	REV PR1	10/100 Base-T QUAD Magnetic Module, Multi Port, 40 pin SMD	TTC-8114	
CONTENTS OF THIS DRAWING ARE SUBJECT TO CHANGE WITHOUT PRIOR NOTICE		TAMURA CORPORATION OF AMERICA 43352 BUSINESS PARK DRIVE, TEMECULA, CA. 92590-6624 (909) 699-1270 FAX 9096769482	MODEL SPECIFICATION	
		DIM: mm(In)		SCL: none
				SH: 2 OF 2

PROPRIETARY NOTICE: THIS DRAWING PRINT OR DOCUMENT AND SUBJECT MATTER DISCLOSED HEREIN ARE PROPRIETARY ITEMS TO WHICH TAMURA RETAINS THE EXCLUSIVE RIGHT OF DISSEMINATION, REPRODUCTION, MANUFACTURE AND SALE. THIS DRAWING, PRINT OR DOCUMENT IS SUBMITTED IN CONFIDENCE FOR CONSIDERATION BY THE RECIPIENT ALONE UNLESS PERMISSION FOR FURTHER DISCLOSURE IS EXPRESSLY GRANTED IN WRITING.