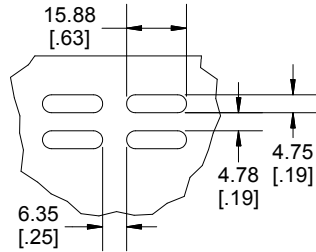
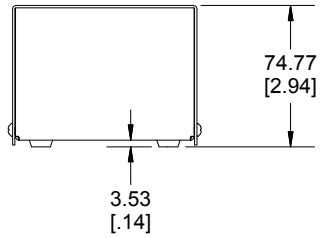


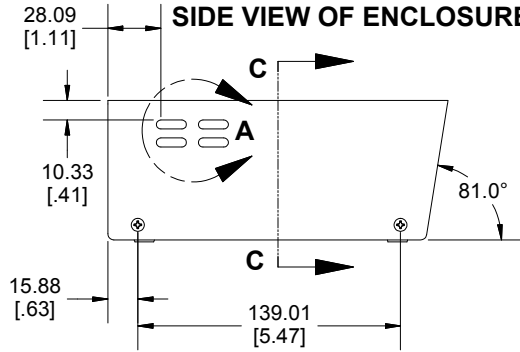
**DETAIL A
SCALE 1 / 2
SIDE VENTS**



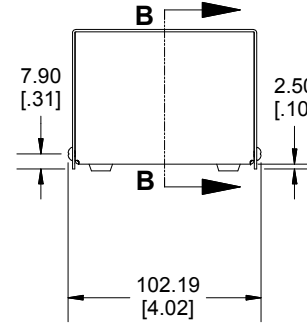
BACK VIEW OF ENCLOSURE



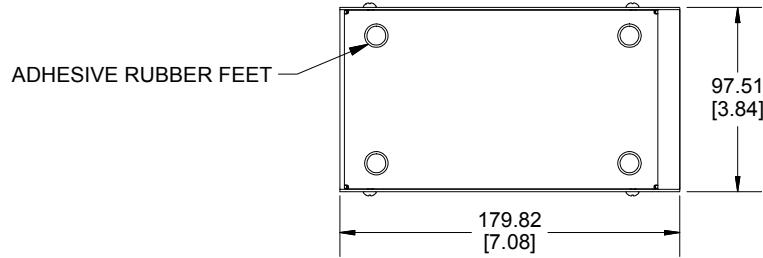
SIDE VIEW OF ENCLOSURE



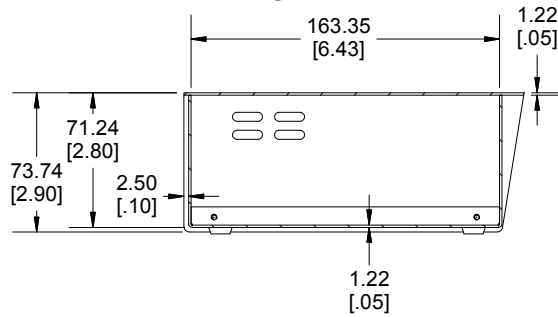
FRONT VIEW OF ENCLOSURE



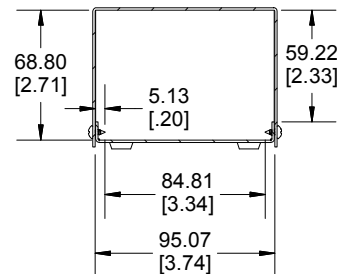
BOTTOM VIEW OF ENCLOSURE



**SECTION B-B
SIDE VIEW**



**SECTION C-C
END VIEW**



Enclosures can be Factory Modified (Milling, Drilling, Printing etc.)
Contact Factory mjm@hammondmfg.com for quotes
Solid models of this enclosure available in STEP or IGES.

NOTE

Case Includes Adhesive Rubber Feet and Required Hardware.
Enclosure Case is Made of 0.05" Steel.

PART NUMBERS

511-0900 Enclosure	
Smooth Light Grey Top Case	511-0900
Dark Satin Grey Base Case	
ACCESSORIES	
Plated Cover Screws (Pkg 50) [#6 x 1/4 Self Tapping]	SC19482-50
Grey Self-Adhesive Rubber Feet (Pkg 4)	1421T2GY

**HAMMOND
MANUFACTURING™**

511-0900

www.hammondmfg.com

Dimensions:
mm
[inches]