

Rectifier Diode Module Types MDO1201-14N1 to MDO1201-22N1

Absolute Maximum Ratings

V _{RRM} [V]	Type
1400	MDO1201-14N1
1800	MDO1201-18N1
2200	MDO1201-22N1



	VOLTAGE RATINGS	MAXIMUM LIMITS	UNITS
V _{RRM}	Repetitive peak reverse voltage ¹⁾	1400-2200	V
V _{RSM}	Non-repetitive peak reverse voltage ¹⁾	1500-2300	V

	OTHER RATINGS	MAXIMUM LIMITS	UNITS
I _{F(AV)M}	Maximum average forward current, T _c =55°C ²⁾	1950	A
I _{F(AV)M}	Maximum average forward current, T _c =100°C ²⁾	1280	
I _{F(AV)M}	Maximum average forward current, T _c =85°C ²⁾	1520	
I _{F(RMS)M}	Nominal RMS forward current, T _c =25°C ²⁾	3665	
I _{T(d.c.)}	D.C. forward current, T _c =25°C	2940	
I _{FSM}	Peak non-repetitive surge t _p =10ms, V _{rm} =60%V _{RRM} ³⁾	36	kA
I _{FSM2}	Peak non-repetitive surge t _p =10ms, V _{rm} ≤10V ³⁾	40	kA
I ² t	I ² t capacity for fusing t _p =10ms, V _{rm} =60%V _{RRM} ³⁾	6.48×10 ⁶	A ² s
I ² t	I ² t capacity for fusing t _p =10ms, V _{rm} ≤10V ³⁾	8.00×10 ⁶	A ² s
V _{ISOL}	Isolation Voltage ⁴⁾	3000	V
T _{vj op}	Operating temperature range	-40 to +160	°C
T _{stg}	Storage temperature range	-55 to +160	°C

Notes:

- 1) De-rating factor of 0.13% per °C is applicable for T_{vj} below 25°C.
- 2) Single phase; 50 Hz, 180° half-sinewave.
- 3) Half-sinewave, 160°C T_{vj} initial.
- 4) AC RMS voltage, 50 Hz, 1min test

Characteristics

	PARAMETER	MIN.	TYP.	MAX.	TEST CONDITIONS ¹⁾	UNITS
V _{FM}	Maximum peak forward voltage	-	-	0.97	I _{FM} =1700A	V
		-	-	1.15	I _{FM} =3400A	V
V _{T0}	Threshold voltage	-	-	0.80		V
r _T	Slope resistance	-	-	0.10		mΩ
I _{R_{RRM}}	Peak reverse current	-	-	5	Rated V _{RRM} , T _j =25°C	mA
		-	-	70	Rated V _{RRM}	
R _{thJC}	Thermal resistance, junction to case	-	-	0.042		K/W
R _{thCH}	Thermal resistance, case to heatsink	-	-	0.010		K/W
F ₁	Mounting torque (to heatsink)	5.1	-	6.9		Nm
F ₂	Mounting torque (to terminals)	16.2	-	19.8		Nm
W _t	Weight	-	2.8	-		kg

Notes:

1) Unless otherwise indicated T_{vj}=160°C.

Notes on Ratings and Characteristics

1.0 Voltage Grade Table

Voltage Grade	V_{RRM} V	V_{RSM} V	V_R DC V
14	1400	1500	800
18	1800	1900	1000
20	2000	2100	1100
22	2200	2300	1200

2.0 Extension of Voltage Grades

This report is applicable to other voltage grades when supply has been agreed by Sales/Production.

3.0 De-rating Factor

A blocking voltage de-rating factor of 0.13%/°C is applicable to this device for T_{vj} below 25°C.

4.0 Repetitive dv/dt

Standard dv/dt is 1000V/μs.

5.0 Snubber Components

When selecting snubber components, care must be taken not to use excessively large values of snubber capacitor or excessively small values of snubber resistor. Such excessive component values may lead to device damage due to the large resultant values of snubber discharge current. If required, please consult the factory for assistance.

6.0 Computer Modelling Parameters

6.1 Diode dissipation calculations

$$I_{AV} = \frac{-V_{T0} + \sqrt{V_{T0}^2 + 4 \cdot ff^2 \cdot r_T \cdot W_{AV}}}{2 \cdot ff^2 \cdot r_T} \quad \text{and:} \quad W_{AV} = \frac{\Delta T}{R_{th}}$$

$$\Delta T = T_{j \max} - T_C$$

Where $V_{T0} = 0.80V$, $r_T = 0.10m\Omega$.

R_{th} = Supplementary thermal impedance, see table below and

ff = Form factor, see table below.

Supplementary Thermal Impedance				
Conduction Angle	6 phase (60°)	3 phase (120°)	½ wave (180°)	d.c.
Square wave	0.0460	0.0448	0.0439	0.0420
Sine wave	0.0453	0.0442	0.0428	

Form Factors				
Conduction Angle	6 phase (60°)	3 phase (120°)	½ wave (180°)	d.c.
Square wave	2.449	1.732	1.414	1
Sine wave	2.778	1.879	1.57	

6.2 Calculating diode V_F using ABCD coefficients – For loss calculations

The forward characteristic, I_F vs. V_F , is represented in two ways;

- (i) the well established V_{T0} and r_T tangent used for rating purposes and
- (ii) a set of constants A, B, C, D, forming the coefficients of the equation for V_F in terms of I_T given below:

$$V_F = A + B \cdot \ln(I_F) + C \cdot I_F + D \cdot \sqrt{I_F}$$

The ABCD constants are given below for both hot and cold characteristics. The resulting values for V_F agree with the true device characteristic over a current range, which is limited to that plotted.

25°C Coefficients		160°C Coefficients	
A	0.7455207	A	0.4701738
B	0.04542294	B	0.05180998
C	7.02344×10^{-5}	C	8.913584×10^{-5}
D	-1.458635×10^{-3}	D	-8.375765×10^{-4}

6.3 D.C. Thermal Impedance Calculation

$$r_t = \sum_{p=1}^{p=n} r_p \cdot \left(1 - e^{-\frac{t}{\tau_p}} \right)$$

n = number of terms in the series and
 t = duration of heating pulse in seconds.
 r_t = thermal resistance at time t .

r_p = Amplitude of p_{th} term.
 τ_p = Time Constant of r_{th} term.

The coefficients for this device are shown in the tables below:

D.C. Junction to Case			
Term	1	2	3
r_p	0.01904887	0.01751398	5.364393×10^{-3}
τ_p	21.99824	1.079638	0.0132514

Curves

Figure 1 – Forward Characteristics of Limit Device

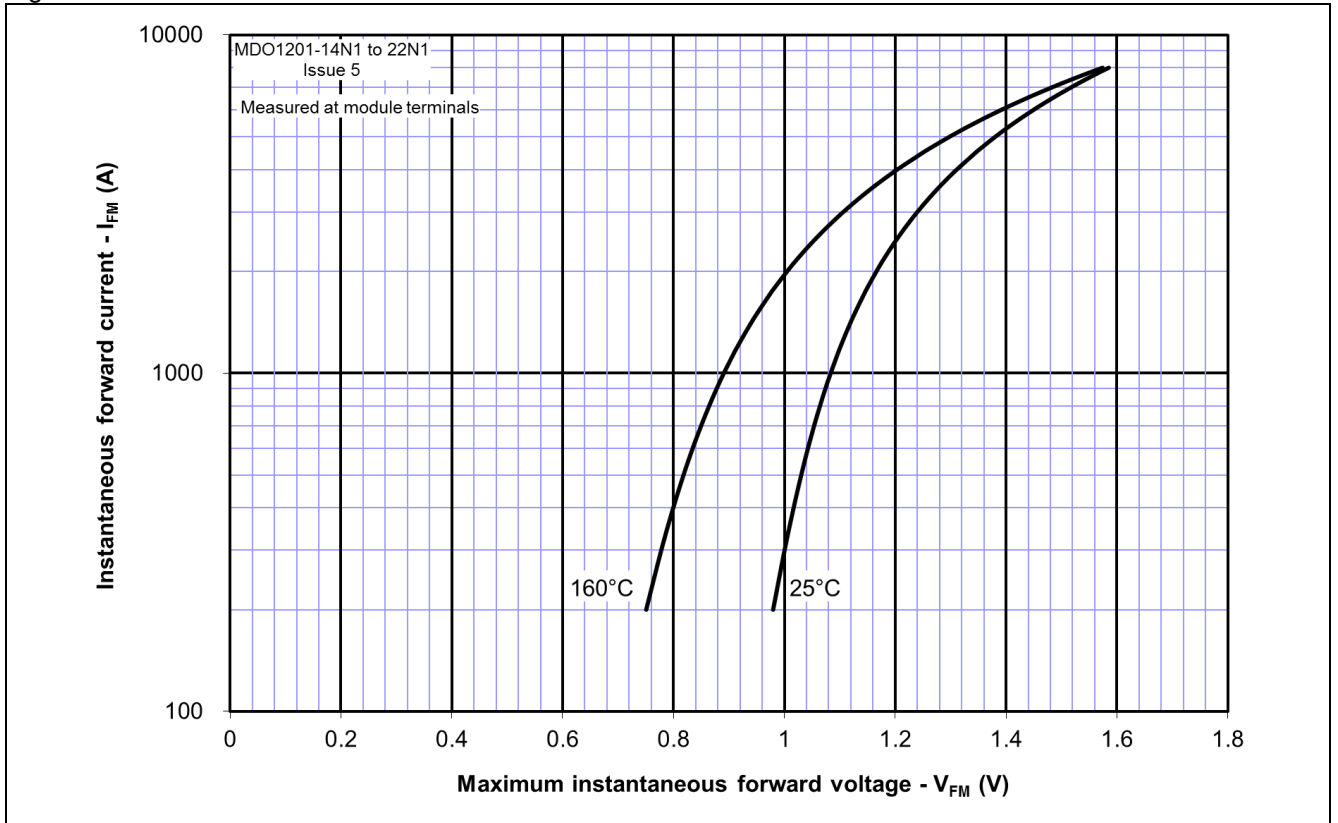


Figure 2 – Transient Thermal Impedance

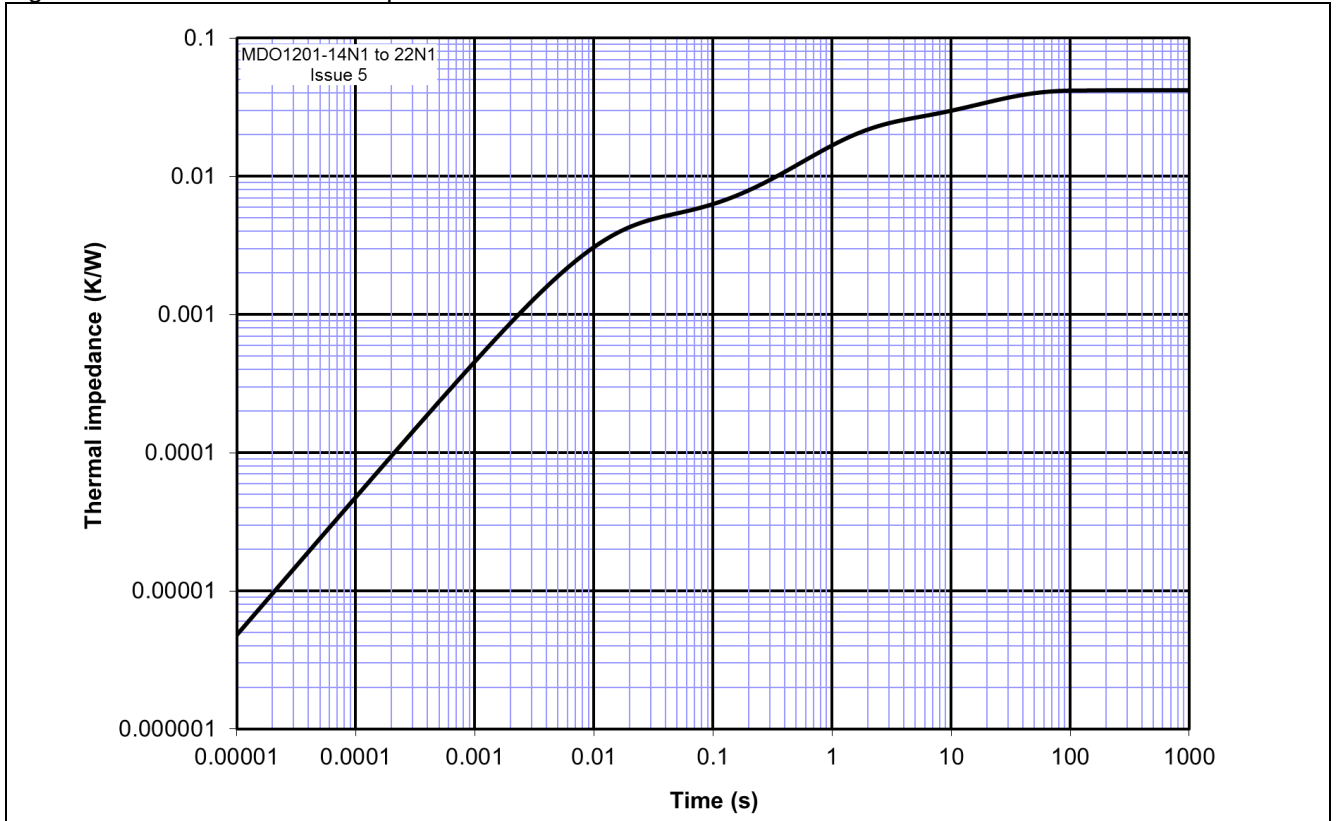


Figure 3 – Forward current vs. Power dissipation

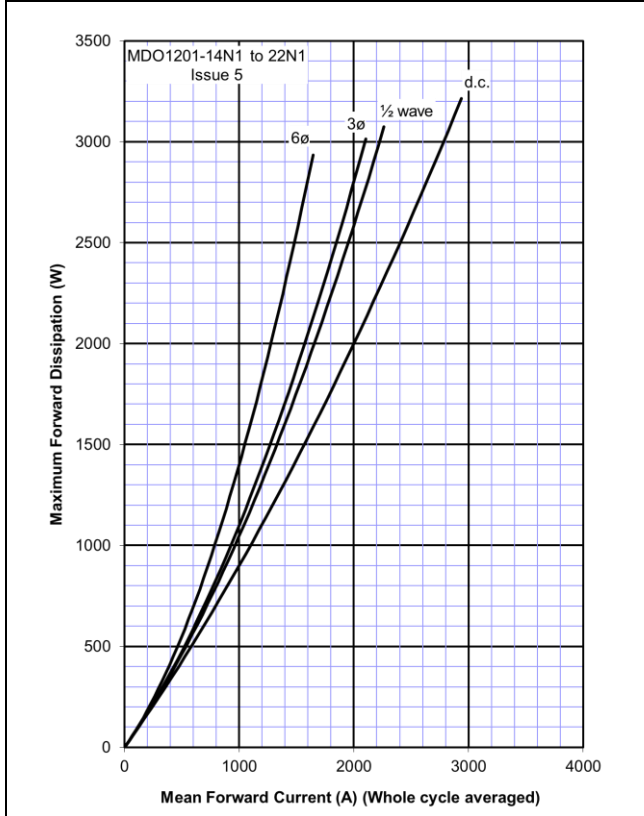


Figure 4 – Forward current vs. Heatsink temperature

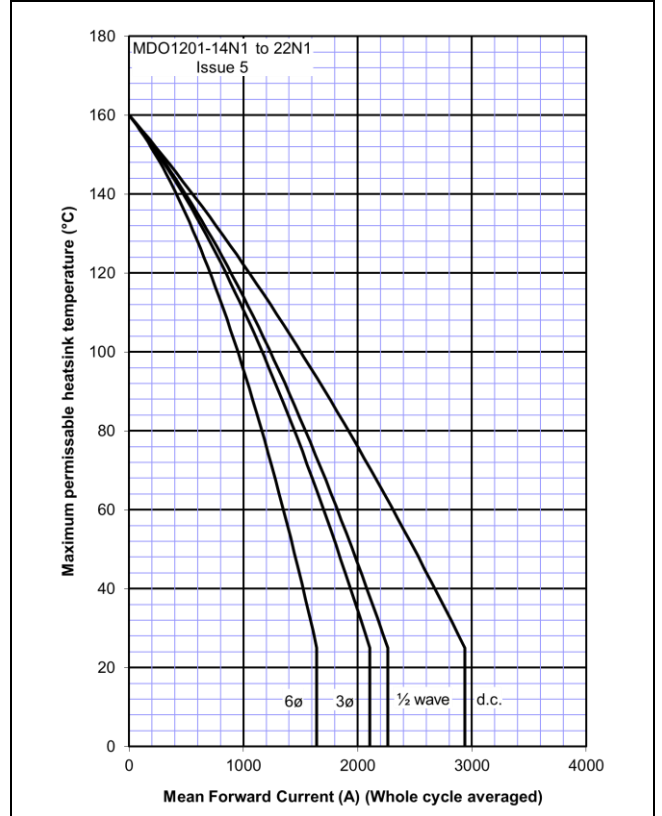
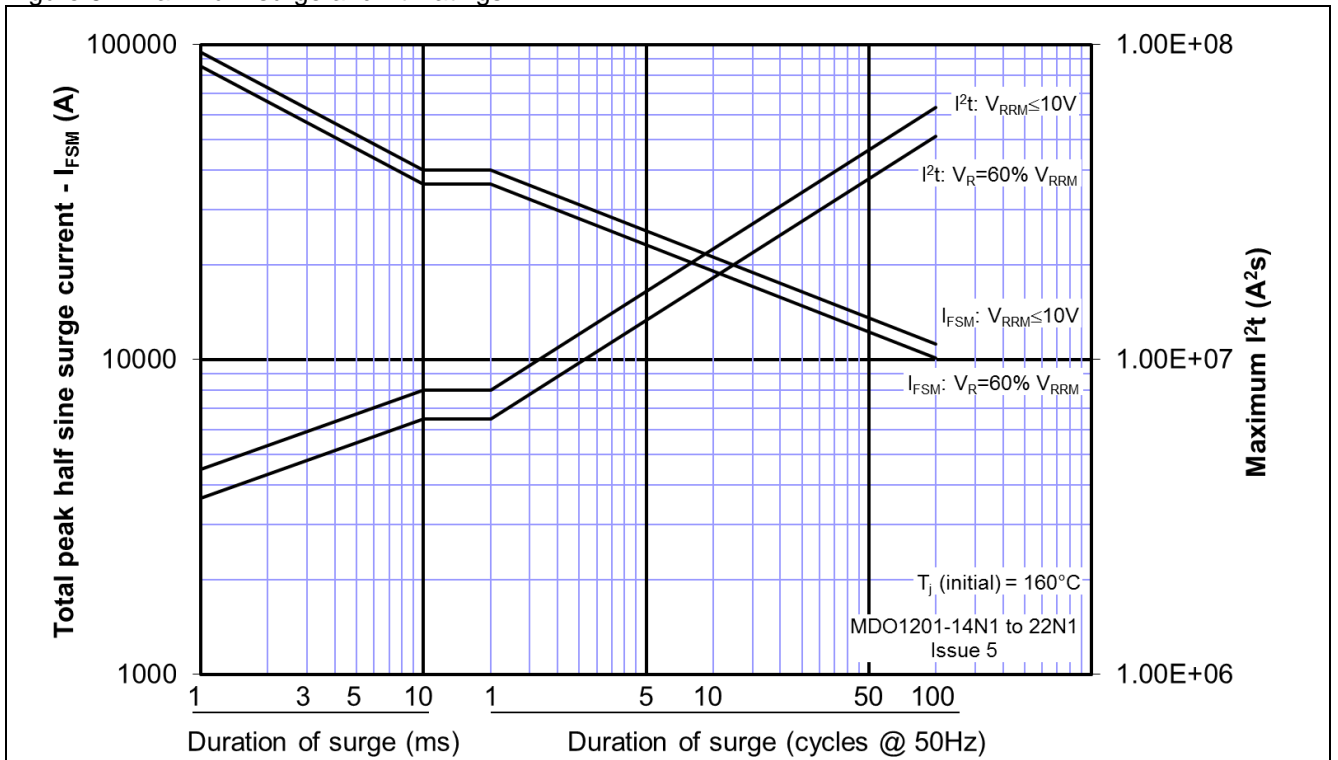
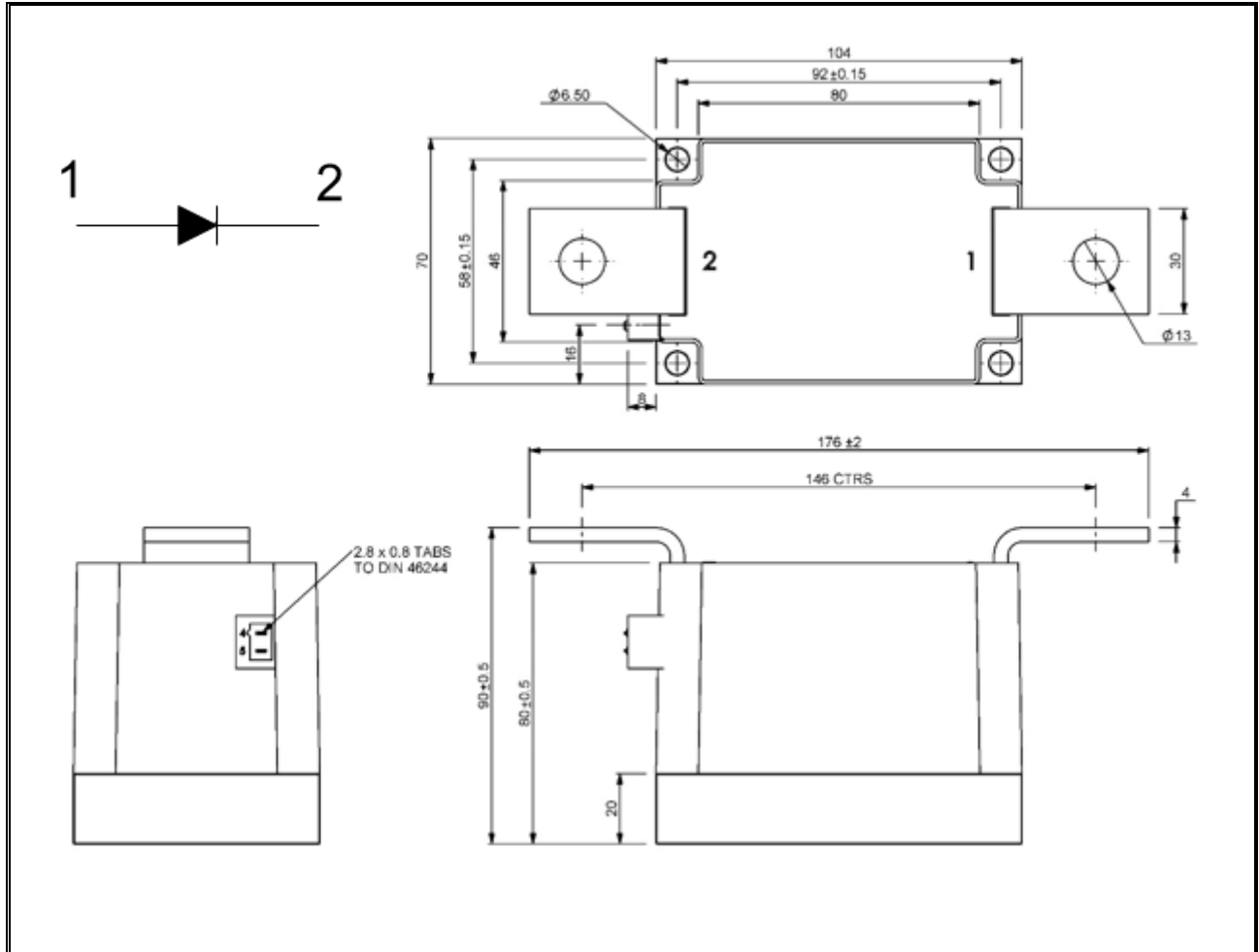


Figure 5 – Maximum surge and I²t Ratings



Outline Drawing & Ordering Information



ORDERING INFORMATION

(Please quote 11 digit code as below)

M	DO	1201	◆◆	N	1
Fixed Type Code	Fixed Configuration code	Nominal Current Rating	Voltage code $V_{RRM}/100$ 16-22	Standard diode	Fixed Version Code

Typical order code: MDO1201-22N1, 2200V V_{RRM} Rectifier Diode Module

IXYS Semiconductor GmbH
Edisonstraße 15
D-68623 Lampertheim
Tel: +49 6206 503-0
Fax: +49 6206 503-627
E-mail: marcom@ixys.de



IXYS UK Westcode Ltd
Langley Park Way, Langley Park,
Chippenham, Wiltshire, SN15 1GE.
Tel: +44 (0)1249 444524
Fax: +44 (0)1249 659448
E-mail: sales@ixysuk.com

IXYS Corporation
1590 Buckeye Drive
Milpitas CA 95035-7418
Tel: +1 (408) 547 9000
Fax: +1 (408) 496 0670
E-mail: sales@ixys.net

www.ixysuk.com

www.ixys.com

IXYS Long Beach, Inc
IXYS Long Beach, Inc
2500 Mira Mar Ave, Long Beach
CA 90815
Tel: +1 (562) 296 6584
Fax: +1 (562) 296 6585
E-mail: service@ixyslongbeach.com

The information contained herein is confidential and is protected by Copyright. The information may not be used or disclosed except with the written permission of and in the manner permitted by the proprietors IXYS UK Westcode Ltd.

© IXYS UK Westcode Ltd.

In the interest of product improvement, IXYS UK Westcode Ltd reserves the right to change specifications at any time without prior notice.

Devices with a suffix code (2-letter, 3-letter or letter/digit/letter combination) added to their generic code are not necessarily subject to the conditions and limits contained in this report.