

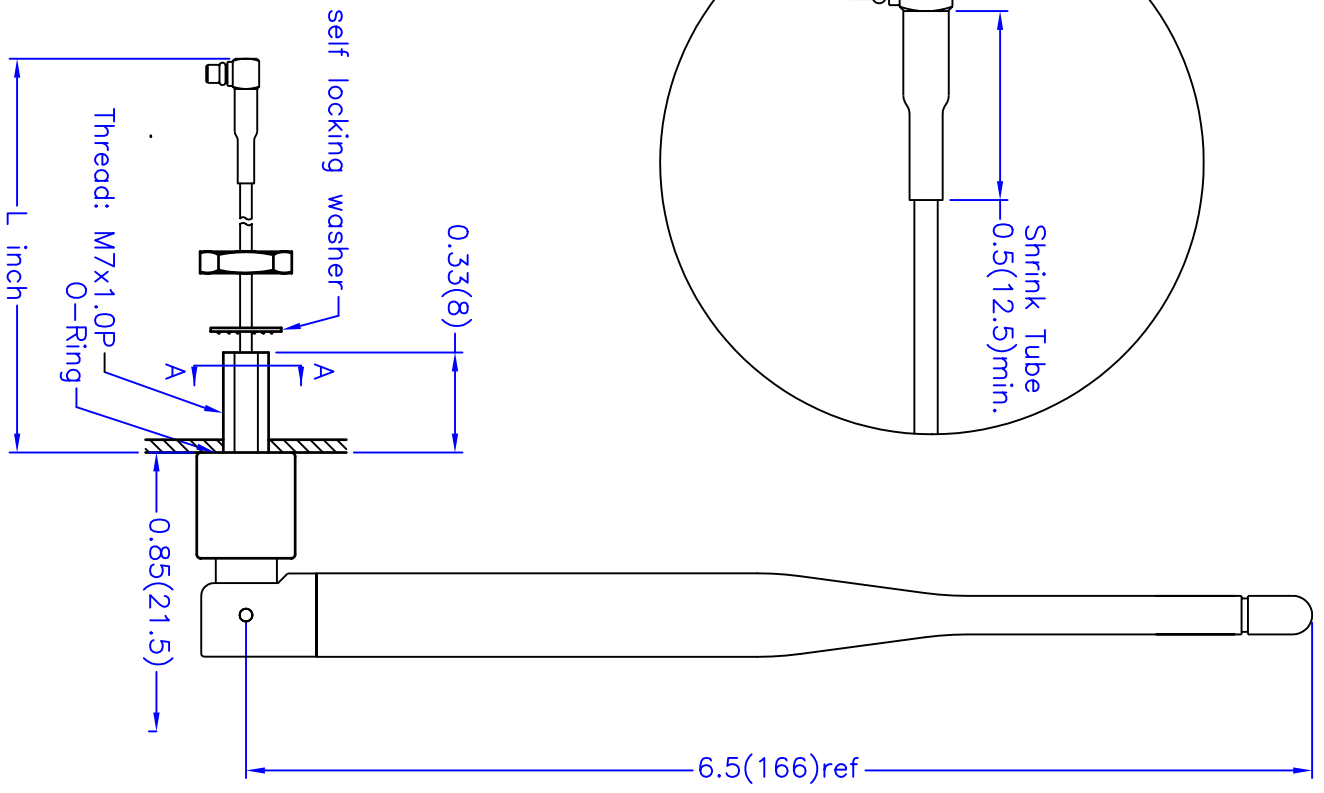
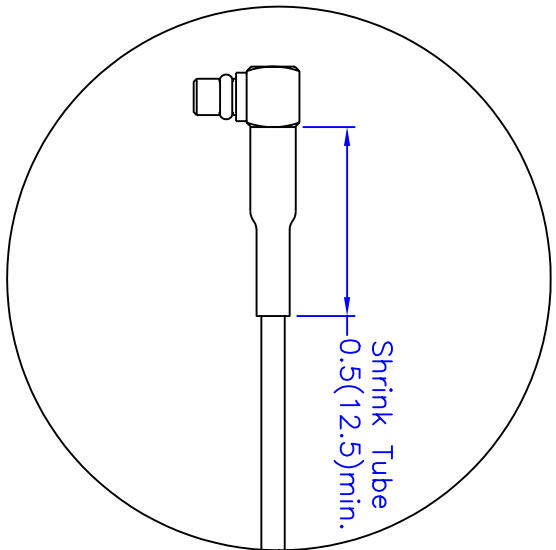
P/N S151FL-L-RMM-2450S

Alternative Connectors

Straight MMCX Plug

P/N: S151FL-L-MM-2450S

ECN	Date	Description
	8/30/02	change mounting thread/hole from round to double D-cut

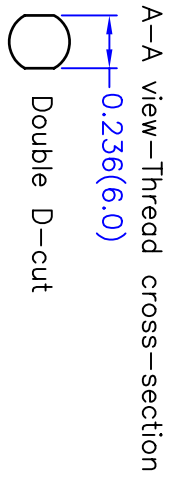


Electrical Properties:

Frequency Range: 2.4~2.5 GHz
 Impedance: 50Ω nominal
 VSWR: <2.0:1
 Gain: *5.0 dBi
 Radiation: Omni
 Polarization: Vertical
 *Gain is measured under without flying lead.

Mechanical Properties:

Cable: M17/93-RG178; Harbour Industries
 Cable Length: Standard length L=5 inches. or to be specified.
 Connector: R/A MMCX Plug(male); Nearson 25-03M-TGG
 Material:
 Overmold: Polyurethane(Black); BASF
 Swivel: Polycarbonate(Black); Bayer
 Operation Temp.: -20°C to +65°C
 Storage Temp.: -30°C to +75°C



TITLE	UNIT	SCALE	DATE	SHEET
2.4GHz Fixed Mount Swivel Antenna - 151 Model	in.(mm)	None		1 of 2
DWG. NO. S151FL-L-RMM-2450S		NEARSON		

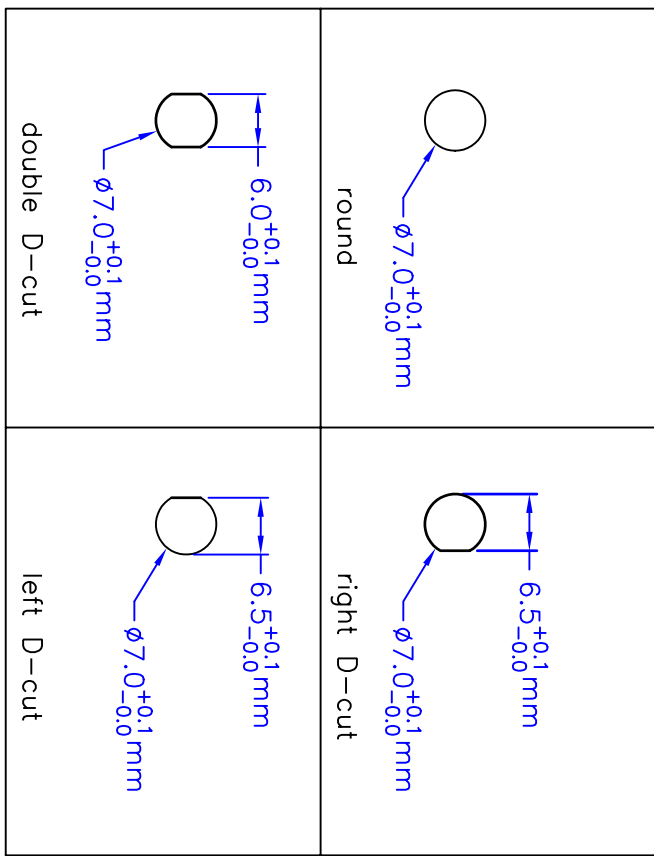
P/N S151FL-L-RMM-2450S

Alternative Connectors

.Straight MMCX Plug

P/N: S151FL-L-MM-2450S

ECN	Date	Description
	8/30/02	change mounting thread/hole from round to double D-cut



Recommended Mounting—Hole Dimensions

L (inch)	Attenuation (dB)
3"	0.20 dB
4"	0.27 dB
5"	0.33 dB
6"	0.40 dB
8"	0.53 dB
10"	0.66 dB
12"	0.79 dB

Flying Lead Cable Length v.s. Attenuation Table
Standard M17/93-RG178 Cable Measured @ 2.4GHz

TITLE	2.4GHz Fixed Mount Swivel Antenna - 151 Model	DATE	SHEET
UNIT	DWG. NO. S151FL-L-RMM-2450S		2 of 2
in.(mm)			
SCALE			
None			

NEARSON