

MATERIALS AND FINISH

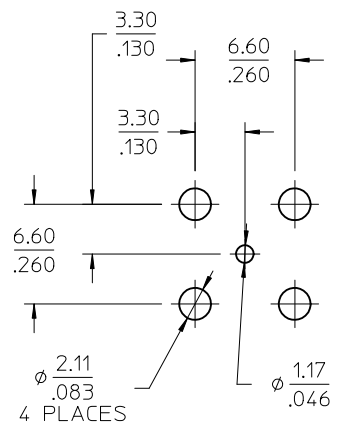
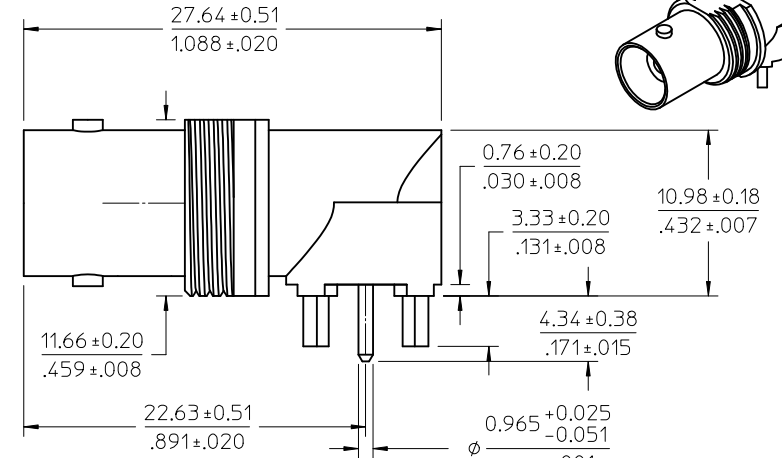
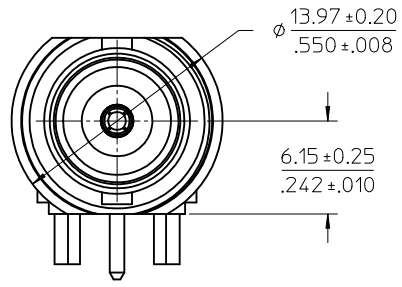
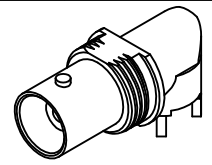
BODY: ZINC ALLOY  
PLATED: SEE TABLE

CENTER CONTACT: PHOSPHOR BRONZE  
PLATED: GOLD

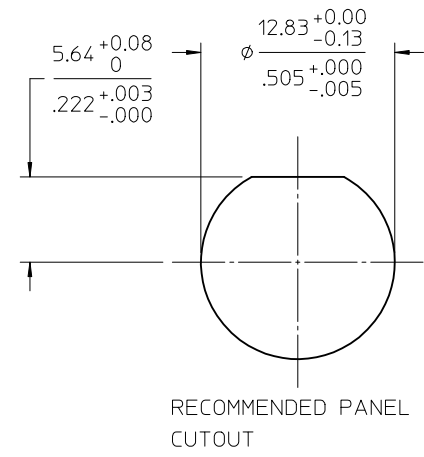
INSULATOR: TEFLON

JAM NUT: BRASS  
PLATED: NICKEL

LOCK WASHER: PHOSPHOR BRONZE  
PLATED NICKEL

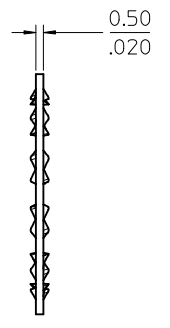
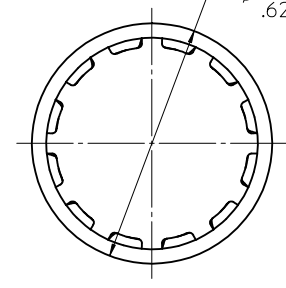
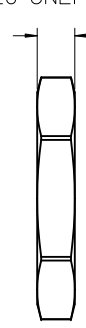
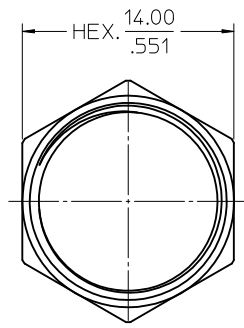
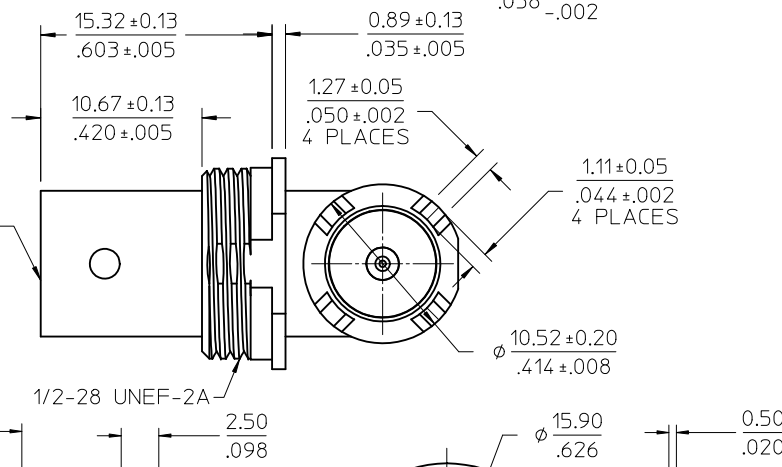


RECOMMENDED PCB HOLE PATTERN



RECOMMENDED PANEL CUTOUT

BNC JACK INTERFACE



73171-1362	INCLUDED	NICKEL
73171-1361	INCLUDED	TIN
73171-1360	NOT INCLUDED	TIN
PART NO.	WASHER/NUT	BODY PLATING

MIL-STD-348A, FIG. 301.2	INTERFACE
SPECIFICATION	DESCRIPTION

CHG: ADD 73171-1362  
EC NO: URF2012-0444  
DRWN: JWIENER 2012/02/01  
CHKD: SSS 2012/02/01  
APPR: JWIENER 2012/02/06

QUALITY SYMBOLS  
▽=0  
▽=0

GENERAL TOLERANCES (UNLESS SPECIFIED)

	mm	INCH
4 PLACES ±	---	---
3 PLACES ±	---	---
2 PLACES ±	---	---
1 PLACE ±	---	---

ANGULAR ± 2 °

DRAFT WHERE APPLICABLE  
MUST REMAIN  
WITHIN DIMENSIONS

DIMENSION STYLE  
MM/IN

SCALE  
METRIC

DESIGN UNITS  
METRIC

THIRD ANGLE PROJECTION

DRAWN BY DATE  
TEF 2000/08/29

CHECKED BY DATE  
SSS 2000/08/29

APPROVED BY DATE  
GMH 2000/08/29

MATERIAL NO.  
SEE TABLE

DOCUMENT NO.  
SD-73171-136

SHEET NO.  
1 OF 1

THIS DRAWING CONTAINS INFORMATION THAT IS PROPRIETARY TO MOLEX INCORPORATED AND SHOULD NOT BE USED WITHOUT WRITTEN PERMISSION

TITLE  
BNC JACK, R/A, PCB  
50 OHMS, BULKHEAD  
BNC-J/PCB

MOLEX INCORPORATED