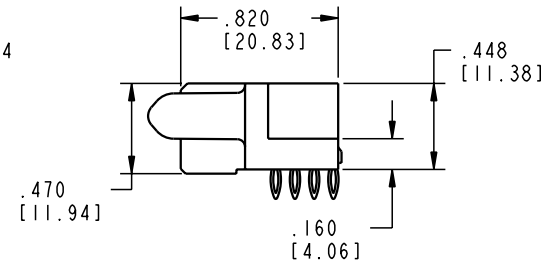
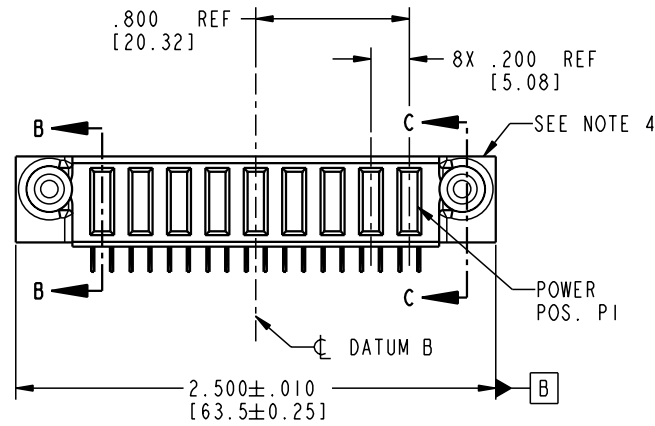
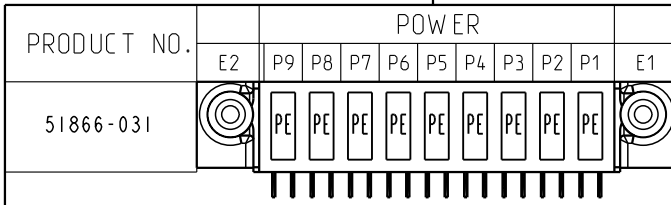


Tous droits strictement reserves. Reproduction ou communication a des tiers interdite sous quelque forme que ce soit sans autorisation écrite du propriétaire. Propriete de c FCI. Droits de reproduction FCI.

All rights strictly reserved. Reproduction or issue to third parties in any form whatever is not permitted without written authority from the proprietor. Property of FCI. Copyright FCI.



CODE	DIM "M" MATING LENGTH	CONTACT TYPE
PE	.042 [1.07]	POWER

mat'l code SEE NOTE 2				tolerances unless otherwise specified				CUSTOMER		 www.fciconnect.com	
ltr	ecm no.	dr	date	linear	.XX±.01/0.X±0.3			COPY		title	
A	V04-1134	TAB	11/22/04		.XXX±.005/0.XXX±0.13			projection		9P	
					.XXX±.0020/0.XXX±0.051					R/A PRESS-FIT RECEPTACLE	
					° ± °			INCH/MM		product family	
				dr	T. BRUNGARD	11/22/04	scale		PwrBlade		code
				engr	M. GRAY	11/22/04	1:1		size		213
				chr	M. GRAY	11/22/04			dwg no		sheet
				appd	M. GRAY	11/22/04			A 51866-031		1 of 4
sheet index	revision sheet	A 1	A 2	A 3	A 4						

FCI

FCI

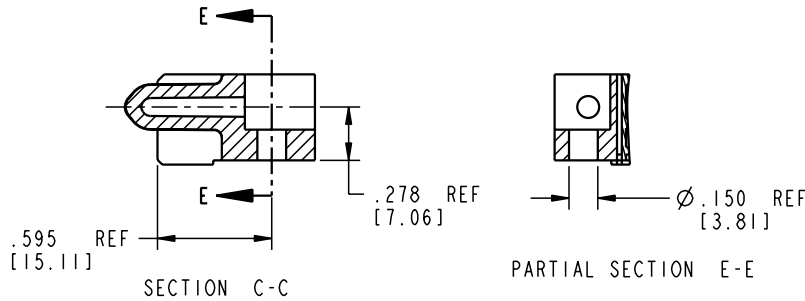
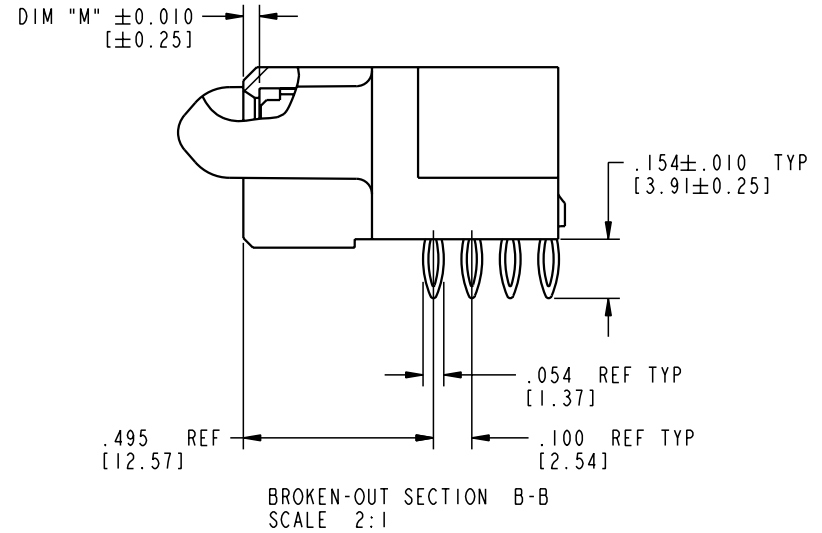
Pro/E

cage code 22526

Tous droits strictement reserves. Reproduction ou communication a des tiers interdite sous quelque forme que ce soit sans autorisation ecrite du proprietaire. Propriete de c FCI. Droits de reproduction FCI.

All rights strictly reserved. Reproduction or issue to third parties in any form whatever is not permitted without written authority from the proprietor. Property of FCI. Copyright FCI.

PRODUCT NUMBER
51866-031



mat'l code				SEE NOTE 2	tolerances unless otherwise specified		CUSTOMER		 www.fciconnect.com	
ltr	ecn no.	dr	date	linear	.XX±.01/0.X±0.3	COPY		 INCH/MM	title	
A					.XXX±.005/0.XX±0.13	projection			9P	
					.XXX±.0020/0.XXX±0.051	 INCH/MM			R/A PRESS-FIT RECEPTACLE	
					° ±°	scale			product family	
sheet index		revision sheet		dr	T. BRUNGARD	11/22/04	PwrBlade		code	
				enr	M. GRAY	11/22/04	size		213	
				chr	M. GRAY	11/22/04	A		51866-031	
				appd	M. GRAY	11/22/04	scale		2 of 4	

cage code 22526

Pro/E

PDM: Rev:A

STATUS: Released

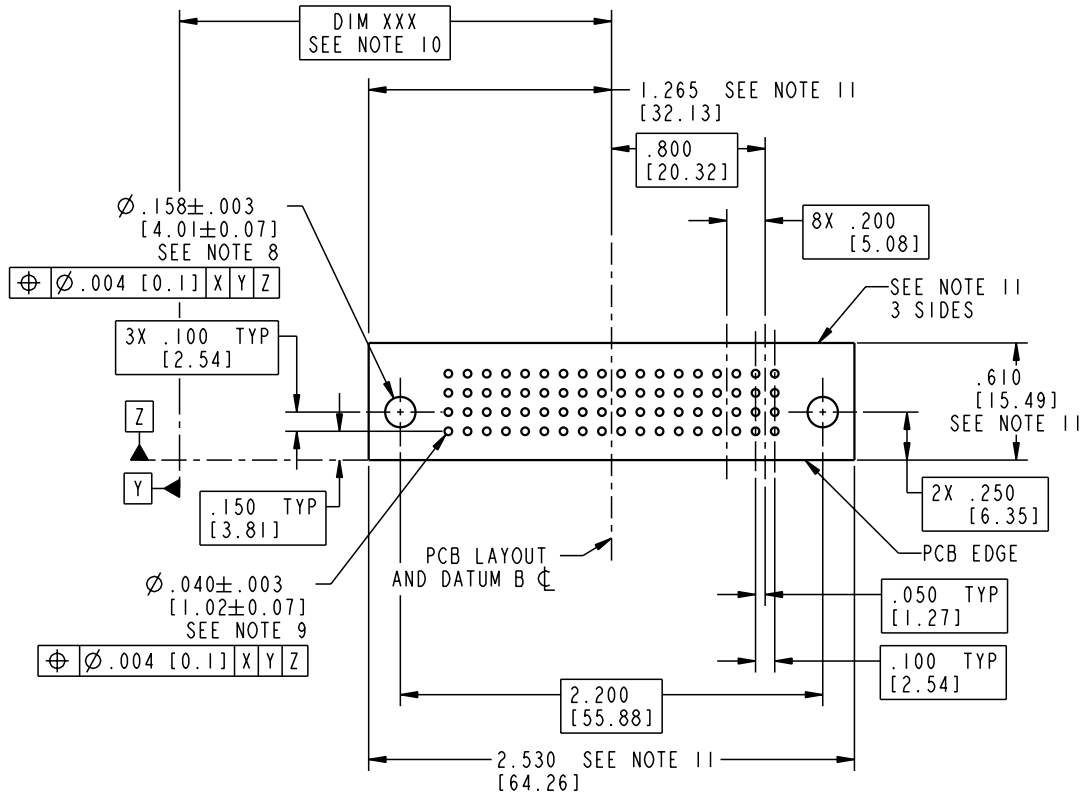
Printed: Dec 20, 2010

Tous droits strictement réservés. Reproduction ou communication o des tiers interdite sous quelque forme que ce soit sans autorisation écrite du propriétaire. Propriete de c FCI. Droits de reproduction FCI.

All rights strictly reserved. Reproduction or issue to third parties in any form, whenever is not permitted without written authority from the proprietor. Property of FCI. Copyright FCI.



PRODUCT NUMBER
51866-031



mat'l code				SEE NOTE 2		tolerances unless otherwise specified		CUSTOMER		 www.fciconnect.com	
ltr	ecn no.	dr	date	linear	.XX ± .01/0.X ± 0.3	projection	COPY		title		
A				angles	.XXX ± .005/0.XX ± 0.13		9P		R/A PRESS-FIT RECEPTACLE		
				dr	.XXX ± .0020/0.XXX ± 0.051	INCH/MM	product family		PwrBlade		code
				enr	T. BRUNGARD 11/22/04	scale	size		dwg no		sheet
				chr	M. GRAY 11/22/04	1:1	A		51866-031		3 of 4
				appd	M. GRAY 11/22/04						
sheet index	revision sheet										

Pro/E

cage code 22526

Tous droits strictement réservés. Reproduction ou communication o des tiers interdite sous quelque forme que ce soit sans autorisation écrite du propriétaire. Propriété de c FCI. Droits de reproduction FCI.

A
FCI

All rights strictly reserved. Reproduction or issue to third parties in any form whatever is not permitted without written authority from the proprietor. Property of FCI. Copyright FCI.

B

PRODUCT NUMBER

51866-031

NOTES:

1. DIMENSIONS AND TOLERANCES ARE IN ACCORDANCE WITH ASME Y14.5M, 1994 UNLESS OTHERWISE SPECIFIED.

CONNECTOR NOTES:

- 2. HOUSING MATERIAL: UL 94 V-0 GLASS FILLED
HIGH-TEMP THERMOPLASTIC
POWER CONTACT MATERIAL: COPPER ALLOY
SIGNAL PIN MATERIAL: COPPER ALLOY
- 3. PLATING:
SIGNAL PINS: 30u"/0.76um Au OVER 50u"/1.27um Ni
POWER CONTACTS: 50u"/1.27um Ni UNDER ALL
WITH 30u"/0.76um Au ON CONTACT AREA
AND SnPb ON PCB INTERFACE
- 4. MANUFACTURER'S NAME, P/N, AND DATE CODE TO APPEAR ON THIS SURFACE.
- 5. PRODUCT SPECIFICATION GS-12-149.
APPLICATION SPECIFICATION BUS-20-067.


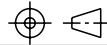
6. PACKAGED IN TRAYS.

PCB NOTES:

- 7. ALL HOLE DIAMETERS ARE FINISHED HOLE SIZE.
- 8. MOUNTING HOLES, WHERE APPLICABLE, ARE UNPLATED.
- 9. $\varnothing .0453 \pm .0010$ [1.151 \pm 0.025] DRILLED HOLES PLATED WITH .0003 [0.008] MIN SnPb OVER .001 [0.03] TO .003 [0.08] Cu PLATING TO ACHIEVE $\varnothing .040 \pm .003$ [1.02 \pm .07] HOLE.
- 10. "DIM XXX" TO BE DETERMINED BY THE CUSTOMER.

11. CONNECTOR KEEP-OUT ZONE.

12. USE FCI CAM TOOL 430140-022 TO APPLY CONNECTOR TO PCB.

mat'l code		SEE NOTE 2		tolerances unless otherwise specified		CUSTOMER		 FCI www.fciconnect.com			
ltr	ecn no.	dr	date	linear	.XX±.01/0.X±0.3	COPY					
A				linear	.XXX±.005/0.XX±0.13	projection		title	9P		
				angles	.XXX±.0020/0.XXX±0.051 0°+?°			R/A PRESS-FIT RECEPTACLE			
				dr	T. BRUNGARD 11/22/04	INCH/MM		product family	PwrBlade	code	
				enrg	M. GRAY 11/22/04	scale		size	dwg no	sheet	213
				chr	M. GRAY 11/22/04	1:1		A	51866-031	4 of 4	
				appd	M. GRAY 11/22/04						
sheet index	revision sheet										

A

B

1 | 2

3 |

4

1 | 2

Pro/E

3 |

cage code 22526

4

PDM: Rev:A

STATUS: **Released**

Printed: Dec 20, 2010