

USER GUIDE**Introduction**

This User Guide introduces the Evaluation Kit and describes the development and debugging capabilities running on Atmel® | SMART SAM9 ARM®-based Embedded MPUs as listed below:

- SAM9G15
- SAM9G25
- SAM9X25
- SAM9G35
- SAM9X35

The User Guide pertains to the following Evaluation Kit references:

- SAM9G15-EK
- SAM9G25-EK
- SAM9X25-EK
- SAM9G35-EK
- SAM9X35-EK

Contents

- Board
 - One EK board
 - One of the five available CPU modules (CM)
 - SAM9G15-CM
 - SAM9G35-CM
 - SAM9X35-CM
 - SAM9G25-CM
 - SAM9X25-CM
 - One optional DM board featured in SAM9G15, SAM9G35, SAM9X35 kits only.
- Power supply
 - Universal input AC/DC power supply with US, Europe and UK plug adapters
 - One 3V Lithium Battery type CR1225
- Cables
 - One serial RS232 cable
 - One micro A/B-type USB cable
 - One RJ45 crossed cable
- A Welcome Letter

Board Photo (Display module is optional)



Related Documents

Title	Reference	Comment
SAM9G15 Datasheet	Atmel lit° 11052	These documents provide technical support for each of the Atmel ARM-based Embedded MPU products supported by these Evaluation Kits.
SAM9G25 Datasheet	Atmel lit° 11032	
SAM9X25 Datasheet	Atmel lit° 11054	
SAM9G35 Datasheet	Atmel lit° 11053	
SAM9X35 Datasheet	Atmel lit° 11055	

The datasheets can be found on www.atmel.com at the SAM9G MPU and SAM9X MPU product sections.

Table of Contents

Introduction	1
Contents	2
Related Documents	3
Table of Contents	4
1. Specifications	5
1.1 Kit Specifications	5
1.2 Board Specifications	5
2. Power Up	6
2.1 Power Up the Board	6
2.2 Sample Code and Technical Support	6
2.3 Recovery Procedure	7
3. Hardware Overview	8
3.1 Introduction	8
3.2 Computer Module (CM)	10
3.3 EK Board Description	28
3.4 Optional Display Module (DM) Board Hardware	82
4. Revision History	87

1. Specifications

1.1 Kit Specifications

Unpack and inspect the kit carefully. Contact your local Atmel distributor, should there be issues concerning the contents of the kit.

Figure 1-1. Unpacked Evaluation Kit



1.2 Board Specifications

Table 1-1. Evaluation Kit Specifications

Characteristics	Specifications
Clock speed	400 MHz PCK, 133 MHz MCK
Ports	Ethernet, USB, RS232, DBGU, JTAG, CAN, Audio, SD Card
Board supply voltage	5 VDC from connector
Temperature	
- operating	-10° to +50° C
- storage	-40° to +85° C
Relative humidity	0 to 90% (non condensing)
Dimensions	
EK (Evaluation Kit)	165 mm x 135 mm
CM (Computer Module)	67.6 mm x 35 mm
DM (Display Module)	135 mm x 80 mm
RoHS status	Compliant

2. Power Up

2.1 Power Up the Board

Unpack the board taking care to avoid electrostatic discharge. Unpack the power supply, select the right power plug adapter corresponding to that of your country, and insert it in the power supply.

Connect the power supply DC connector to the board and plug the power supply to an AC power plug.

For SAM9G15, SAM9G35, SAM9X35 kits which contain LCD, the screen should light up and display the welcome page of a graphic demo. Click or touch icons displayed on the screen and enjoy the demo.

For SAM9G25 and SAM9X25 which do not contain LCD, before power up, connect DBGU port J11 on the EK board (refer to [Section 3.3.3.4](#) for details) to RS232 port on your computer through the RS232 cable provided with the kit. It is recommended to open a communication session under HyperTerminal. After power up, a command-line based demo runs that can be monitored on HyperTerminal window.

2.2 Sample Code and Technical Support

After boot up, designers can run sample code or their own application, on the development kit. Users can download sample code and get technical support from the Atmel web site:

http://www.atmel.com/products/at91/default.asp?category_id=163&family_id=605&source=global_nav

Figure 2-1. Atmel Web Site



Note: Different interfaces on the EK boards share the same connections to the CPU module. Therefore the actual usage depends on the CPU module featured in the evaluation kit.

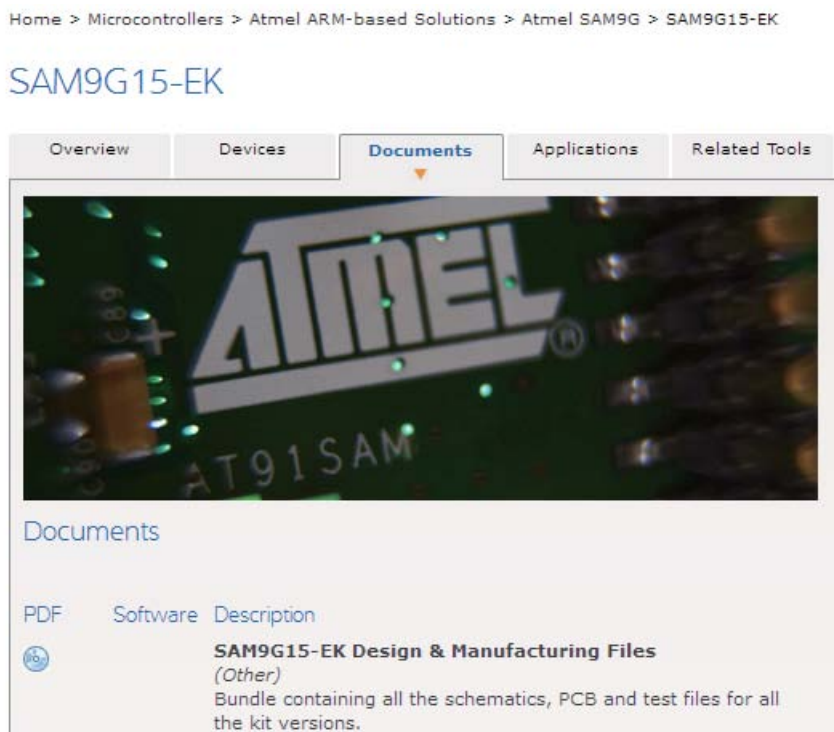
2.3 Recovery Procedure

All EK boards have passed strict test procedures before shipment. These test procedures are contained in the SPI serial Flash in case users need to examine the boards again at any time.

If the contents of the SPI serial Flash have been deleted, follow the instructions below to recover the state as it was when shipped by Atmel.

1. Go to the page on [atmel.com](#) for the EK being used.
2. Locate the EK Design & Manufacturing Files as shown in [Figure 2-2](#).
3. Find the *xxx-EK_test_12_public.zip*, which is the file for Flash content burning.
4. Follow the step-by-step instructions in the file *SAM9X5_EK_Test_Software* to recover the content and to test each section of the boards.

Figure 2-2. EK Design & Manufacturing Files



3. Hardware Overview

3.1 Introduction

The Evaluation Kit is a fully-featured evaluation platform for the Atmel MPU. The Evaluation Kit enables users to extensively evaluate, prototype and create application-specific designs.

The Evaluation Kit is a new platform architecture based on a Main Board (MB), a CPU Module (CM) equipped with one of the five processors and an optional Display Module (DM).

The Evaluation Kit consists of three boards:

1. The CPU Module (CM) board, is a single-board computer that integrates all the core components and is mounted onto an application-specific carrier board (EK board). The CPU Module has specified pinouts based on the SODIMM200 connector. It provides the functional requirements for an embedded application. These functions include, but are not limited to, graphics, audio, mass storage, network and multiple serial and USB ports. A single SODIMM200 connector provides an interface for the carrier board to carry all the I/O signals to and from the CPU Module.
2. The Evaluation Kit board (EK Main Board) provides all the interface connectors required to attach the system to the application specific peripherals. This versatility allows the designer to create a densely packed solution, which results in a more reliable product while simplifying system integration.
3. The optional Display Module (DM) board integrates LCD, TouchScreen and QTouch[®] technology.

[Table 3-1](#) lists the features provided on the Evaluation Kit:

Table 3-1. Evaluation Kit Features

Supported Modules			Product Name				
Expansion Slot	SO-DIMM200						
Processor Options			SAM9G15	SAM9G25	SAM9G35	SAM9X25	SAM9X35
LAN	MII/RMII Ethernet 10/100 w/PHY and three Led status	ETH0	–	X	X	X	X
	RMII Ethernet 10/100 w/PHY and three Led status	ETH1	–	–	–	X	–
USART/UART	RS232 four wires/RS485 Shared interface	COM0	X	X	X	X	X
	RS232 four wires	COM3	–	X	–	X	–
	RS232 two wires	DBGU	X	X	X	X	X
CAN	CAN interface Shared interface	CAN0	–	–	–	X	X
		CAN1	–	–	–	X	X
USB	2 * USB 2.0 Host	–	X	X	X	X	X
	1 * USB 2.0 Host/Device	–	X	X	X	X	X
SMD	Software Modem Device	–	X	X	X	X	X
Memory Card Support	µSD Card Slot Onboard	HSMCI0	X	X	X	X	X
	MMC/MMC+/SD/SDIO/CE-ATA	HSMCI1	X	X	X	X	X
ISI	–	–	–	X	–	–	–
LCD + Touch Screen	24-bit Output Mode	–	X	–	X	–	X
ZigBee®	–	–	X	X	X	X	X
SPI	–	–	X	X	X	X	X
TWI	–	–	X	X	X	X	X
DEBUG	JTAG Test Access Port	–	X	X	X	X	X

3.2 Computer Module (CM)

3.2.1 CM Board Overview

The CM board is the CPU module at the heart of the system. It connects to the EK board through a SO-DIMM200 interface. It carries the processor and external memories. The CM board serves as a minimal CPU sub-system. All five processors: SAM9G15, SAM9G25, SAM9X25, SAM9G35 and SAM9X35 share the same CM circuitry with minor configuration settings.

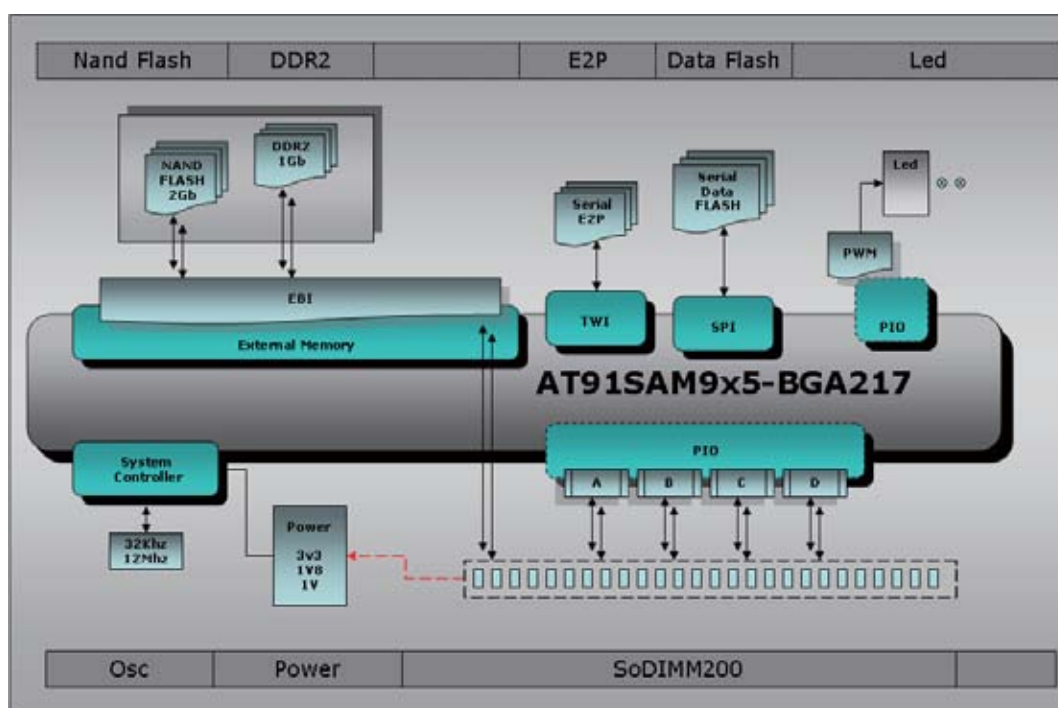
Note: There are three CM boards from three different manufacturers. The five processors are implemented as shown in [Table 3-2](#) below:

Table 3-2. CM Board Implementation

Manufacturer & Module kind	SAM9G15-CM	SAM9G25-CM	SAM9G35-CM	SAM9X25-CM	SAM9X35-CM
mfg 1	x	–	x	–	–
mfg 2	–	–	–	x	x
mfg 3	x	x	x	x	x

The three CM boards share the same circuitry design but with different designator information and PCB layouts. The circuitry reference in this guide, for common design parts, refers to schematics from SAM9G25-CM (mfg 3). All the other schematics are provided in [Section 3.2.6 "Schematics"](#).

Figure 3-1. Board Architecture



3.2.2 Equipment List

The CM board is built around the integration of an ARM926-based microcontroller (BGA217 package) with external memory and optional Ethernet Physical Layer Transceiver.

3.2.2.1 Devices

Following is the list of the CM board components:

- One SAM9 Embedded MPU from the list below
 - SAM9G15
 - SAM9G25
 - SAM9G35
 - SAM9X25
 - SAM9X35
- 12 MHz crystal
- 32.768 KHz crystal
- 1 Gbit DDR2 memory
- 2 Gits NAND Flash memory with Chip Selection control switch
- 32 Mbits SPI Serial Flash with Chip Selection control switch
- 512 Kbits EEPROM
- 1 Kbyte 1-Wire EEPROM
- On-board power regulation
- Two user LEDs
- Optional PHY

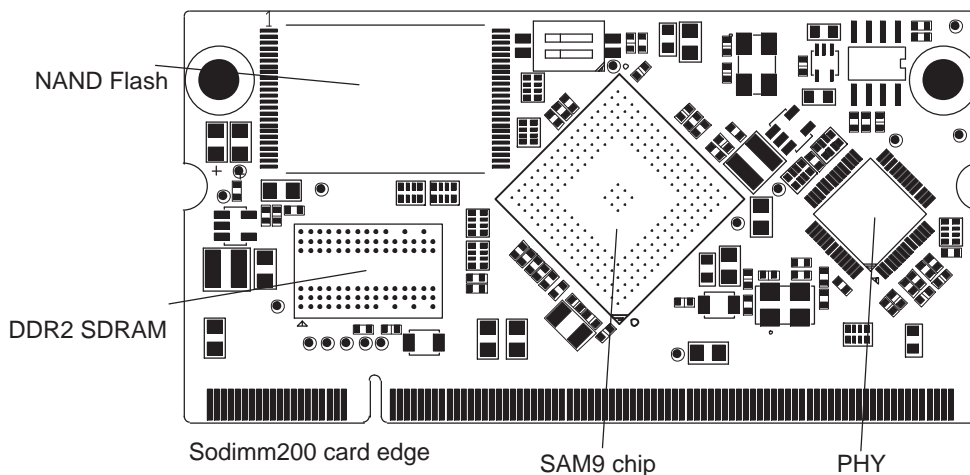
3.2.2.2 Interface Connection

- SODIMM200 card edge interface

3.2.2.3 Configuration Items

- Dual ON/OFF switch for NAND Flash and SPI serial Flash Chip Select connection

Figure 3-2. CM Board Layout Commented



3.2.3 Function Blocks

3.2.3.1 Processor

The CM Board is equipped with an Atmel ARM-based embedded MPU, as listed below, in a 217-ball BGA package. The five devices share an identical footprint. All five share the same CM Board PCB with minor configuration differences.

The five devices are:

- SAM9G15
- SAM9G25
- SAM9G35
- SAM9X25
- SAM9X35

As different interfaces can be defined using the same pins, it depends on the actual configuration of the CPU as to which functions are in fact available to the EK board.

Refer to [Section 3.2.4.1 "Chip Identification"](#) for details. The processor runs at a nominal frequency of 400 MHz for the core and 133 MHz for the system bus.

The peripheral configuration possibilities and implementation requirements of the CM are dependent on the module's chipset. Two configuration resistors are implemented on board in order to select the mode of configuration.

3.2.3.2 Clock Circuitry

The CM includes 3 clock sources:

- Two are alternatives for the processor main clock
- One crystal and one crystal oscillator are used for the Ethernet MII/RMII chip

Table 3-3. Main Components Associated with the Clock Systems

Quantity	Description	Component assignment
1	Crystal for Internal Clock, 12 MHz	Y1
1	Crystal for RTC Clock, 32.768 kHz	Y2
1	Oscillator for Ethernet Clock RMII, 50 MHz	Y3

3.2.3.3 Reset Circuitry

The reset sources for the CM board are:

- Power on reset
- Push button reset (Push button is equipped on EK board)
- JTAG reset from an in-circuit emulator (JTAG interface is equipped on EK board)

3.2.3.4 Power Supplies

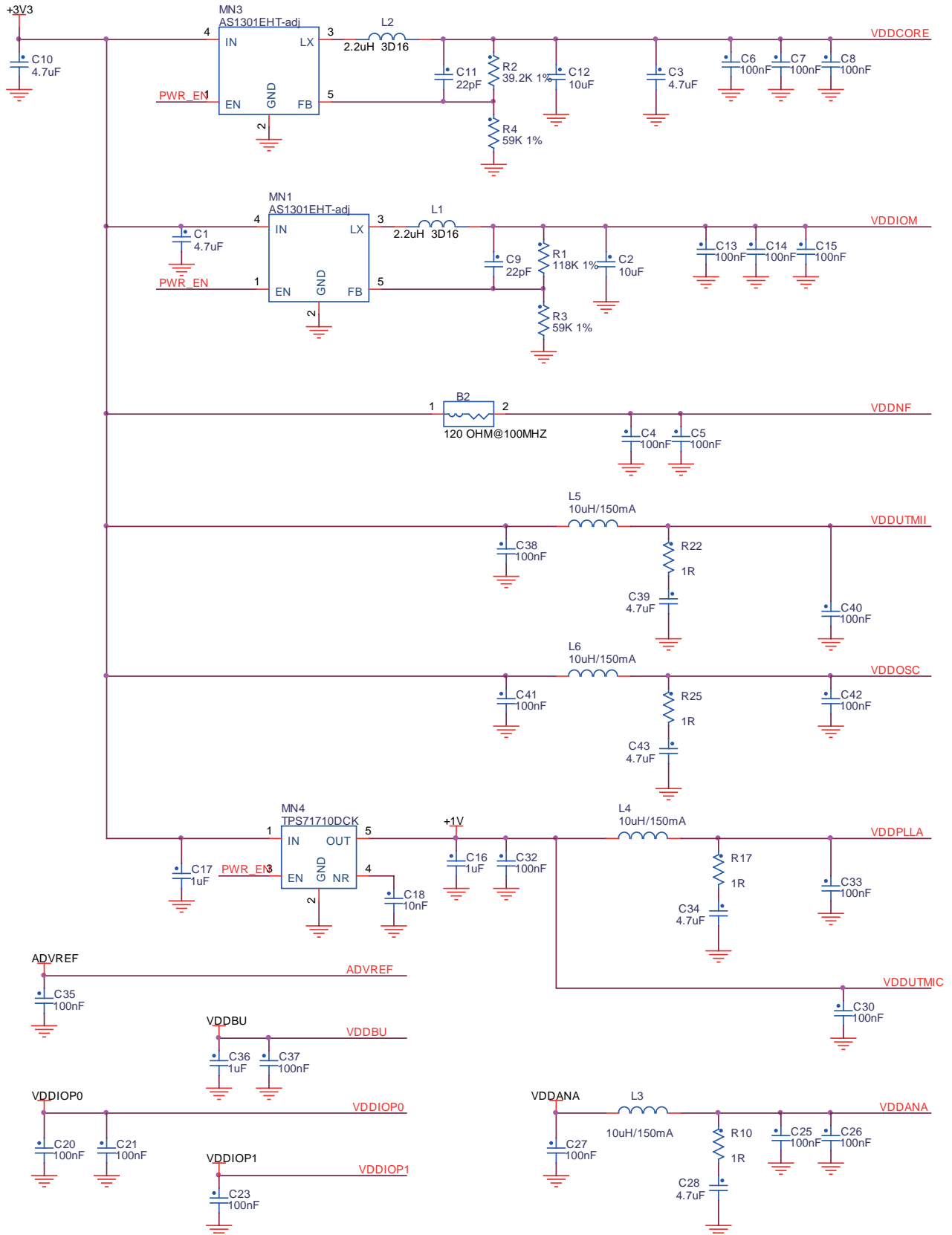
The CM Board is driven by +3V3 input power rail from the EK board through the SODIMM200 connector. The CM Board embeds all the necessary power rails required for the micro processor.

When additional voltages are required, for example VDDCORE, they are generated on board from the 3.3V supply. The detailed power supply requirements for any given module are specified within the corresponding product documentation. The following table summarizes the power specifications.

Table 3-4. Power Rails Associated with the Systems

Nominal	Name	Powers	Component
3.3v	VDDNF	the NAND Flash I/O and control, D16-D32 and multiplexed SMC lines	From SODIMM200 connector
3.3v	VDDIOP0	Partial Peripheral I/O lines	From SODIMM200 connector
3.3v	VDDIOP1	Partial Peripheral I/O lines	From SODIMM200 connector
3.0v	VDDBU	the Slow Clock oscillator, the internal 32 kHz RC, the internal 12 MHz RC and a part of the System Controller	From SODIMM200 connector
3.3v	VDDUTMII	the USB device and host UTMI+ interface	From SODIMM200 connector
3.3v	VDDOSC	the Main Oscillator cells	From SODIMM200 connector
3.3v	VDDANA	the Analog to Digital Converter	From SODIMM200 connector
1.8v	VDDIOM	the External Memory Interface I/O lines	on-board
1.0v	VDDUTMIC	DC Supply UDPHS and UPHPS UTMI+ Core	on-board
3.3v	VDDPLLUTMI	DC Supply UDPHS and UPHPS UTMI+ Interface	From SODIMM200 connector
1.0v	VDDPLLA	the PLLA cell	on-board
1.0v	VDDCORE	the core, including the processor, the embedded memories and the peripherals	on-board
3.0V or 3.3V configurable	ADVREF	ADC Reference voltage	From SODIMM200 connector

Figure 3-3. CM Power Supply



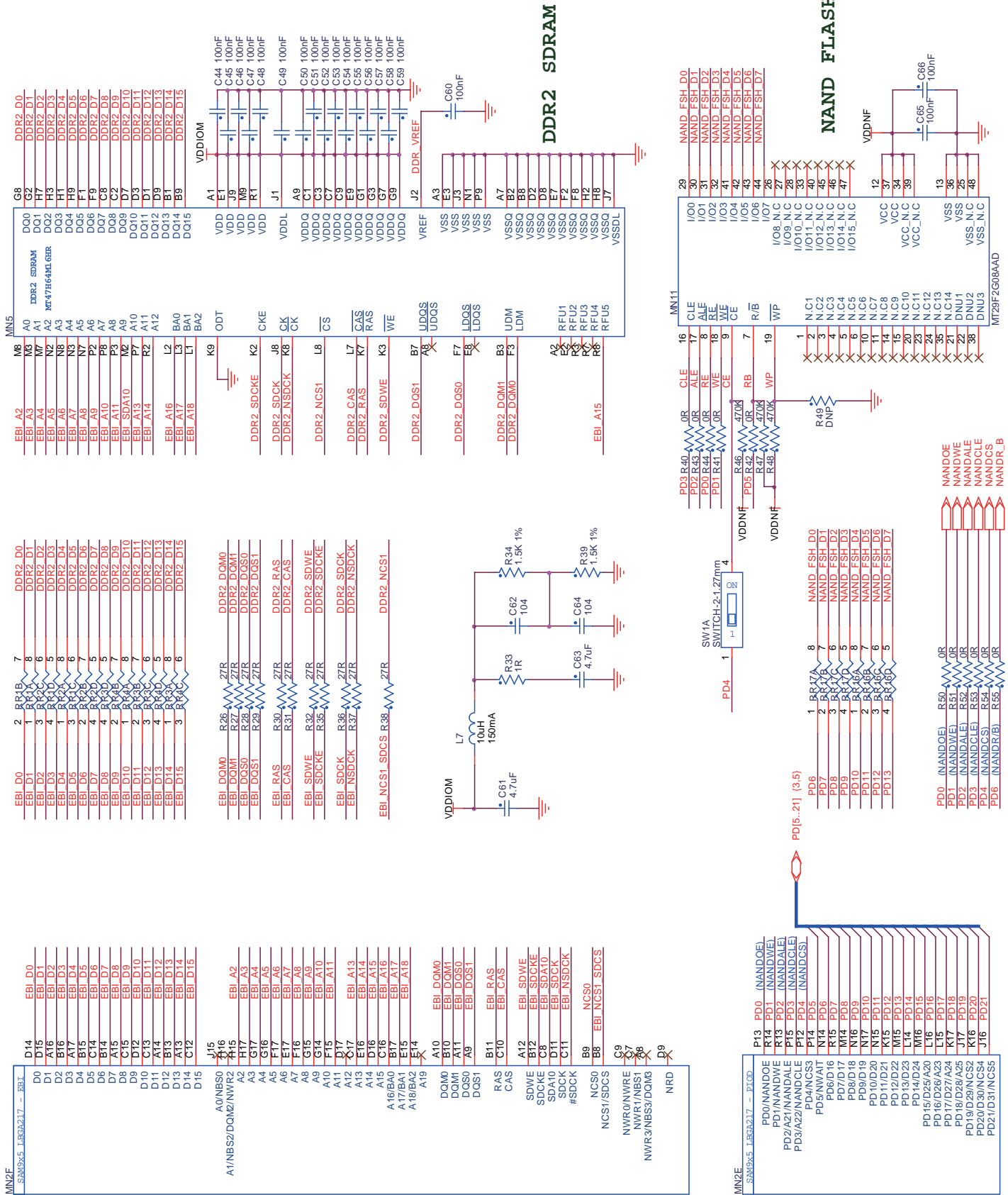
3.2.3.5 Memory

The Device serial processor features a DDR/SDR memory interface and an External Bus Interface (EBI) to enable interfacing to a wide range of external memories and to almost any kind of parallel peripheral.

The External Bus Interface (EBI) is connected to two kinds of memory devices:

- One 1 Gbyte DDR2 SDRAM
- One 2 Gbytes (or 4 Gbytes depending on supplier) NAND Flash

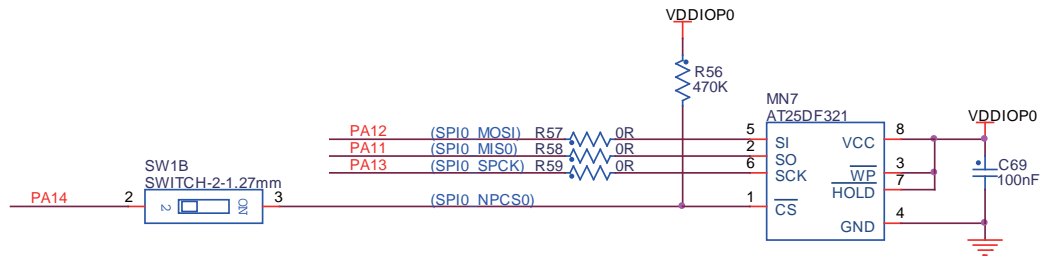
Figure 3-4. CM Board External Memory



3.2.3.6 Serial Peripheral Interface (SPI) Controller

The serial processor provides two high-speed Serial Peripheral Interface (SPI) controllers. One port is used to interface with the on-board serial Flash.

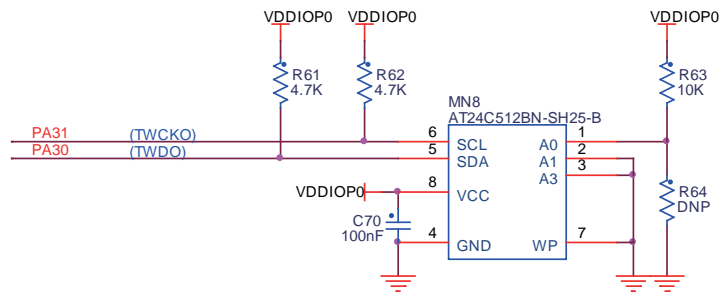
Figure 3-5. SPI



3.2.3.7 Two Wire Interface (TWI)

The serial processor has a full speed (400 kHz) master/slave TWI Serial Controller. The controller is mostly compatible with industry standard I2C and SMBus Interfaces. This port is used to interface with the on-board Serial EEPROM, ISI, QTouch device and audio codec interface.

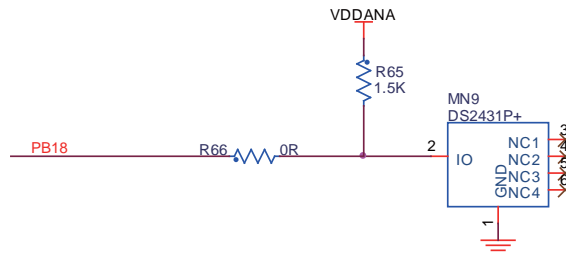
Figure 3-6. TWI



3.2.3.8 1-Wire EEPROM

The Evaluation Kit uses a 1-Wire device as “firmware label” to store the information such as chip type, manufacturer’s name, production date etc.

Figure 3-7. 1-Wire Device

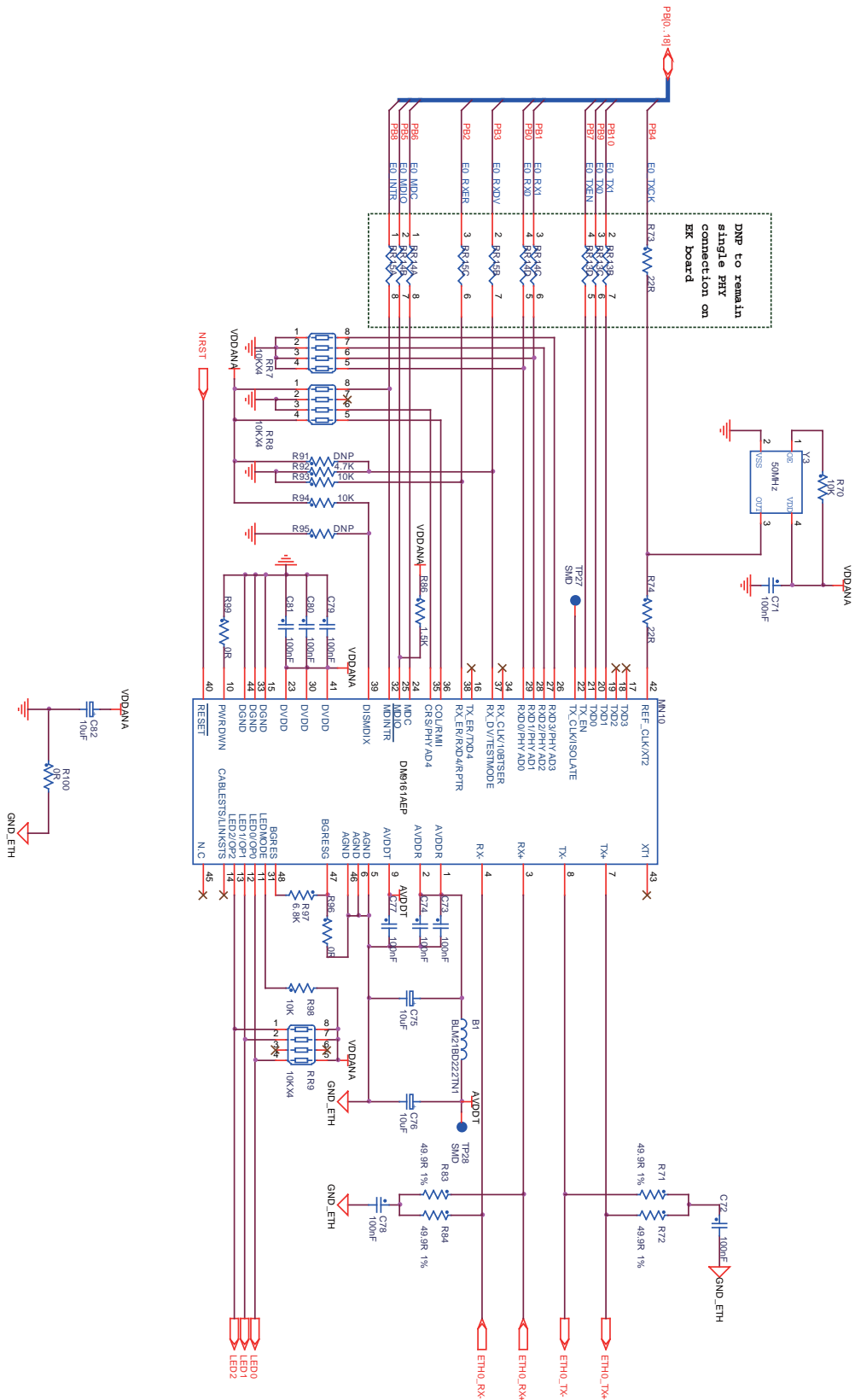


3.2.3.9 Optional PHY

Some of the device modules provide a location for a 10/100 Ethernet MAC/PHY interface.

For more information about the Ethernet controller device, refer to the Davicom DM9161 controller manufacturer's datasheet.

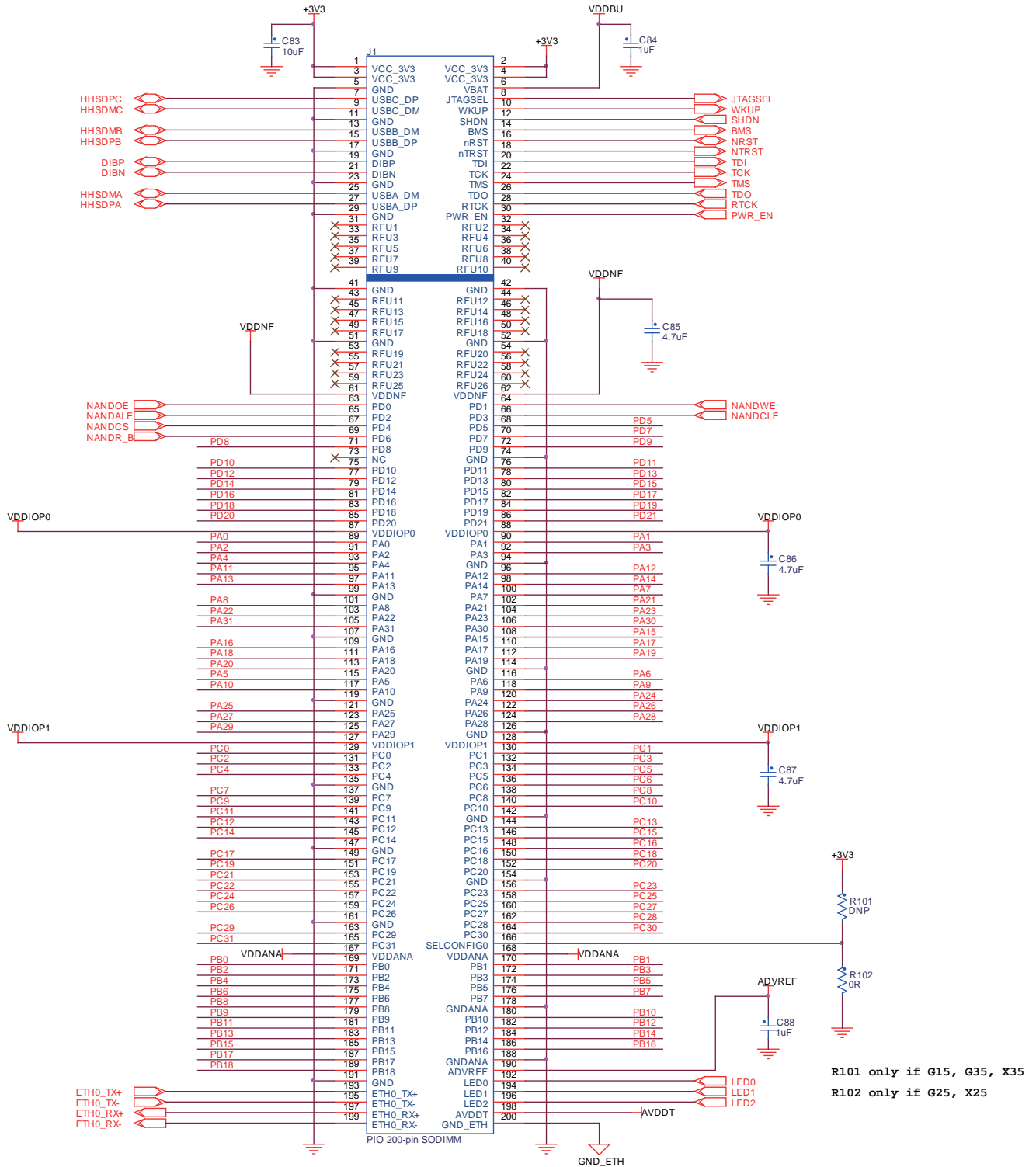
Figure 3-8. Ethernet



3.2.3.10 SODIMM200 Interface

The CM board uses SODIMM200 card edge connector to interface with the EK board.

Figure 3-9. SODIMM200 Interface on CM Board



3.2.4 Configuration

3.2.4.1 Chip Identification

The CM board may be equipped with any of the five processors, all sharing an identical BGA217 footprint. There are two resistors on the CM board for the purpose of identifying which of the five is the one actually mounted.

The tables below show in detail how the CM board, relative to different processors, determines the dedicated “SELCONFIG” logic.

Table 3-5. Resistor Identification

Resistor	SAM9G15	SAM9G25	SAM9G35	SAM9X25	SAM9X35
R49	–	–	–	Populated	Not Populated
R50	–	–	–	Not Populated	Populated
R87	Populated	–	Populated	–	–
R88	Not Populated	–	Not Populated	–	–
R101	Populated	Not Populated	Populated	Not Populated	Populated
R102	Not Populated	Populated	Not Populated	Populated	Not Populated

Table 3-6. Module Configuration Identification

		SAM9G15 module	SAM9G35 module	SAM9X35 module	SAM9G25 module	SAM9X25 module
CM Setting	R101	Populated	Populated	Populated	Not Populated	Not Populated
	R102	Not Populated	Not Populated	Not Populated	Populated	Populated
	SELCONFIG (SODIMM200 pin 166)	High	High	High	Low	Low
EK Setting	USART3	Not Selected	Not Selected	Not Selected	Selected	Selected
	ETH1	Not Selected	Not Selected	Not Selected	Not Selected	Selected
DM Setting	LCD	Selected	Selected	Selected	Not Selected	Not Selected

3.2.4.2 Boot Configuration

In order to use the SAM-BA boot, users must ensure that JP9 (BMS configuration) on the board is open, so that the embedded ROM code runs and searches for a bootable device. For more details, refer to the product datasheet. To make the processor boot from SAM-BA, the external memory devices cannot be bootable.

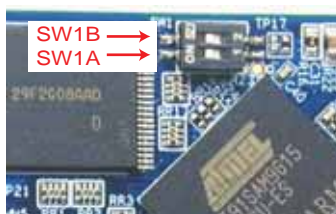
All three CM boards from different vendors feature a de-select function of the Chip Select signal on NAND and SPI serial Flash.

To boot from software, users may erase the bootable content within NAND and SPI serial Flash to launch a SAM-BA boot. A hardware disconnection of the Chip Select signal is not necessary.

Table 3-7. Boot Configuration

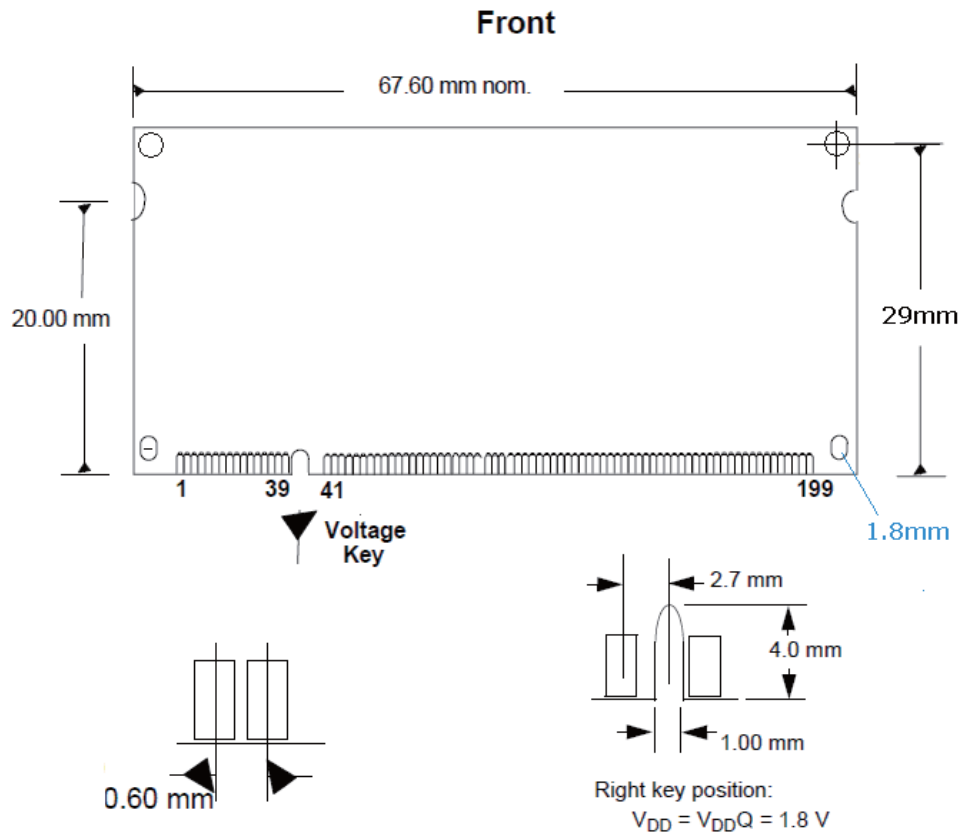
Board Vendor	Designation	Default Setting	Feature
Embest CM	SW1A (1,4)	ON	<ol style="list-style-type: none"> 1. Default ON to select NAND Flash 2. Set to OFF to deselect the NAND Flash
	SW1B (2,3)	ON	<ol style="list-style-type: none"> 1. Default ON to select SPI serial Flash 2. Set to OFF to deselect the SPI serial Flash
Ronetix CM	J1 R17	J1 DNP R17 populated	<ol style="list-style-type: none"> 1. Default select NAND Flash always 2. Users need to dismount R17, mount J1 as 2.54mm jumper to ease frequent changes 3. Close J1 to select NAND Flash Open J1 to deselect NAND Flash
	J2 R24	J2 DNP R24 populated	<ol style="list-style-type: none"> 1. Default select SPI serial Flash always 2. Users need to dismount R24, mount J2 as 2.54mm jumper to ease frequent changes 3. Close J2 to select SPI serial Flash Open J2 to deselect SPI serial Flash
Cogent CM	P2 R90	P2 normal close R90 DNP	<ol style="list-style-type: none"> 1. By default, P2 is closed to select NAND Flash 2. Open P2 to deselect NAND Flash 3. Mounting R90 as 0-ohm always selects NAND Flash
	R15	R15 populated	<ol style="list-style-type: none"> 1. Default select SPI serial Flash always 2. Dismount R15 to deselect SPI serial Flash

Figure 3-10. SW1A and SW1B Position on Embest Modules



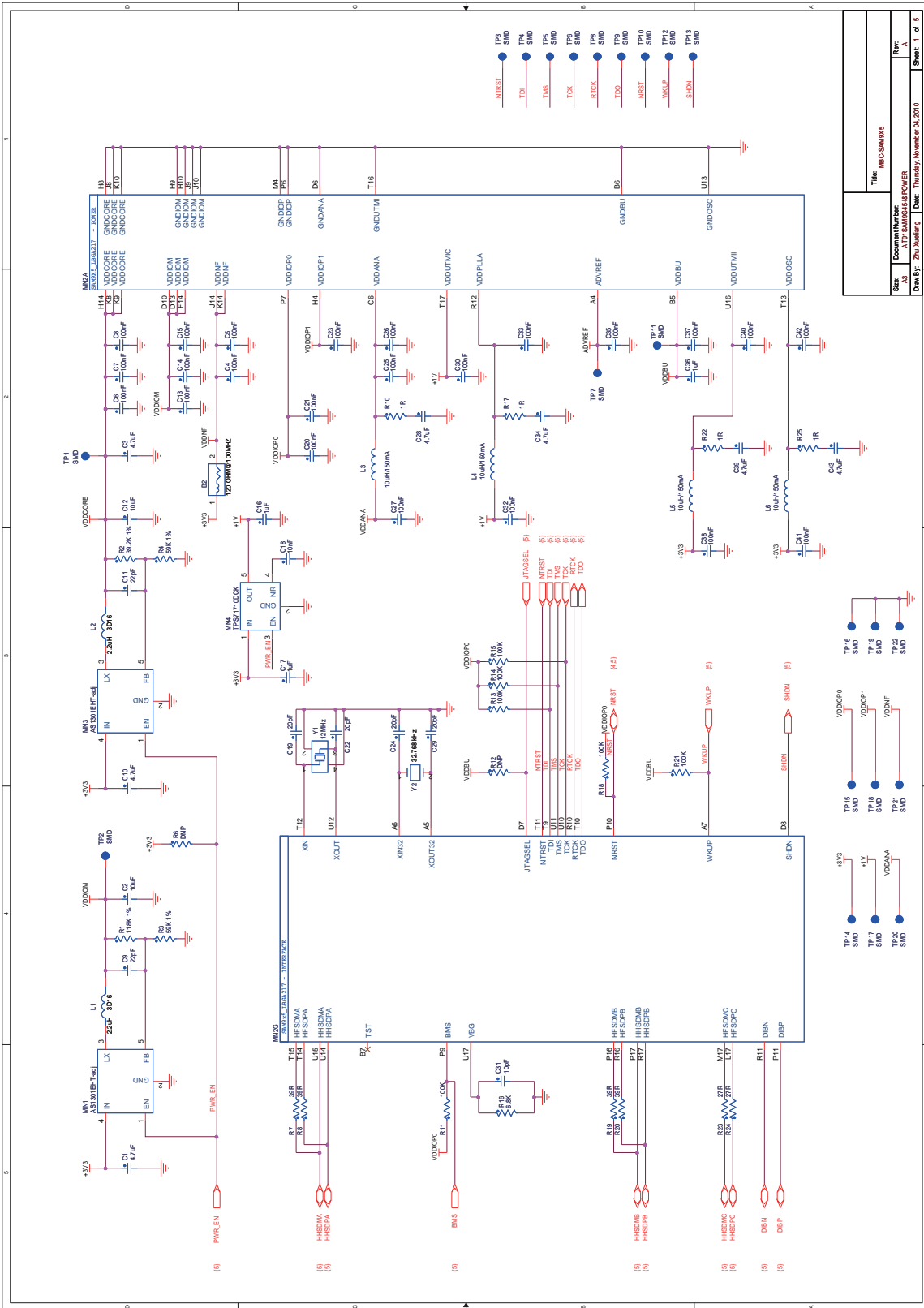
3.2.5 Connectors

Figure 3-11. CM Board Dimensions



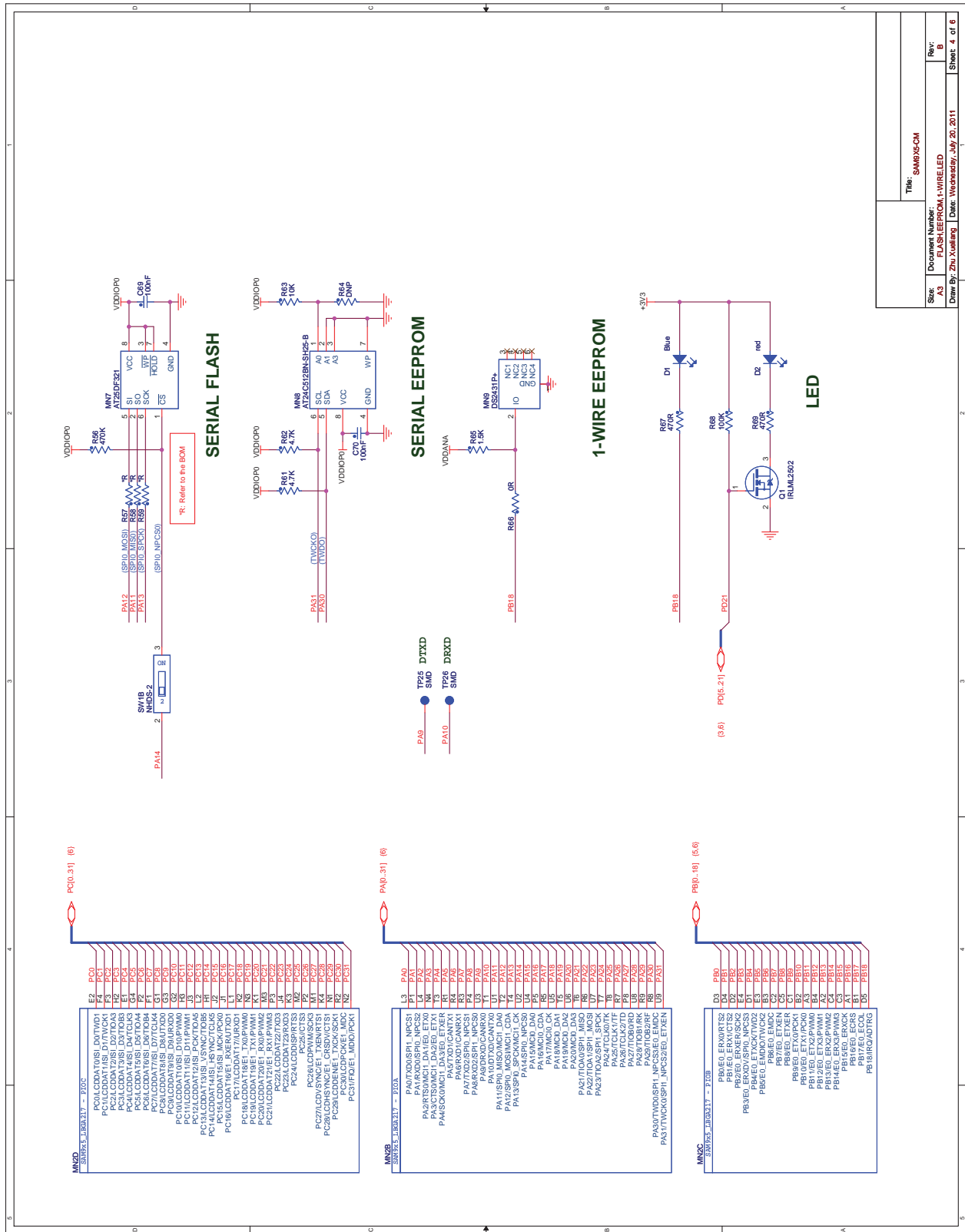
3.2.6 Schematics

Figure 3-12. CM Board Schematics – 1 of 5



Doc No:	AT115B-CM-POWER
Doc Name:	CM Board Schematics
Doc Rev:	1.0
Doc Date:	2010-06-24
Doc Author:	...
Doc Checker:	...
Doc Approver:	...

Figure 3-14. CM Board Schematics – 3 of 5



Title: SAM935-CM	
Size: A3	Document Number: FLASH EEPROM 1-WIRE LED
Rev: B	Date: Wednesday, July 20, 2011
Sheet 4 of 6	

Figure 3-15. CM Board Schematics – 4 of 5

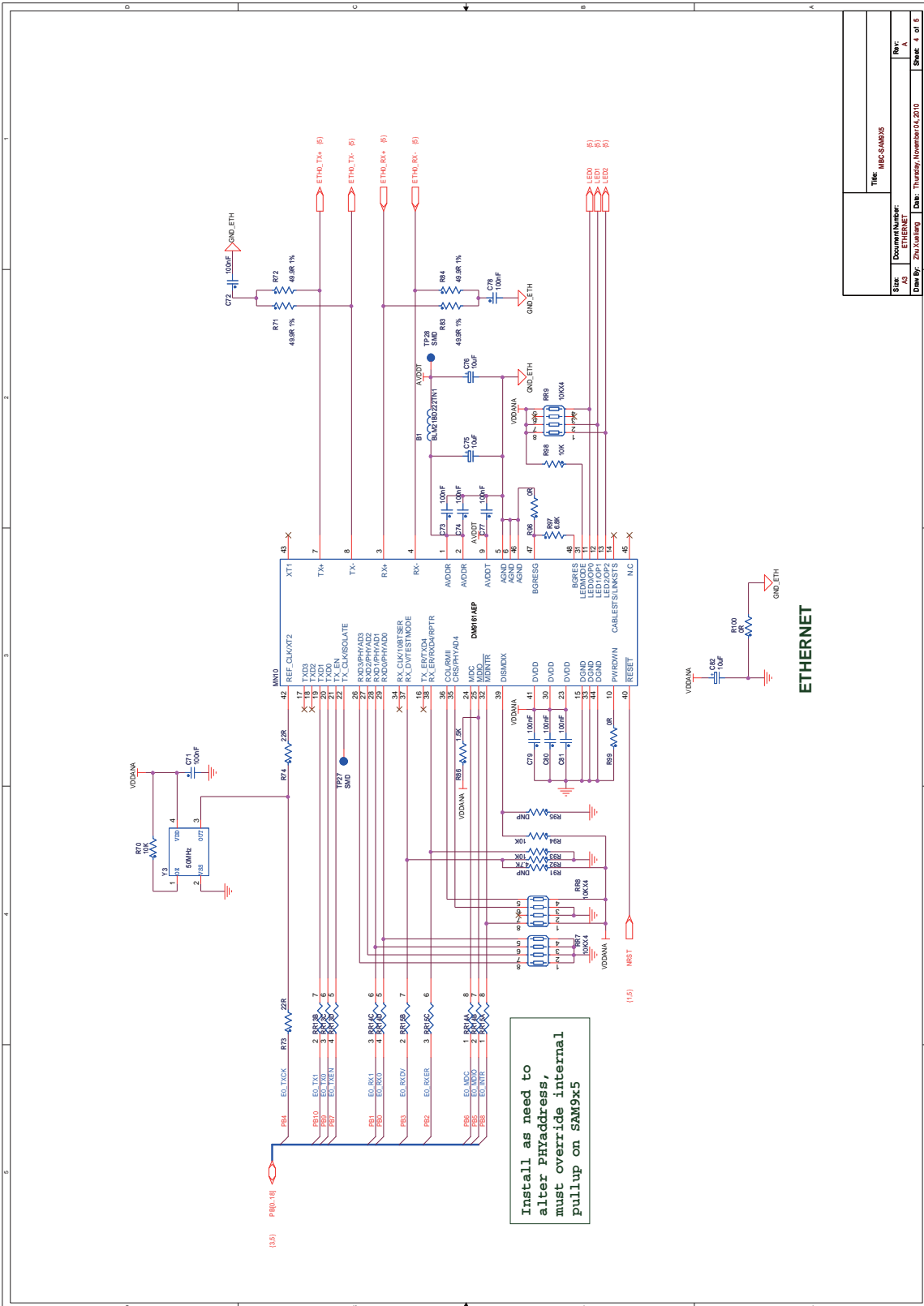
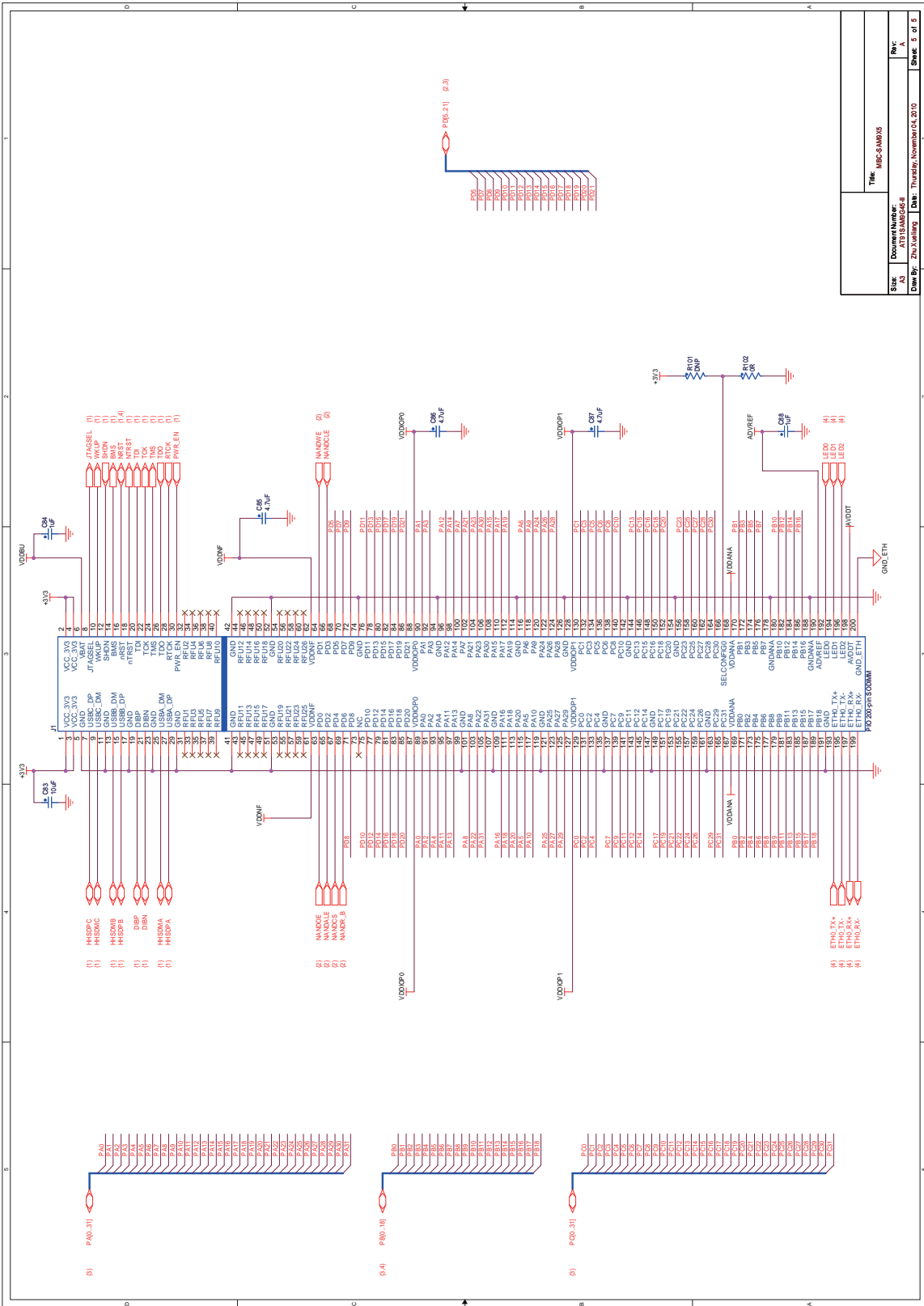


Figure 3-16. CM Board Schematics – 5 of 5

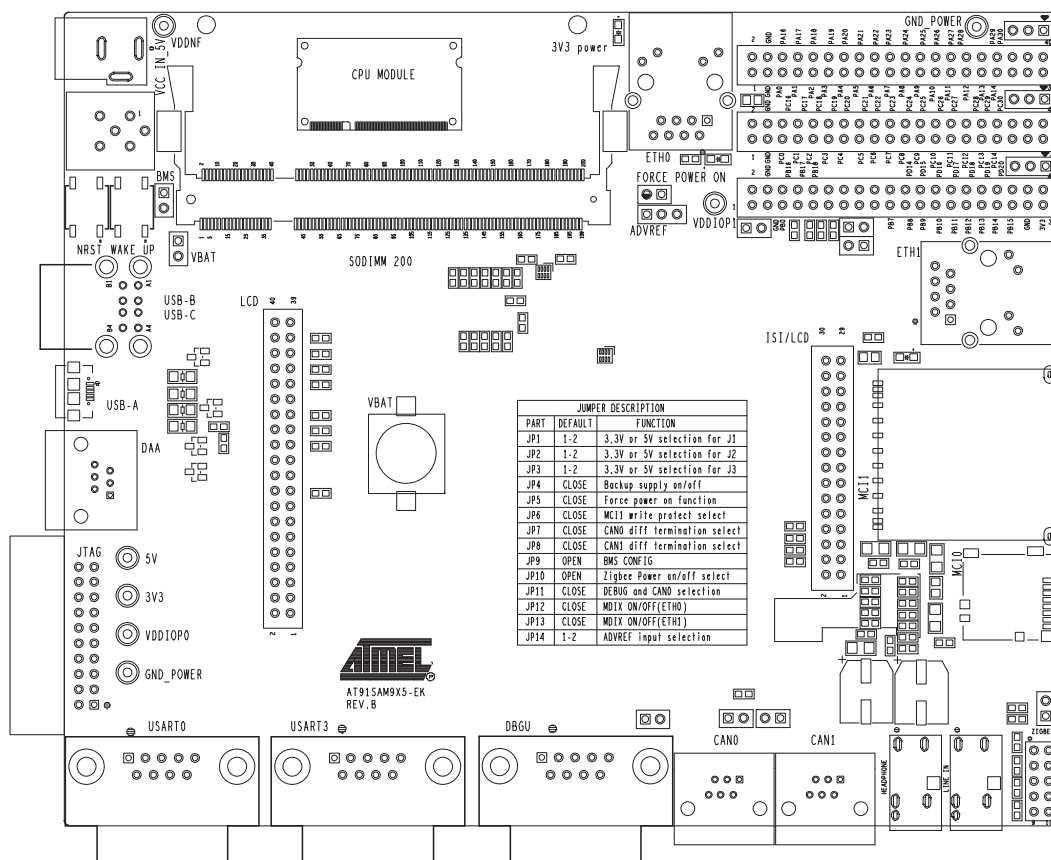


3.3 EK Board Description

3.3.1 EK Board Overview

The EK board serves as the main board that carries the CPU module. It features all necessary peripherals and interfaces for processor evaluation.

Figure 3-17. Commented EK Board Layout



3.3.2 Equipment List

Based on the processor installed on the CM board, the EK board is equipped with the following interfaces or peripherals:

3.3.2.1 Devices

List of the EK board peripherals:

- Two EMAC PHY
- One Audio codec
- Two high speed MCI Card interfaces
- Two CAN transceivers
- Three RS232 ports with level translator features: DBGU, USART0 and USART3
- One Smart DAA port
- Two USB host ports
- One USB host/device port
- On-board power regulation

- LCD/ISI extension interface
- ZigBee interface
- One-wire device

3.3.2.2 Board Interface Connection

- Main power supply (J4)
- One SODIMM200 socket (CON1)
- USB A Host/Device, support USB host/device using a type micro AB connector (J20)
- USB B Host, support USB host using a type A connector (J19, upper)
- USB C Host, support USB host using a type A connector (J19, lower)
- DBGU (RX and TX only) connected to a 9-way male RS232 connector (J11)
- USART1 (RX, TX, RTS, CTS) connected to a 9-way male RS232 connector (J8)
- USART3 (RX, TX, RTS, CTS) connected to a 9-way male RS232 connector (J12)
- JTAG, 20 pin IDC connector (J9)
- MicroSD connector (J6)
- SD/MMC connector (J7)
- Headphone (J15), line-in (J13)
- Image sensor connector (J21)
- DM board connection for QTouch and TFT LCD display with Touch Screen and backlight (J21, J22)
- DAA connector RJ11 6P4C type (J16)
- CAN bus connectors RJ12 6P6C type (CON2, CON3)
- ZigBee connector (J10)
- Three IO expansion ports (J1, J2, J3)
- Test points, various test points are located throughout the board

3.3.2.3 Push Button Switches

- Reset, board reset (BP1)
- Wake up, push button to bring the processor out of low power mode (BP2)

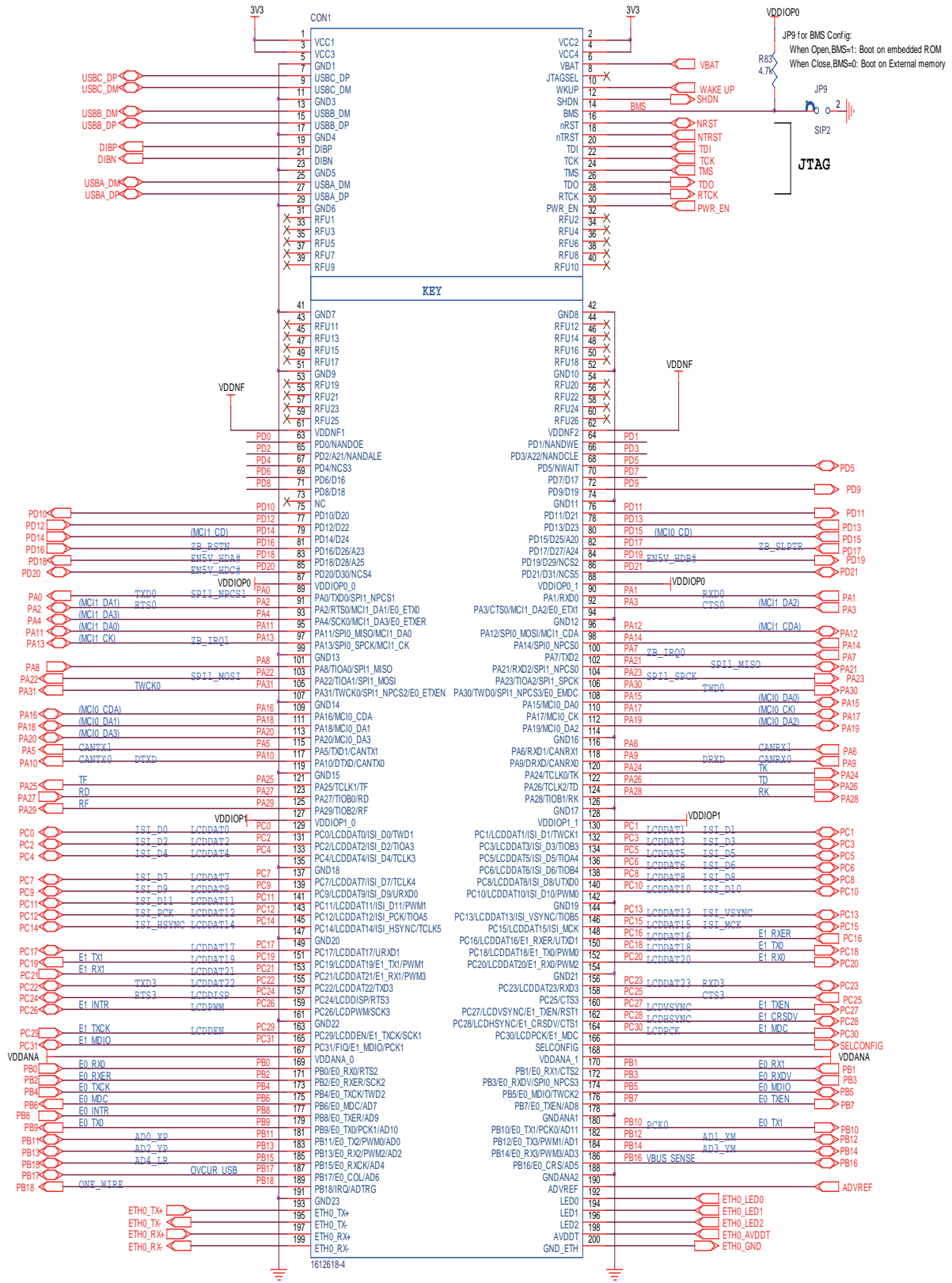
3.3.3 Function Blocks

3.3.3.1 Processor

The Evaluation Kit board may be used with any of the Core Modules:

- SAM9G15
- SAM9G25
- SAM9G35
- SAM9X25
- SAM9X35

Figure 3-18. SODIMM Interface on EK Board



3.3.3.2 Power Supplies

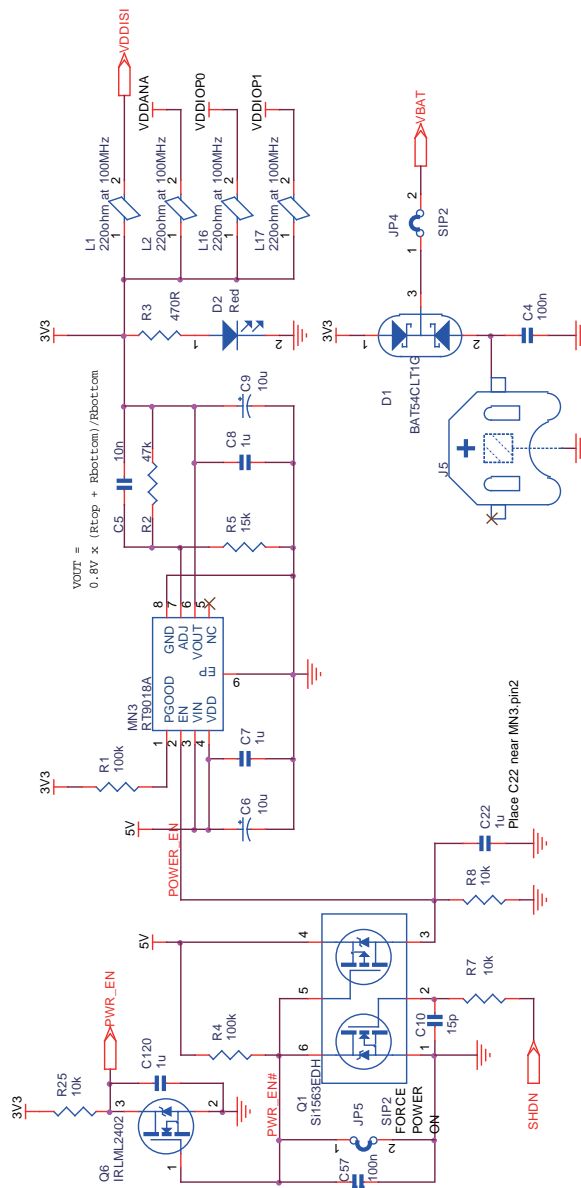
The EK Board features one adjustable LDO. It accepts DC 5V power input and outputs a regulated +3.3V to most other circuits on the board through four 3.3V rails.

- VDDPIO0
- VDDPIO1
- VDDANA
- VDDISI

This LDO is enabled through a dual FET scheme. The processor can assert SHDN (which is a VDDBU- powered I/O) to shut down the LDO to enter the so-called backup mode. The regulator on CM board is also shut down by the action of the SHDN signal.

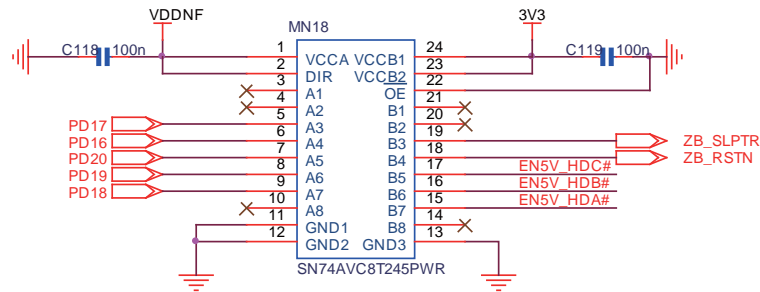
If the 3V battery is mounted on J5, both CM and EK boards can be woken up by action on the BP2 button, which drives the WKUP signal (also a VDDBU-powered I/O).

Figure 3-19. EK Board Power Management



There is another 3.3V rail, VDDNF, supplied from the CM board. VDDNF is set to 3.3V in the current CM design. The processors also support a 1.8V NAND Flash device, in which case VDDNF is set to 1.8V. In order to avoid potential voltage conflict on user-defined applications, a level shifter is inserted between the PIO lines on VDDNF rail and the 3.3V application.

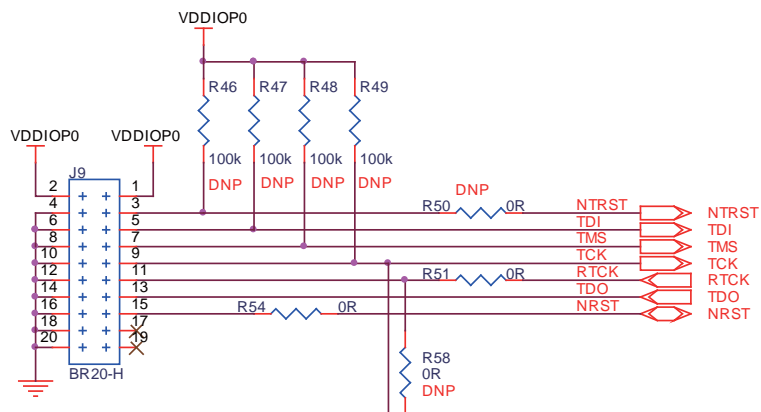
Figure 3-20. Level Shifter For VDDNF Rail



3.3.3.3 JTAG/ICE

Software debug is accessed by a standard 20-pin JTAG connection. This allows connection to a standard USB-to-JTAG in-circuit emulator such as SAM-ICE™.

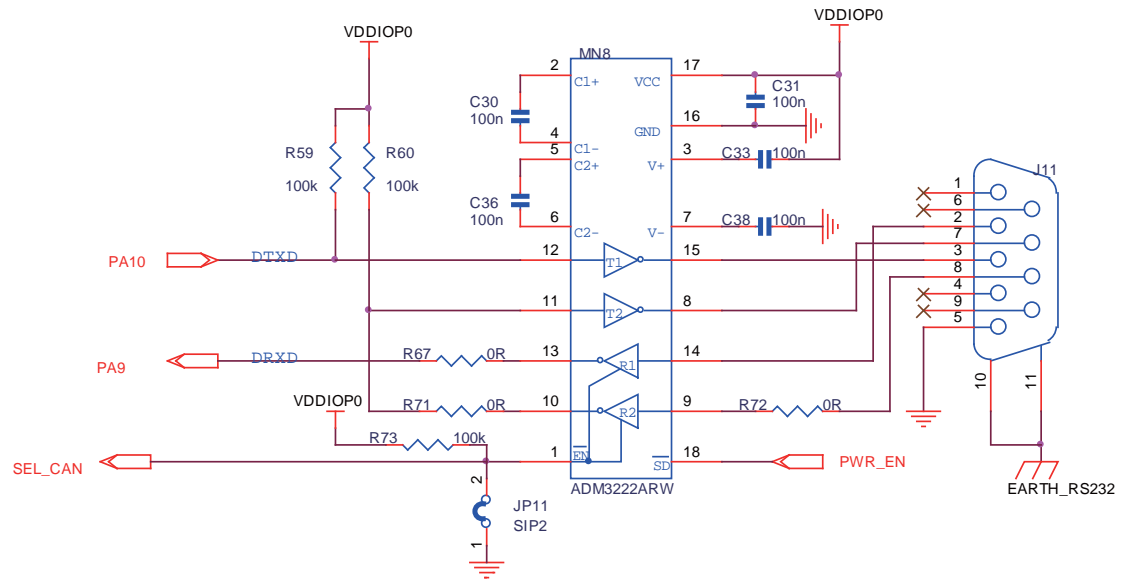
Figure 3-21. JTAG Interface



3.3.3.4 DBGU

The UART is connected to the DB-9 male socket through an RS-232 Transceiver (TXD and RXD only). A jumper, JP11, is used to select DBGU or CAN0 between IO (PA9, PA10) sharing scheme. Close JP11 to select DBGU.

Figure 3-22. DBGU Com Port

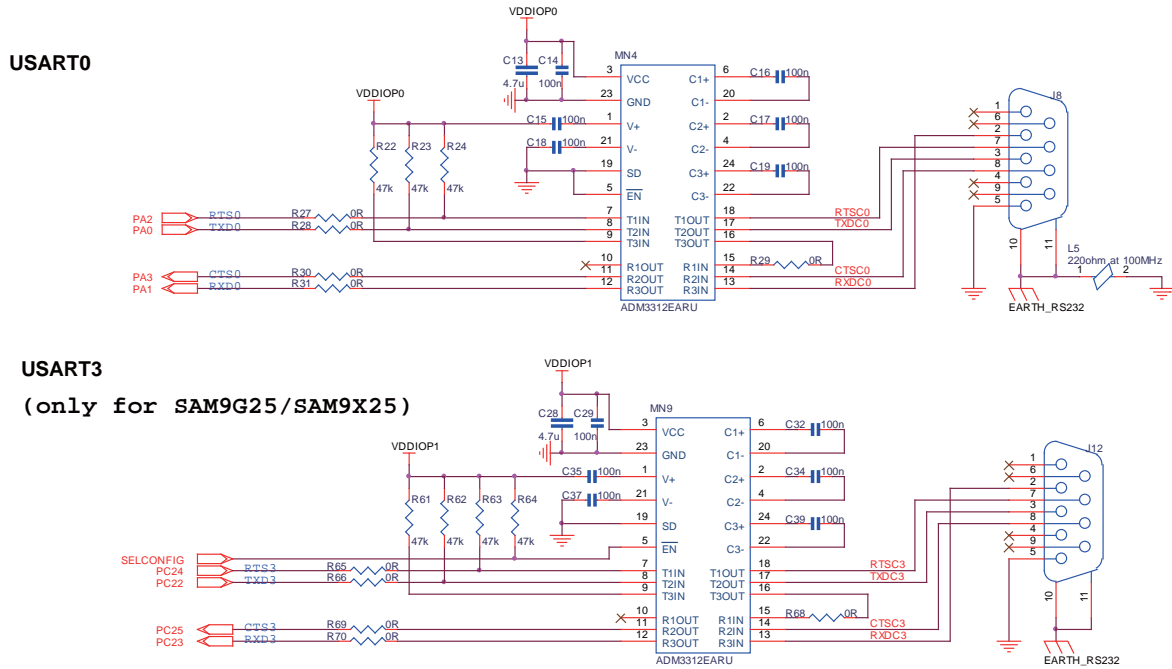


3.3.3.5 USART

The USART0 and USART3 are used as serial communication ports. Both USARTs are buffered with an RS-232 Transceiver (TXD, RXD and handshake CTS/RTS control) and connected to the DB-9 male socket. The software must assign the appropriate PIO pins to enable the USART function.

The USART3 is only supported by SAM9G25 and SAM9X25 processors. The RS-232 Transceiver for USART3 is enabled by the signal SELCONFIG comprised of a pull down resistor on CM board. Ref to [Section 3.4.1 "DM Board Overview"](#) for details.

Figure 3-23. USART Com Port



3.3.3.6 USB Ports

The Evaluation Kit features three USB communication ports:

- Port A Host High Speed (EHCI) and Full Speed (OHCI) multiplexed with USB Device High speed Micro AB connector, J20
- Port B Host High Speed (EHCI) and Full Speed (OHCI) standard type A connector, J19 upper port
- Port C Host Full speed OHCI only standard type A connector, J19 lower port

All three USB Host ports are equipped with 500 mA high-side power switch for self-powered and bus-powered applications. The USB device port features VBUS insert detection function through the resistor ladder R138 and R139.

Refer to the embedded MPU product datasheet for detailed programming information. For datasheet reference numbers and titles, see [“Related Documents”](#) .

Figure 3-24. USB Port (A)

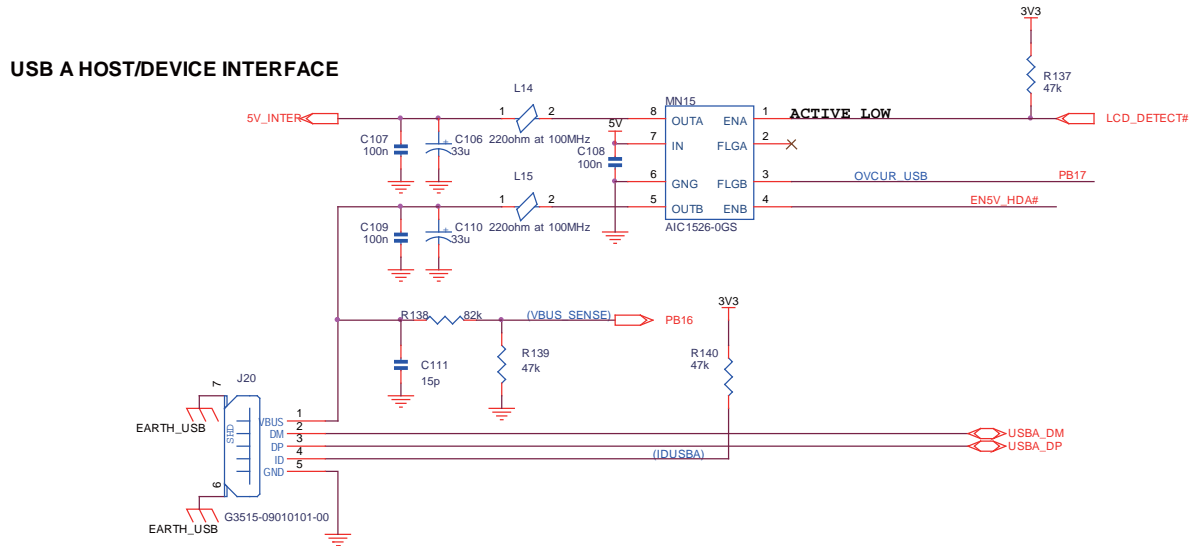
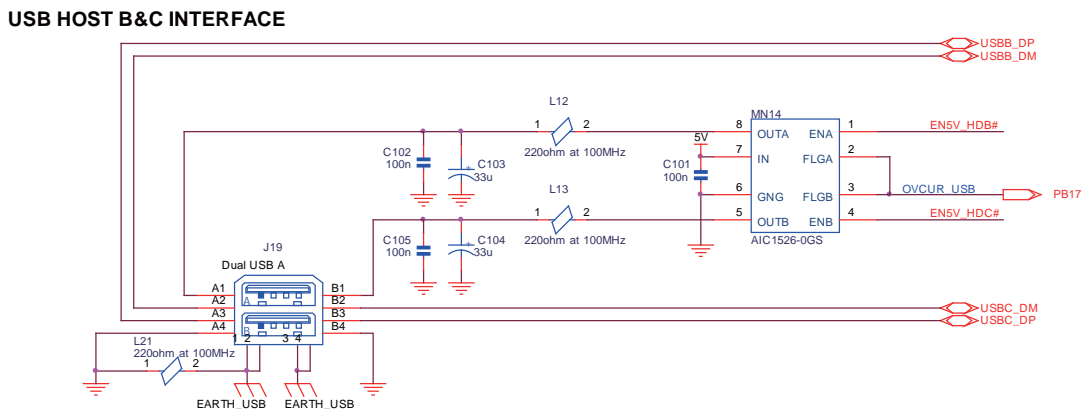


Figure 3-25. USB Port (B & C)



3.3.3.7 Ethernet 10/100 (EMAC) Port

Except for SAM9G15, the processor has two 10/100 Mbps Ethernet Mac Controllers.

	SAM9G15	SAM9G35	SAM9X35	SAM9G25	SAM9X25
EMAC	–	RMII	RMII	MII	MII + RMII

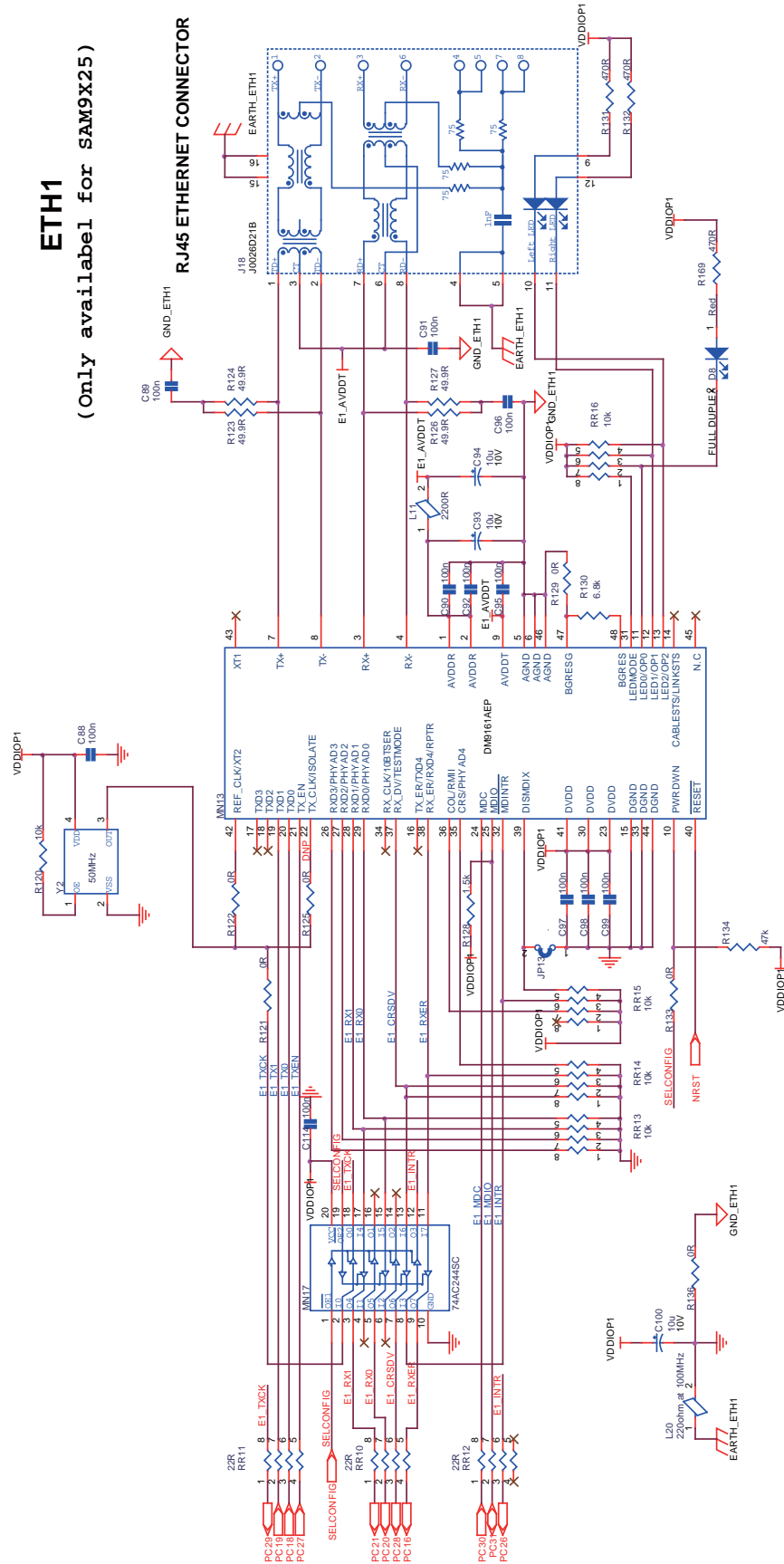
The EK board is equipped with two Davicom DM9161AEP PHYs for each Ethernet port. Both PHY Transceivers are configured as RMII mode. Both PHY transceivers have an RJ45 port with embedded transformer and three-status LEDs.

By default, the ETH0 interface is implemented on the EK board. Additionally, for monitoring and control purposes, an LED functionality is carried on the RJ45 connectors to indicate activity, link, and speed status information for the respective ports.

Ethernet 1 is only available for SAM9X25. The PHY on Ethernet 1 is enabled by the SELCONFIG signal from a pull-down resistor on the CM board. Refer to [Section 3.4.1 "DM Board Overview"](#) for detail.

Some pins (PC16, PC20, PC21, PC28, PC26 and PC29) are configured as Ethernet 1 input from PHY for SAM9X25, whereas they are configured as LCD data pins on other processors. An IO buffer MN17 is inserted in series with these signals to prevent the LCD from being disturbed by unknown status of the PHY device.

Figure 3-27. ETH1 Port

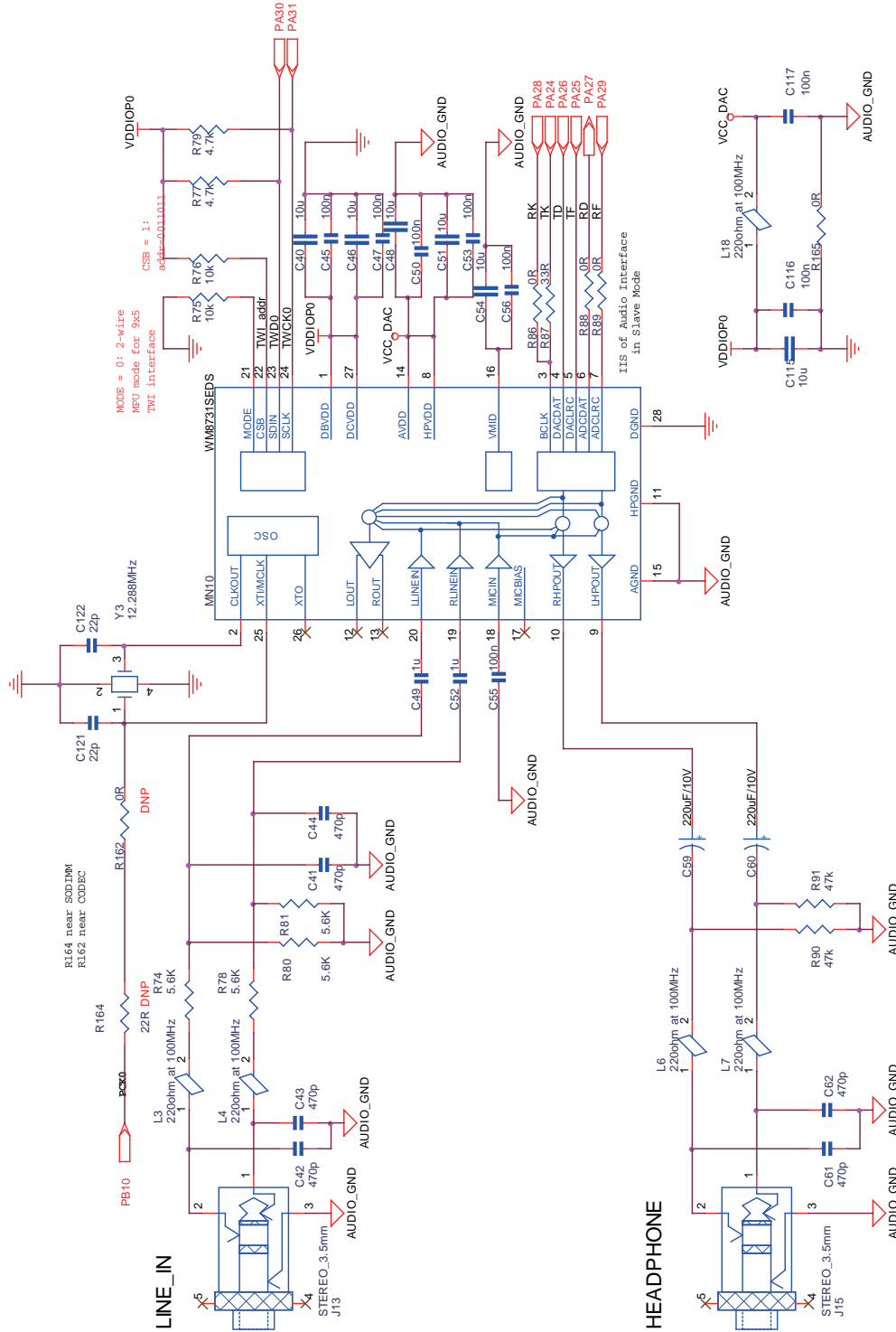


3.3.3.8 Audio

The Evaluation Kit includes a WM8731 CODEC for digital sound input and output. This interface includes audio jacks for line audio input (J13) and headphone line output (J15).

The SAM9 processor is configured in IIS slave mode to interface with the WM8731 Codec. The IIS master mode is also possible for evaluation by populating R162/R164 and removing the crystal Y3.

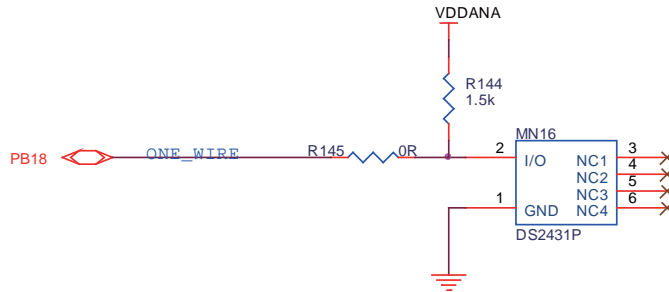
Figure 3-28. Audio Interface



3.3.3.9 1-Wire EEPROM

The EK board also features a 1-Wire device acting as a “firmware label” to store information like chip type, manufacturer’s name, production date etc.

Figure 3-29. 1-Wire on EK



3.3.3.10 CAN Bus

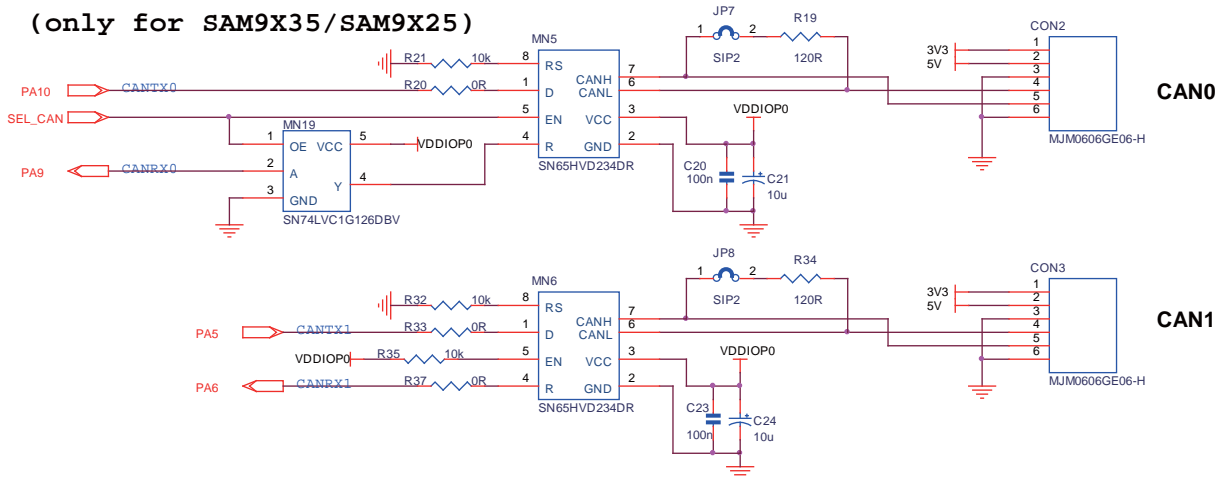
Two boards, the SAM9X35-EK and SAM9X25-EK, feature two Controller Area Network (CAN) ports with transceiver.

CAN0 uses the same IOs (PA9, PA10) as the DBGU. A jumper, JP11, is used to select either of the interfaces.

- Open JP11 to select the CAN function.
- Close JP11 to select the DBGU function.

A 3-state output buffer, MN19 is inserted in series with the output channels of the CAN transceiver, which share IOs with the DBGU. This is necessary because the CAN transceiver does not feature 3-state outputs.

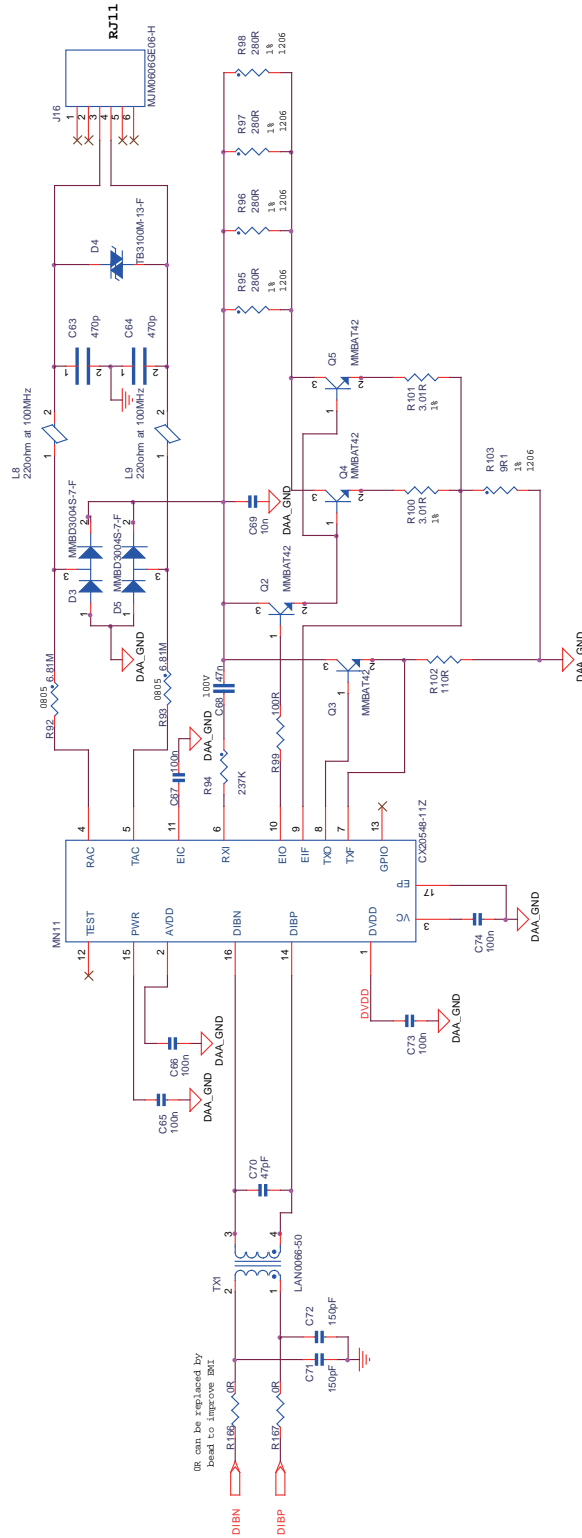
Figure 3-30. CAN on EK



3.3.3.11 Telephone Interface

The Evaluation Kit features a smart DAA (Data Access Arrangement) chip to drive an analog telephone line on RJ11 6P4C port (J16).

Figure 3-31. Telephone Interface



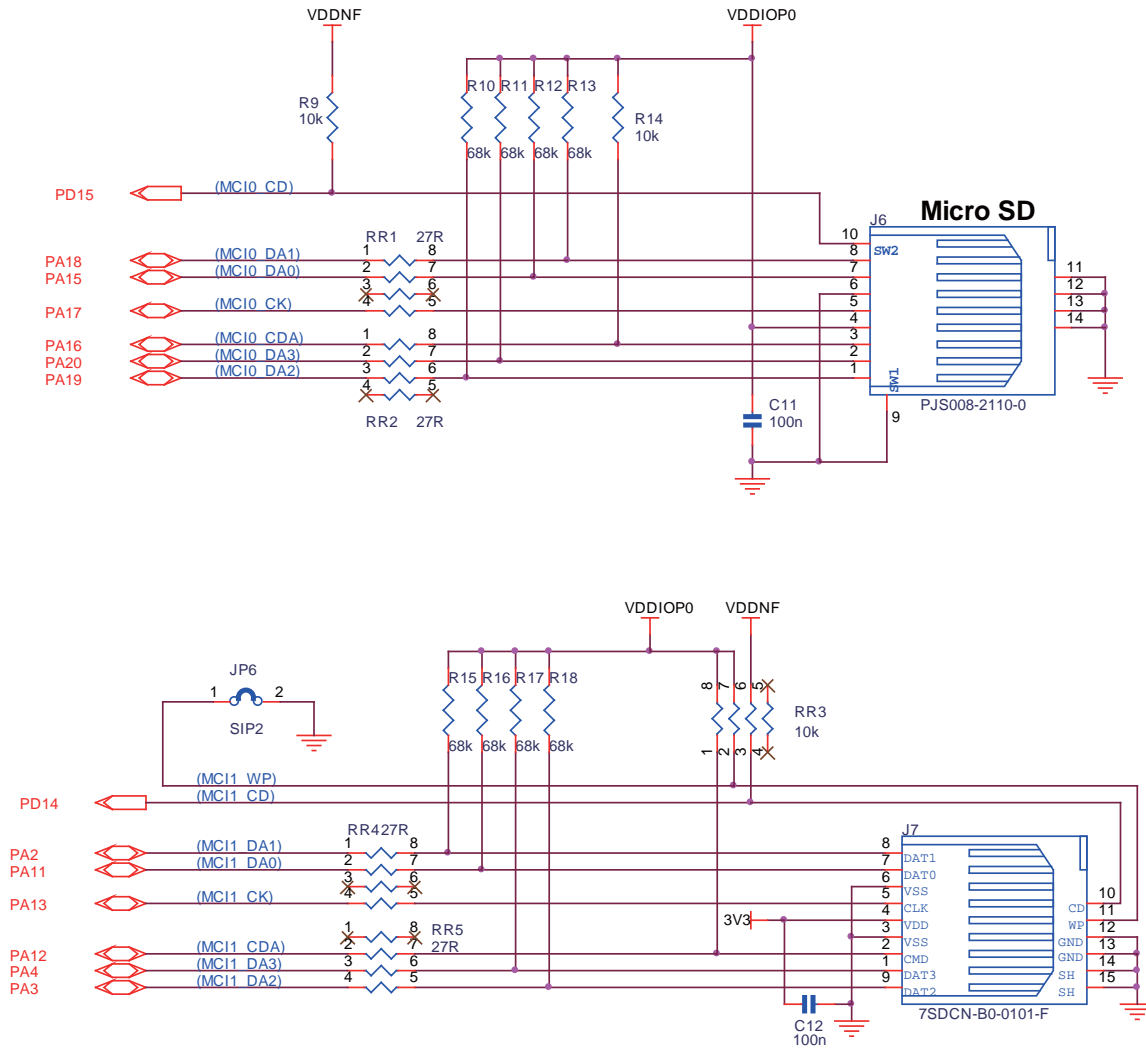
3.3.3.12 SD/MMC Interface

The EK board has two high-speed MultiMedia Card Interfaces (MCI). The first interface is used as a 4-bit interface (MCI0), connected to a MicroSD card slot. The second interface is used as a 4-bit interface (MCI1), connected to an SD/MMC card slot.

The memory card is not included in the Evaluation Kit.

Please note that the power is connected to VCC, which is 3.3 volts.

Figure 3-32. SD/MMC Interface

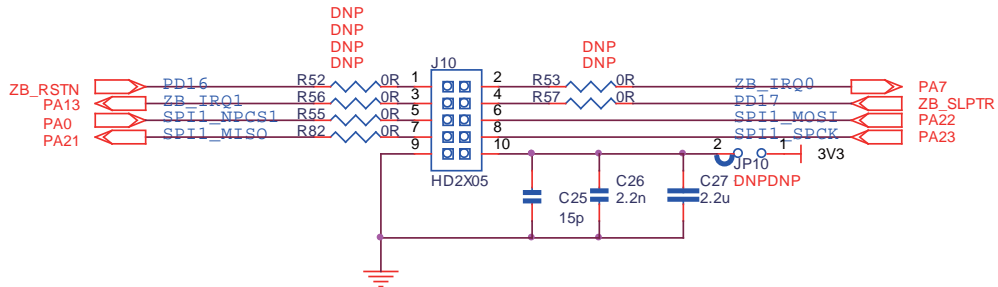


3.3.3.13 ZigBee

The EK board has a 10-pin male connector for the Atmel RZ600 ZigBee module.

DNP 0 Ohm resistors have been implemented in series with the PIO lines that are used elsewhere in the design. Thereby, enable their individual disconnections, should a conflict occur in user application.

Figure 3-33. ZigBee Interface



3.3.3.14 LED Indicators

The EK board has three LED indicators for purposes shown below:

Table 3-8. LED Indicators

Reference	Color	Function
D2	Red	3v3 Power indicator
D7	Red	ETH0 Full Duplex
D8	Red	ETH1 Full Duplex

Refer to [Section 3.3.3.2 "Power Supplies"](#) and [Section 3.3.3.7 "Ethernet 10/100 \(EMAC\) Port"](#) for details.

3.3.3.15 Expansion Ports

Most GPIOs are routed to expansion ports J1, J2, J3.

All I/Os of the MPU Image Sensor Interface (ISI) are routed to connectors J21.

The LCD and touch screen interfaces are routed to connectors J21, J22.

Figure 3-34. I/O Expansion

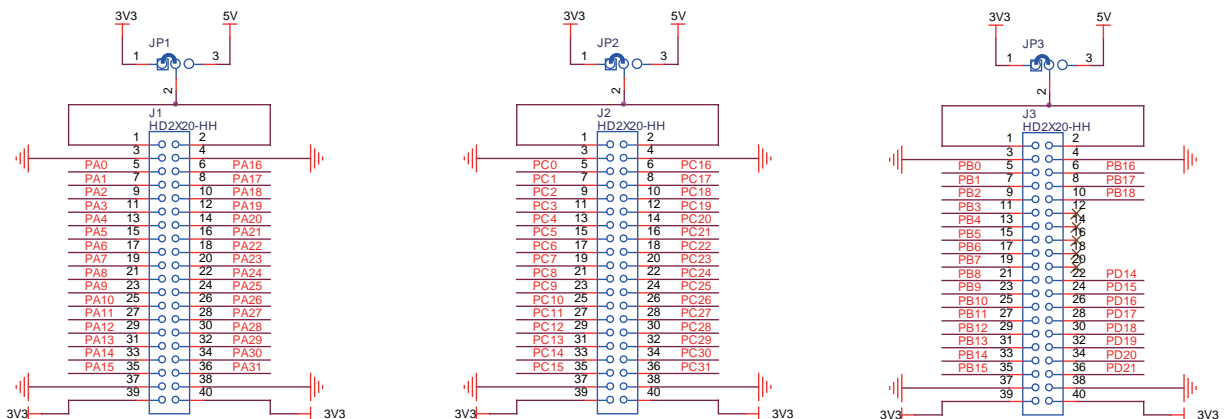
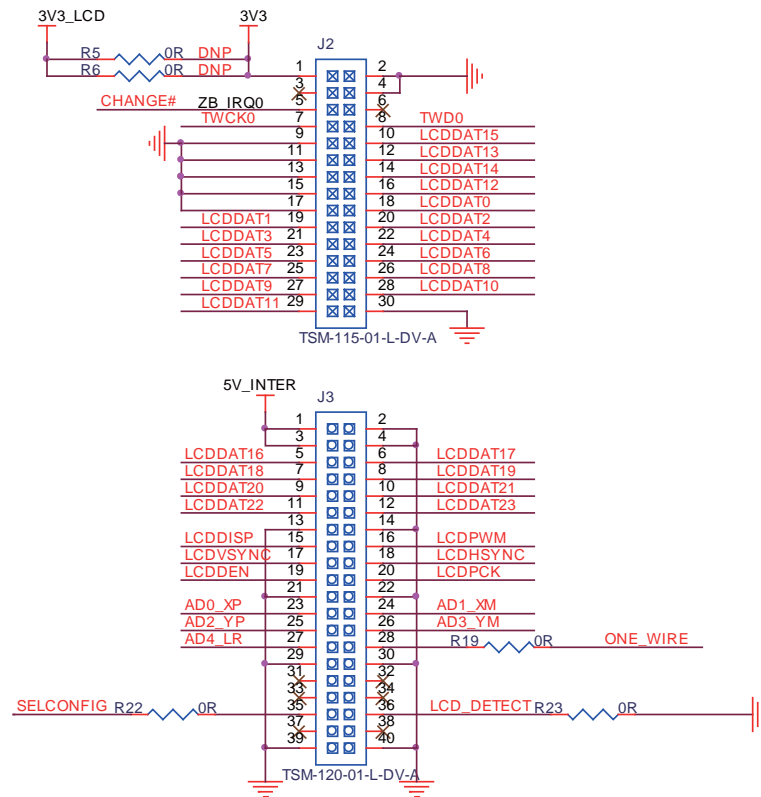


Figure 3-35. LCD and ISI Expansion



3.3.4 Configuration

This section describes the PIO usage, the jumpers, the test points and the solder drops of the EK board.

3.3.4.1 JTAG/ICE Configuration

Table 3-9. JTAG/ICE

Designation	Default Setting	Feature
R50	Not Populated	Disables the ICE NTRST input
R51	Populated	Enables the ICE RTCK return. R94 must be opened
R54	Populated	Enables the ICE NRST input
R58	Not Populated	Disables TCK <-> RTCK local loop

3.3.4.2 Boot Mode Select Configuration

Table 3-10. BMS

Designation	Default Setting	Feature
JP9	Open	Default to boot on embedded ROM Close to boot on external memory

3.3.4.3 Force Power ON Configuration

Table 3-11. Force Power ON

Designation	Default Setting	Feature
JP5	Close	Keep on-board regulator always on Open to feature SHDN function

3.3.4.4 White Protection Configuration on MC11

Table 3-12. Write Protection on MC11

Designation	Default Setting	Feature
JP6	Close	MC11 write protect selected Open to disable protection

3.3.4.5 Selection between DBGU and CAN

Table 3-13. Select DBGU or CAN

Designation	Default Setting	Feature
JP11	Close	Default to select DBGU Open to select CAN0

3.3.4.6 Codec IIS Configuration

Table 3-14. Codec IIS

Designation	Default Setting	Feature
R162, R164	Not Populated	IIS master mode, clock the codec by PCK0
C121, C122, Y3	Populated	IIS slaver mode, clock the codec by external crystal

3.3.4.7 ETH0 Configuration

Table 3-15. ETH0

Designation	Default Setting	Feature
R180, R183, R184, R185, R185, R186, R174, R175, R176	Not Populated	Populated to select the PHY channel on CM. Channel on EK must be cut if select the PHY on CM.
R177, R178, R179, R181, R182, R218, R171, R172, R173	Populated	Selection of PHY channel on EK

3.3.4.8 PIO Usage

Table 3-16. PIO A Pin Assignment and Signal Description

Signal	Alternate	Periph A	Periph B	Periph C	Module CM	EK
PA0	–	TXD0	SPI1_NPCS1	–	TXD0/ ZigBee	USART0 shared with ZigBee
PA1	–	RXD0	SPI0_NPCS2	–	RXD0	USART0
PA2	–	RTS0	MCI1_DA1	E0_ETX0	RTS0/ MCI1	USART0 shared with MCI1
PA3	–	CTS0	MCI1_DA2	E0_ETX1	CTS0/ MCI1	USART0 shared with MCI1
PA4	–	SCK0	MCI1_DA3	E0_ETXER	MCI1	–
PA5	–	TXD1	CANTX1	–	CAN1	–
PA6	–	RXD1	CANRX1	–	CAN1	–
PA7	–	TXD2	SPI0_NPCS1	–	–	ZB_IRQ0
PA8	–	RXD2	SPI1_NPCS0	–	–	Serial Flash
PA9	–	–	CANRX0	–	DBGU+CAN0	DBGU shared with CAN0
PA10	–	–	CANTX0	–	DBGU+CAN0	DBGU shared with CAN0
PA11	–	SPI0_MISO	MCI1_DA0	–	MCI1	–
PA12	–	SPI0_MOSI	MCI1_CDA	–	MCI1	–
PA13	–	SPI0_SPCK	MCI1_CK	–	MCI1	ZB_IRQ1
PA14	–	SPI0_NPCS0	–	–	–	MCI0
PA15	–	MCI0_DA0	–	–	–	MCI0
PA16	–	MCI0_CDA	–	–	–	MCI0
PA17	–	MCI0_CK	–	–	–	MCI0
PA18	–	MCI0_DA1	–	–	–	MCI0
PA19	–	MCI0_DA2	–	–	–	MCI0
PA20	–	MCI0_DA3	–	–	–	Serial Flash
PA21	–	TIOA0	SPI1_MISO	–	ZigBee	Serial Flash
PA22	–	TIOA1	SPI1_MOSI	–	ZigBee	Serial Flash
PA23	–	TIOA2	SPI1_SPCK	–	ZigBee	SSC
PA24	–	TCLK0	TK	–	–	SSC
PA25	–	TCLK1	TF	–	–	SSC
PA26	–	TCLK2	TD	–	–	SSC
PA27	–	TIOB0	RD	–	–	SSC
PA28	–	TIOB1	RK	–	–	SSC
PA29	–	TIOB2	RF	–	–	SSC
PA30	–	TWD0	SPI1_NPCS3	E0_EMDC	–	TWD0
PA31	–	TWCK0	SPI1_NPCS2	E0_ETXEN	–	TWCK0

Table 3-17. PIO B Pin Assignment and Signal Description

Signal	Alternate	Periph A	Periph B	Periph C	Module CM	EK
PB0	–	E0_RX0	RTS2	–	ETH0	–
PB1	–	E0_RX1	CTS2	–	ETH0	–
PB2	–	E0_RXER	SCK2	–	ETH0	–
PB3	–	E0_RXDV	SPI0_NPCS3	–	ETH0	–
PB4	–	E0_TXCK	TWD2	–	ETH0	–
PB5	–	E0_MDIO	TWCK2	–	ETH0	–
PB6	AD7	E0_MDC	–	–	ETH0	–
PB7	AD8	E0_TXEN	–	–	ETH0	–
PB8	AD9	E0_TXER	–	–	ETH0_INTR	–
PB9	AD10	E0_TX0	PCK1	–	ETH0	–
PB10	AD11	E0_TX1	PCK0	–	ETH0	–
PB11	AD0xp	E0_TX2	PWM0	–	–	TSC
PB12	AD1xm	E0_TX3	PWM1	–	–	TSC
PB13	AD2yp	E0_RX2	PWM2	–	–	TSC
PB14	AD3ym	E0_RX3	PWM3	–	–	TSC
PB15	AD4lr	E0_RXCK	–	–	–	TSC
PB16	AD5	E0_CRD	–	–	–	VBUS_SENSE (USB)
PB17	AD6	E0_COL	–	–	–	OVCUR_USB (Open drain)
PB18		IRQ	ADTRG	–	USER_LED1#	ONE_WIRE

Table 3-18. PIO C Pin Assignment and Signal Description

Signal	Alternate	Periph A	Periph B	Periph C	Module CM	EK f (LCD)	EK f (ISI+IO)
PC0	–	LCDDAT0	ISI_D0	TWD1	–	LCDDAT0	ISI_D0
PC1	–	LCDDAT1	ISI_D1	TWCK1	–	LCDDAT1	ISI_D1
PC2	–	LCDDAT2	ISI_D2	TIOA3	–	LCDDAT2	ISI_D2
PC3	–	LCDDAT3	ISI_D3	TIOB3	–	LCDDAT3	ISI_D3
PC4	–	LCDDAT4	ISI_D4	TCLK3	–	LCDDAT4	ISI_D4
PC5	–	LCDDAT5	ISI_D5	TIOA4	–	LCDDAT5	ISI_D5
PC6	–	LCDDAT6	ISI_D6	TIOB4	–	LCDDAT6	ISI_D6
PC7	–	LCDDAT7	ISI_D7	TCLK4	–	LCDDAT7	ISI_D7
PC8	–	LCDDAT8	ISI_D8	UTXD0	–	LCDDAT8	ISI_D8
PC9	–	LCDDAT9	ISI_D9	URXD0	–	LCDDAT9	ISI_D9
PC10	–	LCDDAT10	ISI_D10	PWM0	–	LCDDAT10	ISI_D10
PC11	–	LCDDAT11	ISI_D11	PWM1	–	LCDDAT11	ISI_D11
PC12	–	LCDDAT12	ISI_PCK	TIOA5	–	LCDDAT12	ISI_PCK
PC13	–	LCDDAT13	ISI_VSYNC	TIOB5	–	LCDDAT13	ISI_VSYNC
PC14	–	LCDDAT14	ISI_HSYNC	TCLK5	–	LCDDAT14	ISI_HSYNC
PC15	–	LCDDAT15	ISI_MCK	PCK0	SSC	LCDDAT15	ISI_MCK/PCK0
PC16	–	LCDDAT16	E1_RXER	UTXD1	–	LCDDAT16	E1_RXER
PC17	–	LCDDAT17	–	URXD1	–	LCDDAT17	–
PC18	–	LCDDAT18	E1_TX0	PWM0	–	LCDDAT18	E1_TX0
PC19	–	LCDDAT19	E1_TX1	PWM1	–	LCDDAT19	E1_TX1
PC20	–	LCDDAT20	E1_RX0	PWM2	–	LCDDAT20	E1_RX0
PC21	–	LCDDAT21	E1_RX1	PWM3	–	LCDDAT21	E1_RX1
PC22	–	LCDDAT22	TXD3	–	–	LCDDAT22	TXD3
PC23	–	LCDDAT23	RXD3	–	–	LCDDAT23	RXD3
PC24	–	LCDDISP	RTS3	–	–	LCDDISP	RTS3
PC25	–	–	CTS3	–	–	–	CTS3
PC26	–	LCDPWM	SCK3	–	Eth1_Intr1	LCDPWM	–
PC27	–	LCDVSYNC	E1_TXEN	RTS1	–	LCDVSYNC	E1_TXEN
PC28	–	LCDHSYNC	E1_CRSDV	CTS1	–	LCDHSYNC	E1_CRSDV
PC29	–	LCDDEN	E1_TXCK	SCK1	–	LCDDEN	E1_TXCK
PC30	–	LCDPCK	E1_MDC	–	–	LCDPCK	E1_MDC
PC31	–	FIQ	E1_MDIO	PCK1	–	–	E1_MDIO

Table 3-19. PIO D Pin Assignment and Signal Description

Signal	Alternate	Periph A	Periph B	Periph C	Module CM	EK
PD0	–	NANDOE	–	–	Nand Flash	–
PD1	–	NANDWE	–	–	Nand Flash	–
PD2	–	A21/NANDALE	–	–	Nand Flash	–
PD3	–	A22/NANDCLE	–	–	Nand Flash	–
PD4	–	NCS3	–	–	CS NAND Flash	–
PD5	–	NWAIT	–	–	NAND_RD/BY	–
PD6	–	D16	–	–	Nand Flash	–
PD7	–	D17	–	–	Nand Flash	–
PD8	–	D18	–	–	Nand Flash	–
PD9	–	D19	–	–	Nand Flash	–
PD10	–	D20	–	–	Nand Flash	MCI0_CD (switch)
PD11	–	D21	–	–	Nand Flash	MCI1_CD (switch)
PD12	–	D22	–	–	Nand Flash	ZB_RSTN
PD13	–	D23	–	–	Nand Flash	ZB_SLPTR
PD14	–	D24	–	–	–	EN5V_HDA#
PD15	–	D25	A20	–	–	EN5V_HDB#
PD16	–	D26	A23	–	–	EN5V_HDC#
PD17	–	D27	A24	–	–	–
PD18	–	D28	A25	–	–	–
PD19	–	D29	NCS2	–	–	–
PD20	–	D30	NCS4	–	–	–
PD21	–	D31	NCS5	–	POWR_LED	–

3.3.5 Connectors

3.3.5.1 Power Supply

Figure 3-36. Power Supply Connector J4

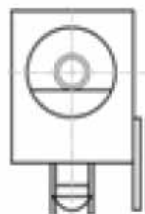


Table 3-20. Power Supply Connector J2 Signal Description

Pin	Mnemonic	Signal description
1	Center	+5V
2	–	GND
3	–	Floating

3.3.5.2 SODIMM Card Edge Socket

The Evaluation Kit uses a SODIMM200 standard connector for CM board interfacing.

Please note that this is not an industry standard pin-out and that it is unlikely to be compatible with off-the-shelf SODIMM cards.

Figure 3-37. SODIMM200 Socket CON1



Table 3-21. SODIMM200 CON1 Signal Descriptions

Function	Type	x5 pad name	SODIMM 200			x5 pad name	Type	Function
		Front Side	A	–	B	Back Side		
VCC 3V3	–	POWER OUTPUT	1	–	2	POWER OUTPUT	–	VCC 3V3
VCC 3V3	–	POWER OUTPUT	3	–	4	POWER OUTPUT	–	VCC 3V3
GND	–	–	5	–	6	POWER OUTPUT	VBAT	–
USBC_DP	I/O	USB Data Positive	7	–	8	–	SYSC	JTAGSEL
USBC_DM	I/O	USB Data Negative	9	–	10	–	SYSC	WKUP
GND	–	–	11	–	12	–	SYSC	SHDN
USBB_DM	I/O	USB Data Negative	13	–	14	–	SYSC	BMS
USBB_DP	I/O	USB Data Positive	15	–	16	–	SYSC	nRST

Table 3-21. SODIMM200 CON1 Signal Descriptions (Continued)

Function	Type	x5 pad name	SODIMM 200			x5 pad name	Type	Function
GND	–	–	17	–	18	–	SYSC	nTRST
DIBP	I/O	–	19	–	20	–	RSTJTAG	TDI
DIBN	I/O	–	21	–	22	–	RSTJTAG	TCK
GND	–	–	23	–	24	–	RSTJTAG	TMS
USBA_DM	I/O	USB Data Negative	25	–	26	–	RSTJTAG	TDO
USBA_DP	I/O	USB Data Positive	27	–	28	–	RSTJTAG	RTCK
GND	–	–	29	–	30	–	–	PWR_EN
RFU	–	RFU	31	–	32	RFU	–	RFU
RFU	–	RFU	33	–	34	RFU	–	RFU
RFU	–	RFU	35	–	36	RFU	–	RFU
RFU	–	RFU	37	–	38	RFU	–	RFU
RFU	–	RFU	39	–	40	RFU	–	RFU
KEY								
GND	–	–	41	–	42	–	–	GND
RFU	–	RFU	43	–	44	RFU	–	RFU
RFU	–	RFU	45	–	46	RFU	–	RFU
RFU	–	RFU	47	–	48	RFU	–	RFU
RFU	–	RFU	49	–	50	RFU	–	RFU
GND	–	–	51	–	52	–	–	GND
RFU	–	RFU	53	–	54	RFU	–	RFU
RFU	–	RFU	55	–	56	RFU	–	RFU
RFU	–	RFU	57	–	58	RFU	–	RFU
RFU	–	RFU	59	–	60	RFU	–	RFU
VDDNF	POWER DOMAIN FROM CM		61	–	62	POWER DOMAIN FROM CM		VDDNF
PD0	GPIO D	NANDOE	63	–	64	NANDWE	GPIO D	PD1
PD2	GPIO D	A21/NANDALE	65	–	66	A22/NANDCLE	GPIO D	PD3
PD4	GPIO D	NCS3	67	–	68	NWAIT	GPIO D	PD5
PD6	GPIO D	D16	69	–	70	D17	GPIO D	PD7
PD8	GPIO D	D18	71	–	72	D19	GPIO D	PD9
GND	–	–	73	–	74	–	–	GND
PD10	GPIO D	D20	75	–	76	D21	GPIO D	PD11
PD12	GPIO D	D22	77	–	78	D23	GPIO D	PD13
PD14	GPIO D	D24	79	–	80	D25/A20	GPIO D	PD15
PD16	GPIO D	D26/A23	81	–	82	D27/A24	GPIO D	PD17
PD18	GPIO D	D28/A25	83	–	84	D29/NCS2	GPIO D	PD19
PD20	GPIO D	D30/NCS4	85	–	86	D31/NCS5	GPIO D	PD21
VDDIOP0	POWER OUTPUT		87	–	88	POWER OUTPUT		VDDIOP0

Table 3-21. SODIMM200 CON1 Signal Descriptions (Continued)

Function	Type	x5 pad name	SODIMM 200			x5 pad name	Type	Function
PA0	GPIO A	TXD0/SPI1-NPCS1	89	–	90	RXD0/SPI0-NPCS2	GPIO A	PA1
PA2	GPIO A	MCI1_DA1/E0_ETX0	91	–	92	CTS0/ MCI1_DA2/ E0_ETX1	GPIO A	PA3
PA4	GPIO A	SCK0/MCI1_DA3/ E0_ETXER	93	–	94	–	–	GND
PA11	GPIO A	SPI0_MISO/ MCI1_DA0	95	–	96	SPI0_MOSI/ MCI1_CDA	GPIO A	PA12
PA13	GPIO A	SPI0_SPCK/ MCI1_CK	97	–	98	SPI0_NPCS0	GPIO A	PA14
GND	–	–	99	–	100	TXD2/ SPI0_NPCS1	GPIO A	PA7
PA8	GPIO A	RXD2/SPI1_NPCS0	101	–	102	TIOA0 /SPI1_MISO	GPIO A	PA21
PA22	GPIO A	TIOA1/SPI1_MOS1	103	–	104	TIOA2/ SPI1_SPCK	GPIO A	PA23
PA31	GPIO A	TWCK0/SPI1_NPCS 2/E0_ETXEN	105	–	106	TWD0/ SPI1_NPCS3/ E0_EMDC	GPIO A	PA30
GND	–	–	107	–	108	MCI0_DA0	GPIO A	PA15
PA16	GPIO A	MCI0_CDA	109	–	110	MCI0_CK	GPIO A	PA17
PA18	GPIO A	MCI0_DA1	111	–	112	MCI0_DA2	GPIO A	PA19
PA20	GPIO A	MCI0_DA3	113	–	114	–	–	GND
PA5	GPIO A	TXD1/CANTX1	115	–	116	RXD1/CANRX1	GPIO A	PA6
PA10	GPIO A	DTXD/CANTX0	117	–	118	DRXD/CANRX0	GPIO A	PA9
GND	–	–	119	–	120	TCLK0/TK	GPIO A	PA24
PA25	GPIO A	TCLK1/TF	121	–	122	TCLK2/TD	GPIO A	PA26
PA27	GPIO A	TIOB0/RD	123	–	124	TIOB1/RK	GPIO A	PA28
PA29	GPIO A	TIOB2/RF	125	–	126	–	–	GND
VDDIOP1	POWER OUTPUT		127	–	128	POWER OUTPUT		VDDIOP1
PC0	GPIO C	LCDDAT0/ISI_D0	129	–	130	LCDDAT1	GPIO C	PC1
PC2	GPIO C	LCDDAT2/ISI_D2	131	–	132	LCDDAT3	GPIO C	PC3
PC4	GPIO C	LCDDAT4	133	–	134	LCDDAT5	GPIO C	PC5
GND	–	–	135	–	136	LCDDAT6	GPIO C	PC6
PC7	GPIO C	LCDDAT7	137	–	138	LCDDAT8	GPIO C	PC8
PC9	GPIO C	LCDDAT9	139	–	140	LCDDAT10	GPIO C	PC10
PC11	GPIO C	LCDDAT11	141	–	142	–	–	GND
PC12	GPIO C	LCDDAT12	143	–	144	LCDDAT13	GPIO C	PC13
PC14	GPIO C	LCDDAT14	145	–	146	LCDDAT15	GPIO C	PC15
GND	–	–	147	–	148	LCDDAT16	GPIO C	PC16
PC17	GPIO C	LCDDAT17	149	–	150	LCDDAT18	GPIO C	PC18
PC19	GPIO C	LCDDAT19	151	–	152	LCDDAT20	GPIO C	PC20

Table 3-21. SODIMM200 CON1 Signal Descriptions (Continued)

Function	Type	x5 pad name	SODIMM 200			x5 pad name	Type	Function
PC21	GPIO C	LCDDAT21	153	–	154	–	–	GND
PC22	GPIO C	LCDDAT22	155	–	156	LCDDAT23	GPIO C	PC23
PC24	GPIO C	LCDDISP	157	–	158	–	GPIO C	PC25
PC26	GPIO C	LCDPWM	159	–	160	LCDVSYNC	GPIO C	PC27
GND	–	–	161	–	162	LCDHSYNC	GPIO C	PC28
PC29	GPIO C	LCDDEN	163	–	164	E1_MDC	GPIO C	PC30
PC31	GPIO C	E1_MDIO	165	–	166	–	–	SELCONFIG
VDDANA	POWER OUTPUT		167	–	168	POWER OUTPUT		VDDANA
PB0	GPIO B	E0_RX0	169	–	170	E0_RX1	GPIO B	PB1
PB2	GPIO B	E0_RXER	171	–	172	E0_RXDV	GPIO B	PB3
PB4	GPIO B	E0_TXCK	173	–	174	E0_MDIO	GPIO B	PB5
PB6	GPIO B	E0_MDC	175	–	176	E0_TXEN	GPIO B	PB7
PB8	GPIO B	E0_TXER	177	–	178	GNDANA	–	–
PB9	GPIO B	E0_TX0	179	–	180	E0_TX1	GPIO B	PB10
PB11	GPIO B	E0_TX2	181	–	182	E0_TX3	GPIO B	PB12
PB13	GPIO B	E0_RX2	183	–	184	E0_RX3	GPIO B	PB14
PB15	GPIO B	E0_RXCK	185	–	186	E0_CRS	GPIO B	PB16
PB17	GPIO B	E0_COL	187	–	188	GNDANA	–	–
PB18	GPIO B	IRQ	189	–	190	POWER OUTPUT		POWR_REF
GND	–	–	191	–	192	–	ETH	LED0
ETH0_TX+	ETH	–	193	–	194	–	ETH	LED1
ETH0_TX-	ETH	–	195	–	196	–	ETH	LED2
ETH0_RX+	ETH	–	197	–	198	–	ETH	AVDDT
ETH0_RX-	ETH	–	199	–	200	–	–	GND_ETH

3.3.5.3 JTAG/ICE Connector

Figure 3-38. JTAG J9

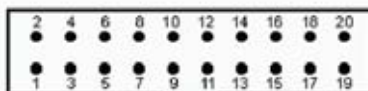


Table 3-22. JTAG/ICE Connector J13 Signal Descriptions

Pin	Mnemonic	Description
1	VTref. 3.3V power	This is the target reference voltage. It is used to check if the target has power, to create the logic-level reference for the input comparators, and to control the output logic levels to the target. It is normally fed from VDD on the target board and must not have a series resistor.
2	Vsupply. 3.3V power	This pin is not connected in SAM-ICE. It is reserved for compatibility with other equipment. Connect to VDD or leave open in target system.
3	nTRST TARGET RESET - Active-low output signal that resets the target	JTAG Reset. Output from SAM-ICE to the Reset signal on the target JTAG port. Typically connected to nTRST on the target CPU. This pin is normally pulled HIGH on the target to avoid unintentional resets when there is no connection.
4	GND	Common ground
5	TDI TEST DATA INPUT - Serial data output line, sampled on the rising edge of the TCK signal.	JTAG data input of target CPU. It is recommended that this pin is pulled to a defined state on the target board. Typically connected to TDI on target CPU.
6	GND	Common ground
7	TMS TEST MODE SELECT	JTAG mode set input of target CPU. This pin should be pulled up on the target. Typically connected to TMS on target CPU. Output signal that sequences the target's JTAG state machine, sampled on the rising edge of the TCK signal.
8	GND	Common ground
9	TCK TEST CLOCK - Output timing signal, for synchronizing test logic and control register access.	JTAG clock signal to target CPU. It is recommended that this pin is pulled to a defined state on the target board. Typically connected to TCK on target CPU.
10	GND	Common ground
11	RTCK - Input Return test clock signal from the target.	Some targets must synchronize the JTAG inputs to internal clocks. To assist in meeting this requirement, a returned and retimed TCK can be used to dynamically control the TCK rate. SAM-ICE supports adaptive clocking which waits for TCK changes to be echoed correctly before making further changes. Connect to RTCK if available, otherwise to GND.
12	GND	Common ground
13	TDO JTAG TEST DATA OUTPUT - Serial data input from the target.	JTAG data output from target CPU. Typically connected to TDO on target CPU.
14	GND	Common ground
15	nSRST RESET	Active-low reset signal. Target CPU reset signal.
16	GND	Common ground
17	RFU	This pin is not connected in SAM-ICE.

Table 3-22. JTAG/ICE Connector J13 Signal Descriptions (Continued)

Pin	Mnemonic	Description
18	GND	Common ground
19	RFU	This pin is not connected in SAM-ICE.
20	GND	Common ground

3.3.5.4 USB Type A Dual Port

Figure 3-39. USB Type A Dual Port J19

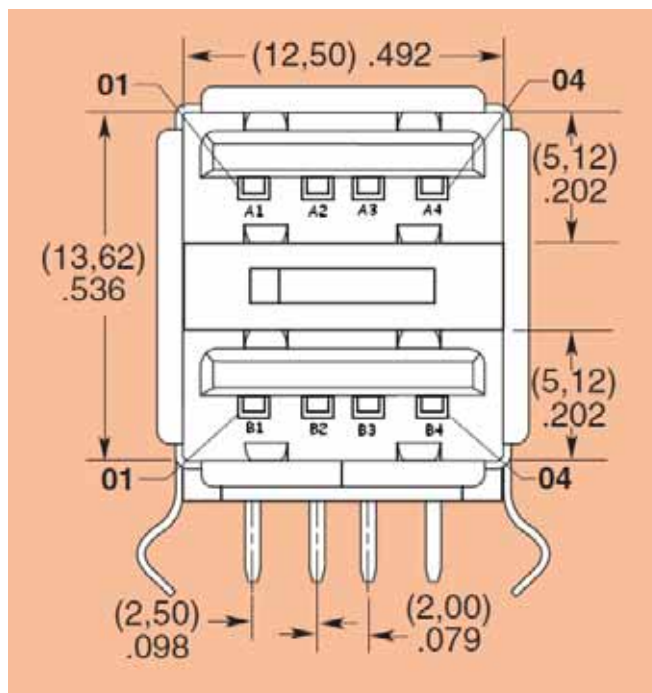


Table 3-23. USB Type A Dual Port J19 Signal Descriptions

Pin	Mnemonic	Description
A1	Vbus – USB_A	5V power
A2	DM – USB_A	Data minus
A3	DP – USB_A	Data plus
A4	GND	Common ground
B1	Vbus – USB_A	5V power
B2	DM – USB_A	Data minus
B3	DP – USB_A	Data plus
B4	GND	Common ground
Mechanical pins		Shield

3.3.5.5 USB Micro AB

Figure 3-40. USB Host/Device Micro AB Connector J20



Table 3-24. USB Host/Device Micro AB Connector J20 Signal Descriptions

Pin	Mnemonic	Description
1	Vbus	5v power
2	DM	Data minus
3	DP	Data plus
4	ID	On the Go Identification
5	GND	Common ground

3.3.5.6 DBGU

Figure 3-41. DBGU Connector J11

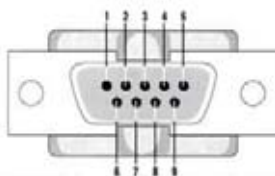


Table 3-25. DBGU Connector J11 Signal Descriptions

Pin	Mnemonic	Description
1, 4, 6, 9	–	NO CONNECTION
2	RXD (RECEIVED DATA)	RS232 serial data output signal
3	TXD (TRANSMITTED Data)	RS232 serial data input signal
5	GND	Common ground
7	RTS (REQUEST TO SEND)	NO USED
8	CTS (CLEAR TO SEND)	NO USED
Mechanical pins	–	Shield

3.3.5.7 RS232 Connector with RTS/CTS Handshake Support

Figure 3-42. USART Connector J12, J13

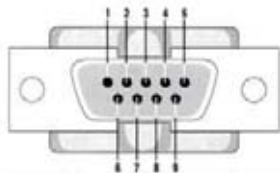


Table 3-26. USART Connector J12 Signal Descriptions

Pin	Mnemonic	PIO	Description
1, 4, 6, 9	–	–	NO CONNECTION
2	RXD (RECEIVED DATA)	PA1	RS232 serial data output signal
3	TXD (TRANSMITTED Data)	PA0	RS232 serial data input signal
5	GND	–	Common ground
7	RTS (REQUEST TO SEND)	PA2	Active-positive RS232 input signal
8	CTS (CLEAR TO SEND)	PA3	Active-positive RS232 output signal
Mechanical pins	–	–	Shield

Table 3-27. USART Connector J13 Signal Descriptions

Pin	Mnemonic	PIO	Description
1, 4, 6, 9	–	–	NO CONNECTION
2	RXD (RECEIVED DATA)	PC23	RS232 serial data output signal
3	TXD (TRANSMITTED Data)	PC22	RS232 serial data input signal
5	GND	–	Common ground
7	RTS (REQUEST TO SEND)	PC24	Active-positive RS232 input signal
8	CTS (CLEAR TO SEND)	PC25	Active-positive RS232 output signal
Mechanical pins	–	–	Shield

3.3.5.8 DAA RJ11 Socket (6P4C)

Figure 3-43. DAA RJ11 Socket J16

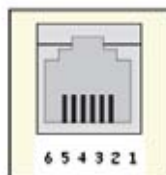


Table 3-28. DAA RJ11 Socket J16 Signal Descriptions

Pin	Mnemonic	Description
1, 2, 5, 6	–	NO CONNECTION
3	RAC	RING side of ordinary telephone line
4	TAC	TIP side of ordinary telephone line

3.3.5.9 CAN RJ12 Socket (6P6C)

Figure 3-44. CAN RJ12 Socket CON2, CON3

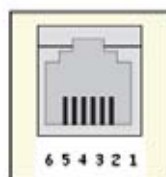


Table 3-29. DAA RJ11 Socket J16 Signal Descriptions

Pin	Mnemonic	Description
1	3V3	POWER PIN
2	5V	POWER PIN
4	CANL	CAN bus differential pair
5	CANH	CAN bus differential pair
4, 6	GND	Common ground

3.3.5.10 MicroSD MCI0

Figure 3-45. MicroSD Socket J6

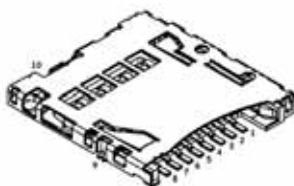


Table 3-30. MicroSD Socket J6 Signal Descriptions

Pin	Mnemonic	Description
1	DAT2	Data Bit 2
2	CD/DAT3	Card Detect/Data Bit 3
3	CMD	Command Line
4	VCC	Supply Voltage 3.3V
5	CLK	Command Line
6	VSS	Common ground
7	DAT0	Data Bit 0
8	DAT1	Data Bit 1
9	SW1	No use, grounded
10	CARD DETECT	CARD DETECT

3.3.5.11 SD/MMC MCI1

Figure 3-46. SD/MMC Socket J7



Table 3-31. SD Socket J7 Signal Descriptions

Pin	Mnemonic	PIO	Signal		
			MMC Card	SD Card	
				1-Bit Mode	4-Bit Mode
1	MCI1_DA2	PA3	Not Used	Read Wait (RW)	Data Line DAT2 or Read Wait (RW)
2	MCI1_DA3	PA4	Reserved	Not Used	Data Line DAT3
3	MCI1_CDA	PA12	Command/Response		
4	VDDIOP0		Supply Voltage (3.3-volts) VDDIOP0		
5	MCI1_CK	PA13	Clock		
6	GND		Ground		

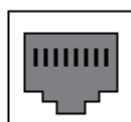
Table 3-31. SD Socket J7 Signal Descriptions (Continued)

Pin	Mnemonic	PIO	Signal		
			MMC Card	SD Card	
				1-Bit Mode	4-Bit Mode
7	MCI1_DA0	PA11	Data Line DAT0		
8	MC1_DA1	PA2	Not Used	Interrupt (IRQ)	Data Line DAT1 or Interrupt (IRQ)
9	GND		Ground		
10	MCI1_CD	PD14	Card Detect, configured as GPIO, Power domain VDDNF		
11	WP		Write Protect Detect, connects to jumper JP6		
12	GND		Ground		
13	GND		Ground		
14	GND		Ground		
15	GND		Ground		

3.3.5.12 Ethernet RJ45 Socket J17, J18

Figure 3-47. Ethernet RJ45 Socket J17, J18

1 2 3 4 5 6 7 8



RJ-45

Table 3-32. DAA RJ11 Socket J16 Signal Descriptions

Pin	Mnemonic	Description
1	TX+	DIFFERENTIAL OUTPUT PLUS
2	TX-	DIFFERENTIAL OUTPUT MINUS
3	RX+	DIFFERENTIAL INPUT PLUS
4	Reserved	–
5	Reserved	DIFFERENTIAL INPUT MINUS
6	RX-	–
7	Reserved	–
8	Reserved	–

3.3.5.13 ZigBee Socket J10

Figure 3-48. ZigBee Socket J10

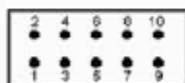


Table 3-33. ZigBee Socket J10 Signal Descriptions

Function	Signal Name	Port	Pin	Pin	Port	Signal Name	Function	Option on misc. port set by OR or solder shunts
Reset	/RST	–	1	2	–	Misc.	–	<ul style="list-style-type: none"> • EEprom for MAC address, cap array settings and serial number • TST: test mode activation • CLKM: RF chip clock output
Interrupt Request	IRQ	–	3	4	–	SLP_TR	SLP_TR	–
SPI chip select	/SEL	–	5	6	–	MOSI	SPI MOSI	–
SPI MISO	MISO	–	7	8	–	SCLK	SPI CLK	–
Power Supply	GND	GND	9	10	VCC	VCC	VCC	Voltage range: 1.8v to 5.5v, regulated to 3.3v

3.3.5.14 LCD/ISI Socket J21

Figure 3-49. LCD/ISI Socket J21

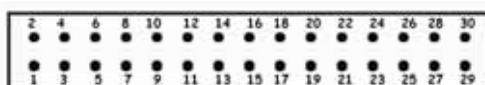


Table 3-34. LCD/ISI Socket J21 Signal Descriptions

LCD	ISI	Pin Num	Pin Num	ISI	LCD
3V3	3V3	1	2	GND	GND
VDDISI	VDDISI	3	4	GND	GND
ZB_IRQ0	ZB_IRQ0	5	6	–	ZB_IRQ1
TWCK0	TWCK0	7	8	–	TWD0
GND	GND	9	10	ISI_MCK	LCDDAT15
GND	GND	11	12	ISI_VSYNC	LCDDAT13
GND	GND	13	14	ISI_HSYNC	LCDDAT14
GND	GND	15	16	ISI_PCK	LCDDAT12
GND	GND	17	18	ISI_D0	LCDDAT0

Table 3-34. LCD/ISI Socket J21 Signal Descriptions (Continued)

LCD	ISI	Pin Num	Pin Num	ISI	LCD
LCDDAT1	ISI_D1	19	20	ISI_D2	LCDDAT2
LCDDAT3	ISI_D3	21	22	ISI_D4	LCDDAT4
LCDDAT5	ISI_D5	23	24	ISI_D6	LCDDAT6
LCDDAT7	ISI_D7	25	26	ISI_D8	LCDDAT8
LCDDAT9	ISI_D9	27	28	ISI_D10	LCDDAT10
LCDDAT11	ISI_D11	29	30	GND	GND

3.3.5.15 LCD/TSC Socket J22

Figure 3-50. LCD/TSC Socket J22

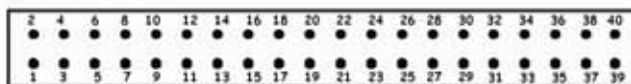


Table 3-35. LCD/TSC Socket J22 Signal Descriptions

LCD		Pin Num	Pin Num		LCD
5V	5V_INTER	1	2	GND	GND
5V	5V_INTER	3	4	GND	GND
LCDDAT16	–	5	6	–	LCDDAT17
LCDDAT18	–	7	8	–	LCDDAT19
LCDDAT20	–	9	10	–	LCDDAT21
LCDDAT22	–	11	12	–	LCDDAT23
GND	GND	13	14	GND	GND
LCDDISP	–	15	16	–	LCDPWM
LCDCSYNC	–	17	18	–	LCDHSYNC
LCDDEN	–	19	20	–	LCDPCK
GND	GND	21	22	GND	GND
AD0_XP	TSC	23	24	TSC	AD1_XM
AD2_YP	TSC	25	26	TSC	AD3_YM
AD4_LR	TSC	27	28	–	ONE_WIRE
GND	GND	29	30	GND	GND
SPI1_MISO	–	31	32	–	SPI1_MOSI
SPI1_SPCK	–	33	34	–	SPI1_NPCS1
EN_PWRLCD	SELCONFIG	35	36	LCD_DETECT	LCD_DETECT#
PD16	–	37	38	–	PD17
GND	GND	39	40	GND	GND

3.3.5.16 IO Expansion Port J1

Figure 3-51. IO Expansion Socket J1

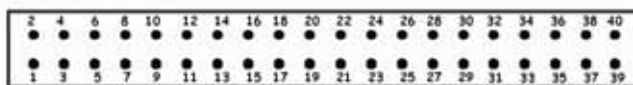


Table 3-36. Expansion Socket J1 Signal Descriptions

PIO	Power	Pin Num	Pin Num	Power	PIO
–	3V3, or 5V	1	2	3V3, or 5V	–
–	GND	3	4	GND	–
PA0	–	5	6	–	PA16
PA1	–	7	8	–	PA17
PA2	–	9	10	–	PA18
PA3	–	11	12	–	PA19
PA4	–	13	14	–	PA20
PA5	–	15	16	–	PA21
PA6	–	17	18	–	PA22
PA7	–	19	20	–	PA23
PA8	–	21	22	–	PA24
PA9	–	23	24	–	PA25
PA10	–	25	26	–	PA26
PA11	–	27	28	–	PA27
PA12	–	29	30	–	PA28
PA13	–	31	32	–	PA29
PA14	–	33	34	–	PA30
PA15	–	35	36	–	PA31
–	GND	37	38	GND	–
–	3V3	39	40	3V3	–

3.3.5.17 IO Expansion Port J2

Figure 3-52. IO Expansion Socket J2

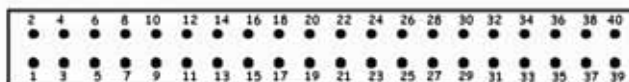


Table 3-37. Expansion Socket J1 Signal Descriptions

PIO	Power	Pin Num	Pin Num	Power	PIO
–	3V3, or 5V	1	2	3V3, or 5V	–
–	GND	3	4	GND	–
PC0	–	5	6	–	PC16
PC1	–	7	8	–	PC17
PC2	–	9	10	–	PC18
PC3	–	11	12	–	PC19
PC4	–	13	14	–	PC20
PC5	–	15	16	–	PC21
PC6	–	17	18	–	PC22
PC7	–	19	20	–	PC23
PC8	–	21	22	–	PC24
PC9	–	23	24	–	PC25
PC10	–	25	26	–	PC26
PC11	–	27	28	–	PC27
PC12	–	29	30	–	PC28
PC13	–	31	32	–	PC29
PC14	–	33	34	–	PC30
PC15	–	35	36	–	PC31
–	GND	37	38	GND	–
–	3V3	39	40	3V3	–

3.3.5.18 IO Expansion Port J3

Figure 3-53. IO Expansion Socket J3

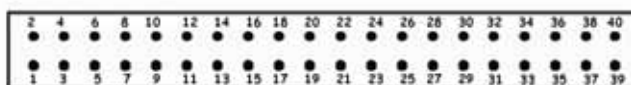
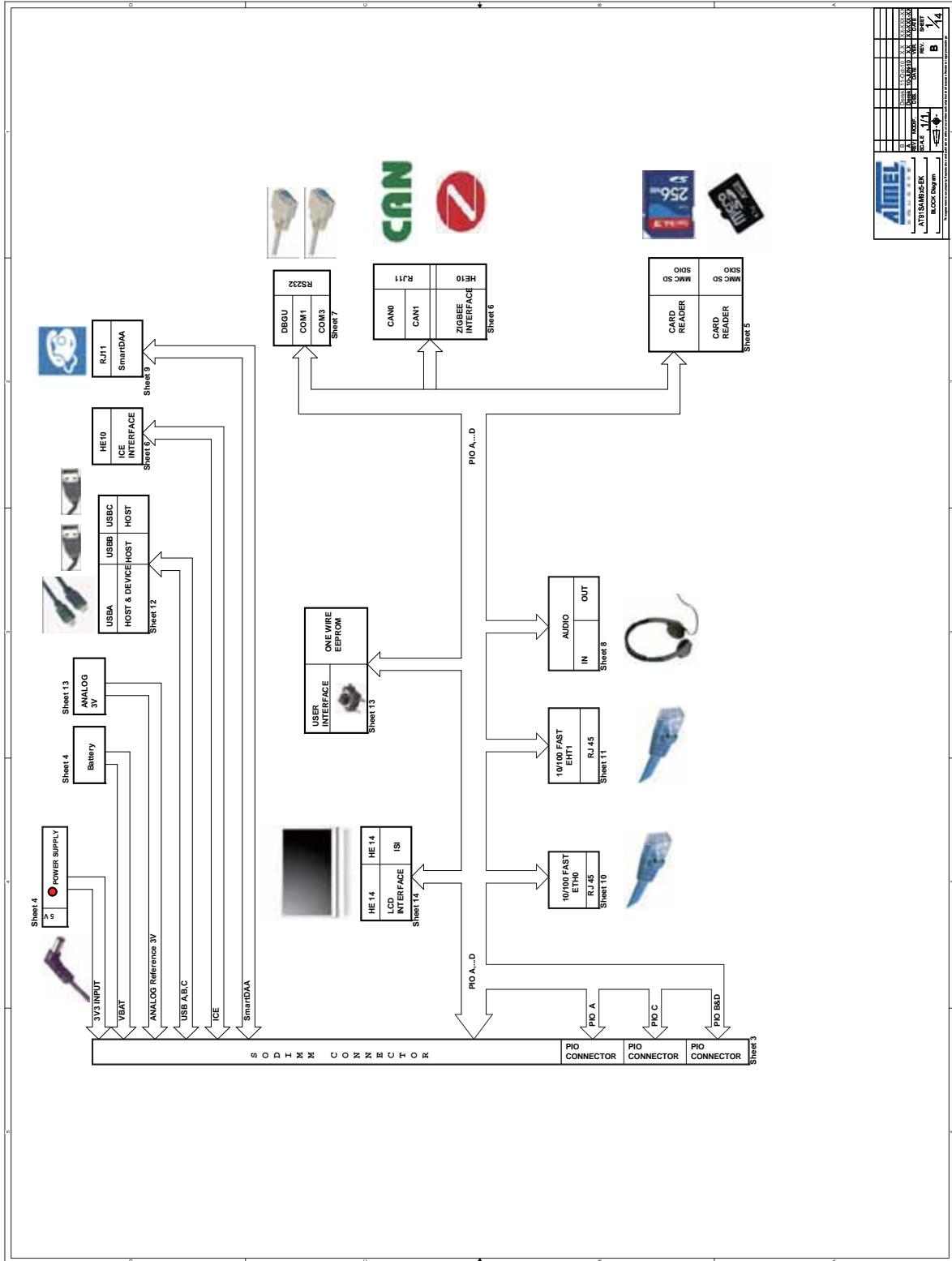


Table 3-38. Expansion Socket J1 Signal Descriptions

PIO	Power	Pin Num	Pin Num	Power	PIO
–	3V3, or 5V	1	2	3V3, or 5V	–
–	GND	3	4	GND	–
PB0	–	5	6	–	PB16
PB1	–	7	8	–	PB17
PB2	–	9	10	–	PB18
PB3	–	11	12	–	–
PB4	–	13	14	–	–
PB5	–	15	16	–	–
PB6	–	17	18	–	–
PB7	–	19	20	–	–
PB8	–	21	22	–	PD14
PB9	–	23	24	–	PD15
PB10	–	25	26	–	PD16
PB11	–	27	28	–	PD17
PB12	–	29	30	–	PD18
PB13	–	31	32	–	PD19
PB14	–	33	34	–	PD20
PB15	–	35	36	–	PD21
–	GND	37	38	GND	–
–	3V3	39	40	3V3	–

3.3.6 Schematics

Figure 3-54. EK Board Schematics



REVISION HISTORY

REV	DATE	NOTE
A	2010.07	ORIGINAL RELEASED
B	2010.10	SECOND RELEASED

JUMPER and SOLDERDROP

PAGE REFERENCE	DEFAULT	FUNCTION
3 JP1	1-2	3.3V/ or 5V selection for J1
3 JP2	1-2	3.3V/ or 5V selection for J2
3 JP3	1-2	3.3V/ or 5V selection for J3
4 JP4	OPEN	Default boot on embedded ROM, Close boot on external memory.
4 JP5	CLOSE	Backup supply on/off
5 JP6	CLOSE	Force power on function
5 JP7	CLOSE	MC11 write protect select
6 JP8	CLOSE	CAN0 diff termination select
7 JP9	OPEN	CAN0 diff termination select
7 JP10	CLOSE	ZigBee Power on/off select
7 JP11	CLOSE	DEBUG and CAN0 selection
10 JP12	CLOSE	MDX ON/OFF(ETH0)
11 JP13	CLOSE	MDX ON/OFF(ETH1)
13 JP14	1-2	ADVREF input selection

TEST POINT

PAGE	REFERENCE	FUNCTION
4	TP1, TP2	GND
4	TP3	5V
4	TP4	5V
4	TP5	VDDIO/PS
4	TP6	VDDIO/PS
4	TP7	VDDIO/PS

SCHEMATICS CONVENTIONS

(1) Resistance Unit, "K" is "Kohm", "R" is "Ohm"

(2) "DNP" means the component is not populated by default

SAM9x5 Config

ETH0	RMII	SAM9G15	SAM9G35	SAM9X25	SAM9G25	SAM9X35	SAM9G25	SAM9X25
USB		✓	✓	✓	✓	✓	✓	✓
HSIC0		✓	✓	✓	✓	✓	✓	✓
EBI		✓	✓	✓	✓	✓	✓	✓
DBGU		✓	✓	✓	✓	✓	✓	✓
Sub09		✓	✓	✓	✓	✓	✓	✓
Shared USART0		✓	✓	✓	✓	✓	✓	✓
Context		✓	✓	✓	✓	✓	✓	✓
ETH1	RMII	✓	✓	✓	✓	✓	✓	✓
RS232	USART0	✓	✓	✓	✓	✓	✓	✓
Audio	✓	✓	✓	✓	✓	✓	✓	✓
CAN0	Shared DBGU	✓	✓	✓	✓	✓	✓	✓
CAN1	✓	✓	✓	✓	✓	✓	✓	✓
ISI	✓	✓	✓	✓	✓	✓	✓	✓
RS232	USART3	✓	✓	✓	✓	✓	✓	✓
LCD	✓	✓	✓	✓	✓	✓	✓	✓
TSC	✓	✓	✓	✓	✓	✓	✓	✓
OTouch	✓	✓	✓	✓	✓	✓	✓	✓

DEFAULT NO POPULATE PARTS

PAGE	REFERENCE	FUNCTION
6	R52, R53, R55, R56, R57, R58, R60, R61, R62, R63, R64, R67, R68, R69	Optional ZigBee Optional Pull Up at EK BOARD Disconnect NRST signal Optional FDK and RTCK
10	R108	Optional clock input to TX_CLK(ETH0)
11	R159	Optional clock input to TX_CLK(ETH1)
3	R187	Optional for Circuit2
8	R164-R162	Optional clock input to WM8377(MAN10)

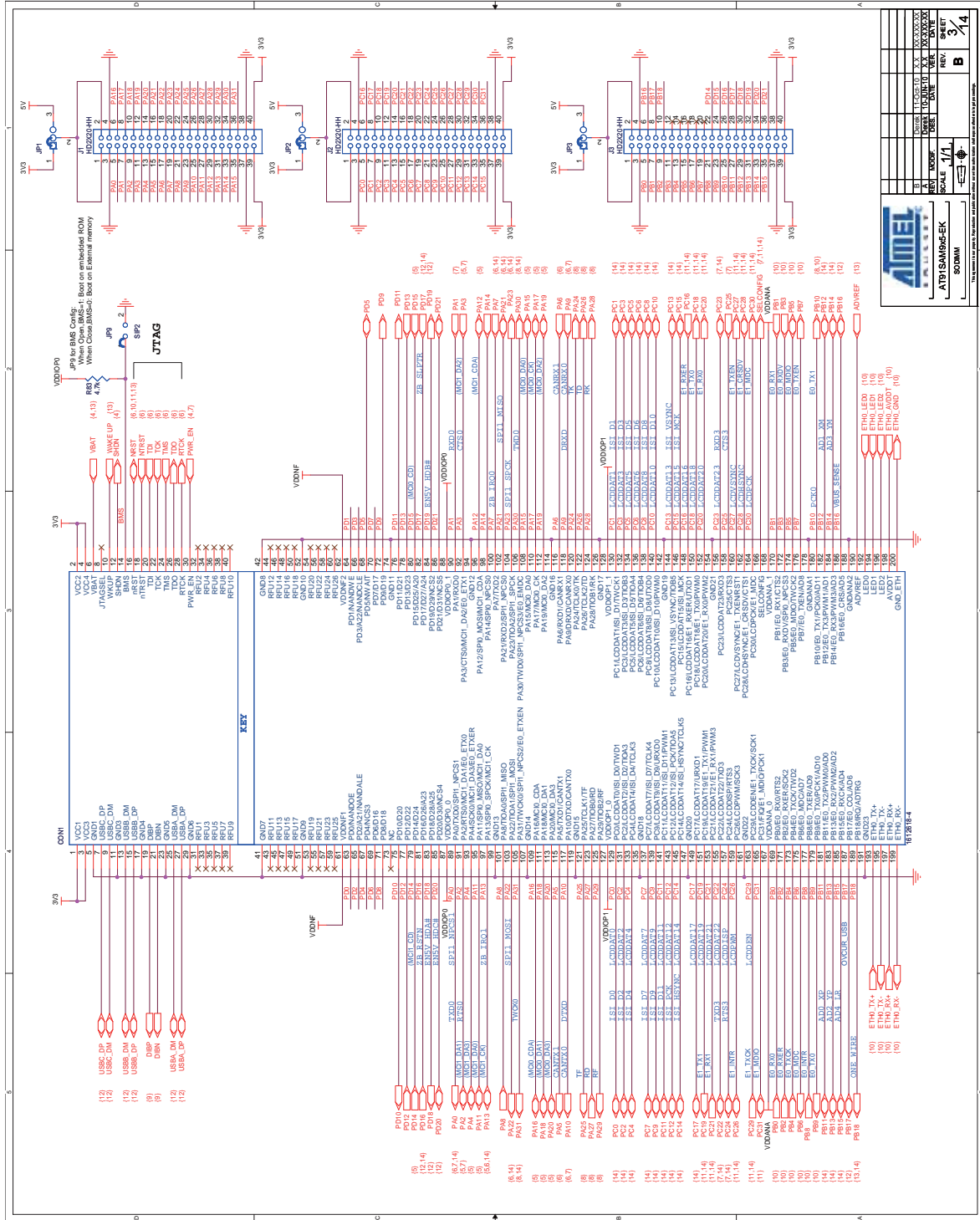
TABLE OF CONTENTS

PAGE	DESCRIPTION
1	Block Diagram
2	Describe
3	SODIMM
4	POWER SUPPLY
5	HSIC1
6	ZigBee,Can Interfaces, I2AG
7	USART0,USART3,Debug port
8	AUDIO
9	ETH0
10	ETH1
11	USB Interface
12	Miscellaneous
13	Miscellaneous
14	LCD/MSI

PIO MIXING

PIOA	USAGE	PIOA	USAGE	PIOB	USAGE	PIOC	USAGE	PIOD	USAGE				
PA0	TXD0	SPTL_NPCS0	PA16	MCIO_CDA	PB0	EO_RX0	PI0B	EO_RX0	PI0B	EO_RX0	PI0B	EO_RX0	
PA1	RXD0	MCIO_CK	PA17	MCIO_CK	PB1	EO_RX1	PB16	VBUS_SENSE	PI0C	LCDDAT0	ISL_D0	PI0D	ZB_RSTN
PA2	RTS0	MCIO_DA1	PA18	MCIO_DA1	PB2	EO_RX2	PB17	OVDRV_USB	PI0C	LCDDAT16	E1_RXER	PB1	ZB_SLPTR
PA3	CTS0	MCIO_DA2	PA19	MCIO_DA2	PB3	EO_RX3	PB18	ONE_WIRE	PI0C	LCDDAT17	E1_TX0	PD1	ENG_V_HDB#
PA4	CAN_TX1	MCIO_DA3	PA20	MCIO_DA3	PB4	ECL_TXCK			PI0C	LCDDAT18	E1_TX1	PD2	ENG_V_HDB#
PA5	CAN_RX1		PA21		PB5	ECL_TXCK			PI0C	LCDDAT19	E1_TX0	PD3	ENG_V_HDB#
PA6	INTXRT		PA22	SPTL_MISO	PB6	ECL_TXCK			PI0C	LCDDAT20	E1_TX1	PD4	ENG_V_HDB#
PA7	ZB_IRQ0		PA23	SPTL_MISO	PB7	ECL_TXCK			PI0C	LCDDAT21	E1_TX1	PD5	ENG_V_HDB#
PA8	CAN_RX2		PA24	SPTL_MISO	PB8	ECL_TXCK			PI0C	LCDDAT22	TXD3	PD6	
PA9	CAN_RX1		PA25	SPTL_MISO	PB9	ECL_TXCK			PI0C	LCDDAT23	TXD3	PD7	
PA10	CAN_RX1		PA26	SPTL_MISO	PB10	ECL_TXCK			PI0C	LCDDAT24	TXD3	PD8	
PA11	MCIO_DA0		PA27	SPTL_MISO	PB11	ECL_TXCK			PI0C	LCDDAT25	TXD3	PD9	
PA12	MCIO_DA0		PA28	SPTL_MISO	PB12	ECL_TXCK			PI0C	LCDDAT26	TXD3	PD10	
PA13	ZB_IRQ1	MCIO_CK	PA29	ADJ_XM	PB13	ADJ_YM			PI0C	LCDDAT27	TXD3	PD11	
PA14	MCIO_DA0		PA30	ADJ_YM	PB14	ADJ_YM			PI0C	LCDDAT28	TXD3	PD12	
PA15	MCIO_DA0		PA31	ADJ_YM	PB15	ADJ_YM			PI0C	LCDDAT29	TXD3	PD13	
									PI0C	LCDDAT30	TXD3	PD14	
									PI0C	LCDDAT31	TXD3	PD15	
									PI0C	LCDDAT32	TXD3	PD16	
									PI0C	LCDDAT33	TXD3	PD17	
									PI0C	LCDDAT34	TXD3	PD18	
									PI0C	LCDDAT35	TXD3	PD19	
									PI0C	LCDDAT36	TXD3	PD20	
									PI0C	LCDDAT37	TXD3	PD21	

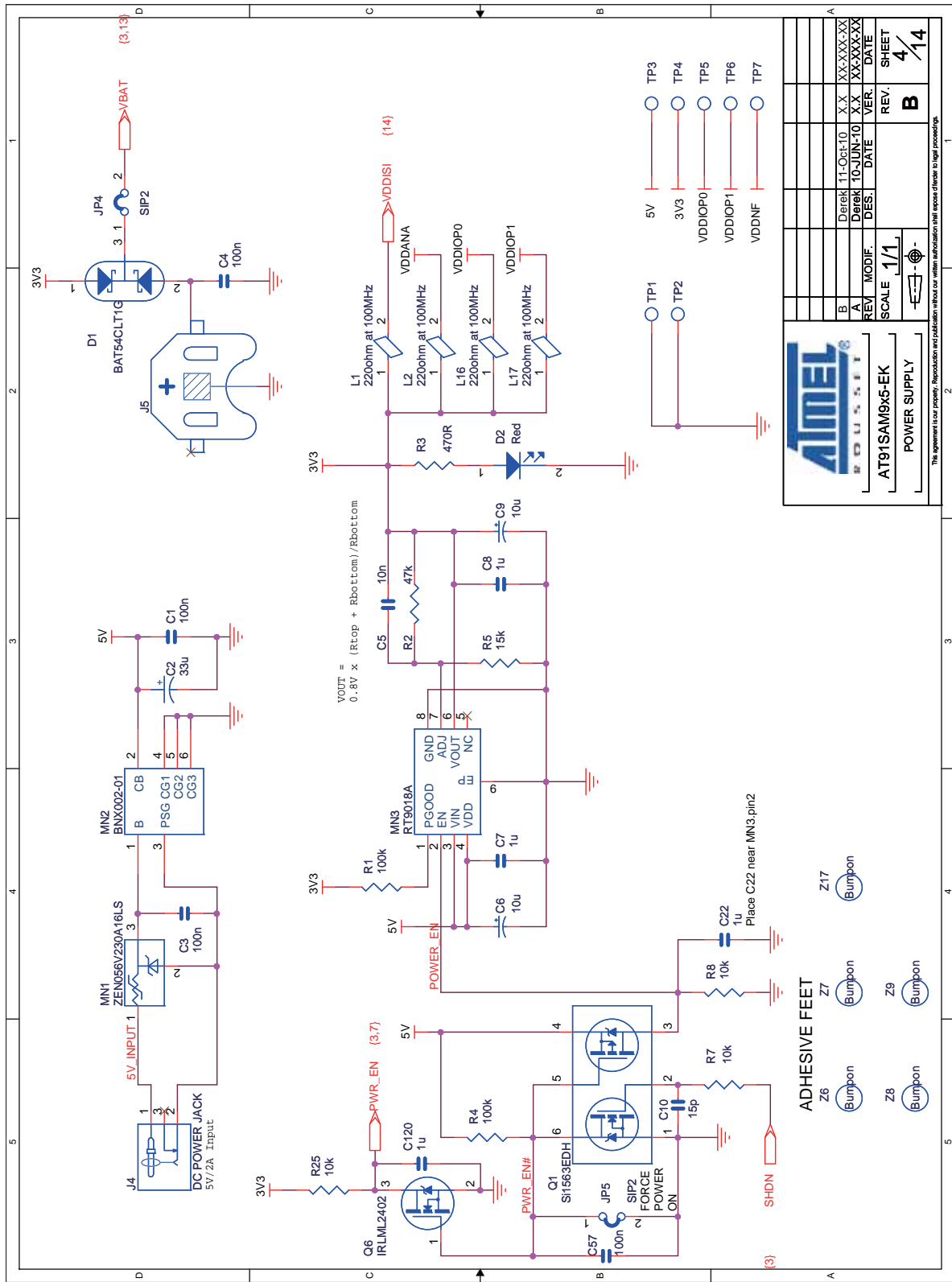
AT91SAM9G-EK
 1
 DEC30 11:30 AM
 REV: 1/4
 B



AT91SAM9S-EK
SOMM

SCALE: 1/1

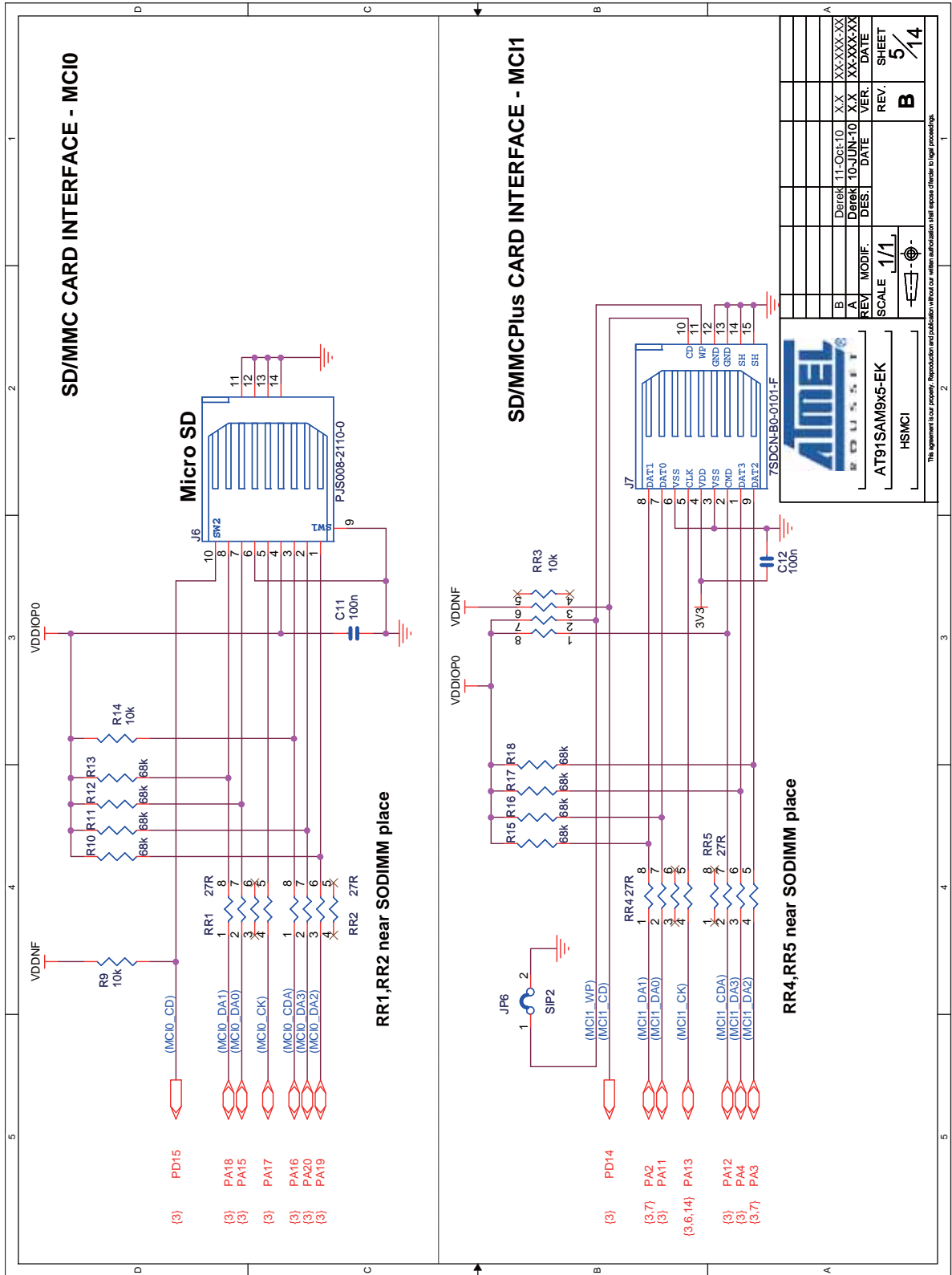
REV: 3/14

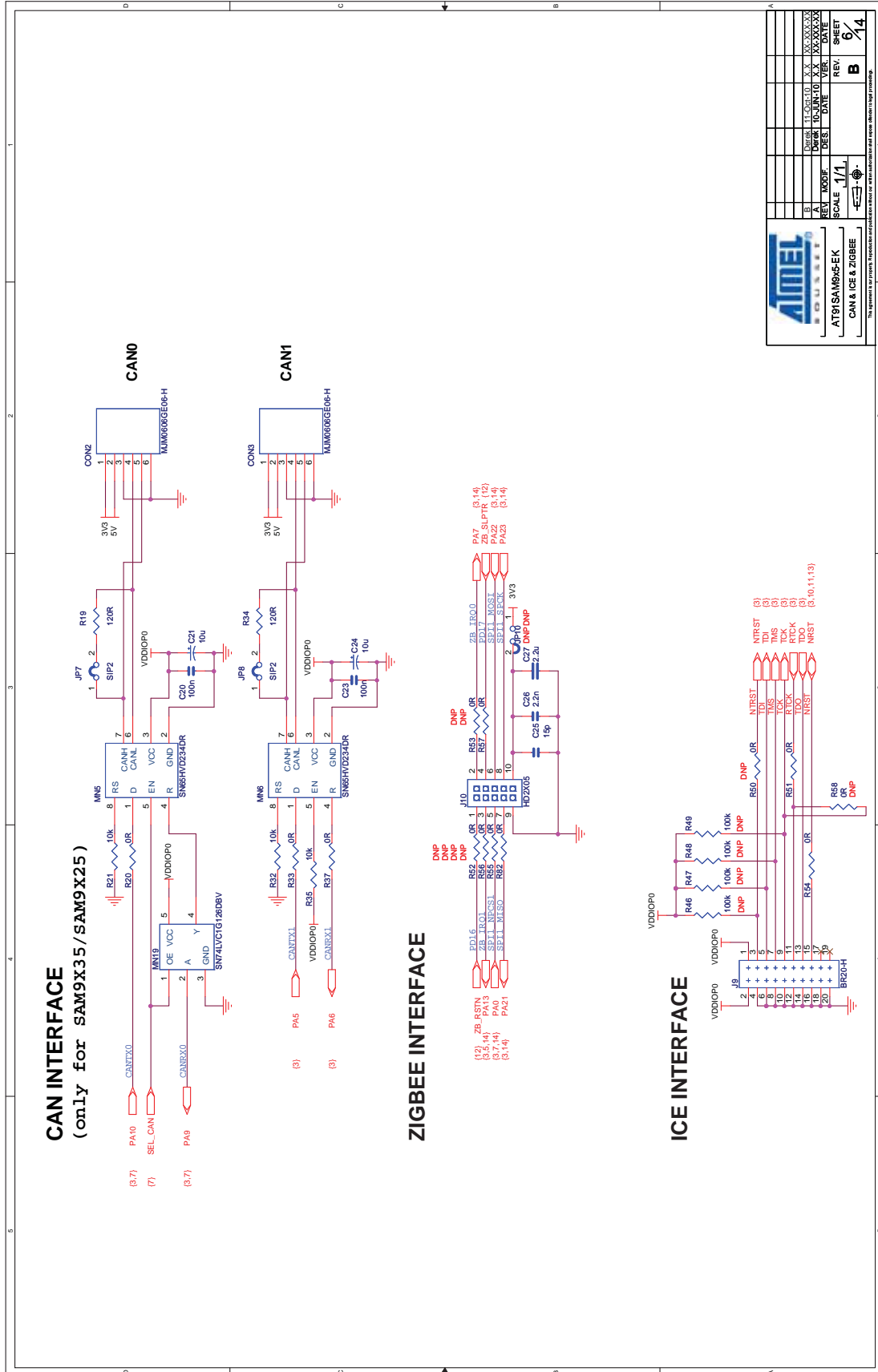


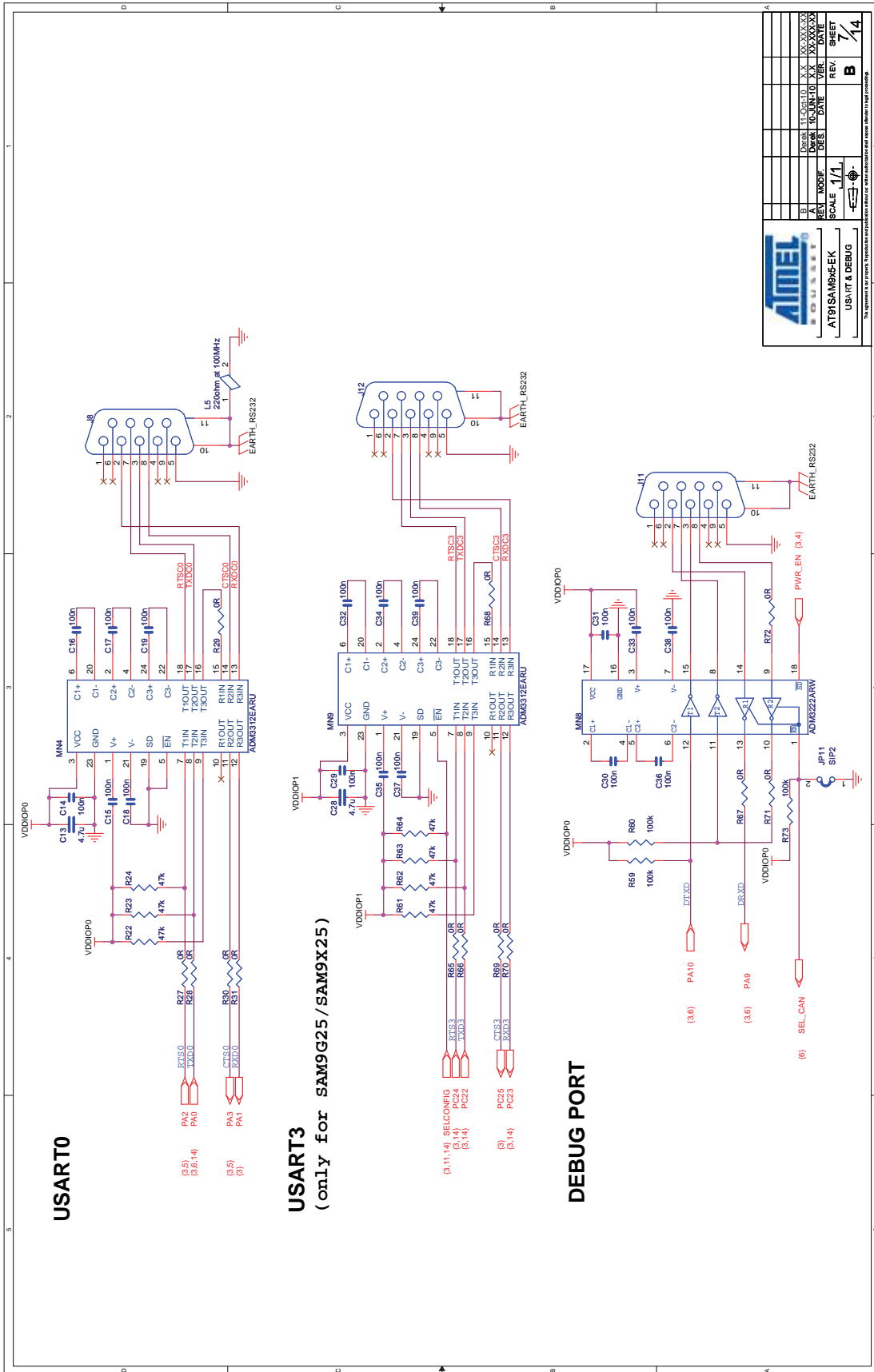
ATMEL		REV. 1/1		SCALE 1/1		POWER SUPPLY	
AT91SAM9X5-EK		REV. 1/1		SCALE 1/1		POWER SUPPLY	
Derak	11-Oct-10	XX	XX	XX	XX	XX	XX
Derak	10-JUN-10	XX	XX	XX	XX	XX	XX
DES.	DATE	VER.	DATE	REV.	DATE	REV.	DATE
						SHEET 4/14	

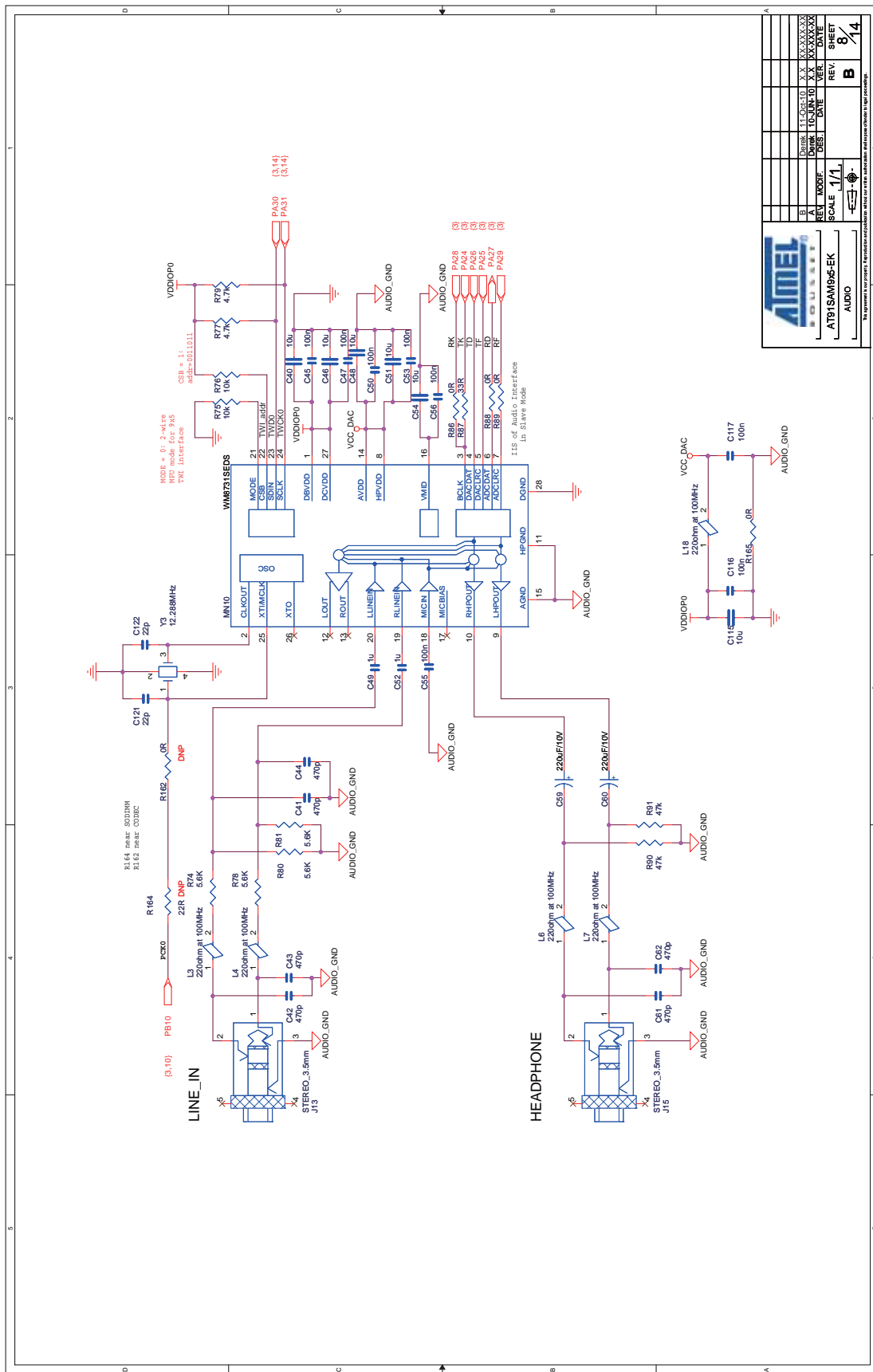
The agreement is our property. Reproduction and publication without our written authorization will expose offenders to legal proceedings.

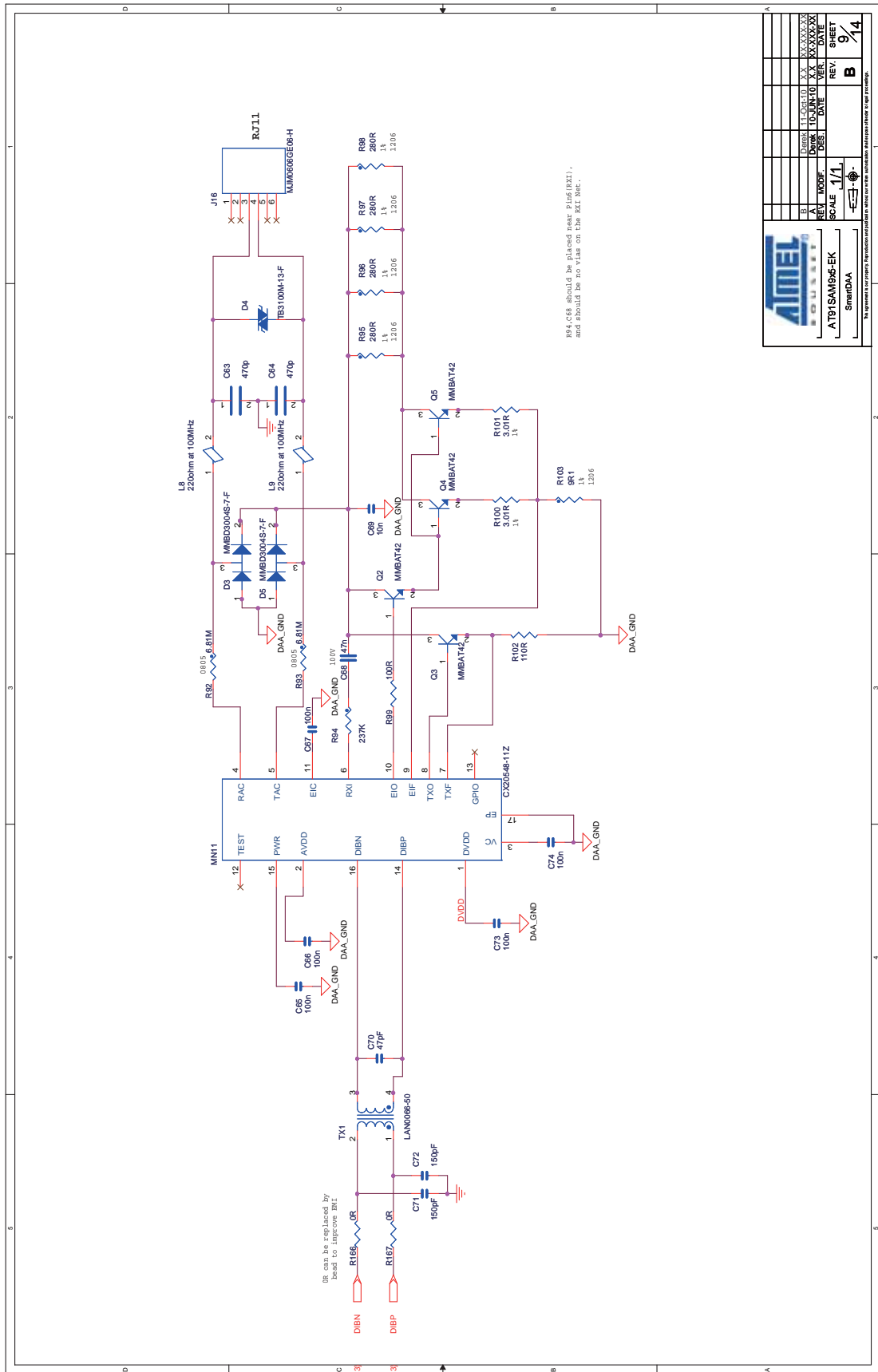






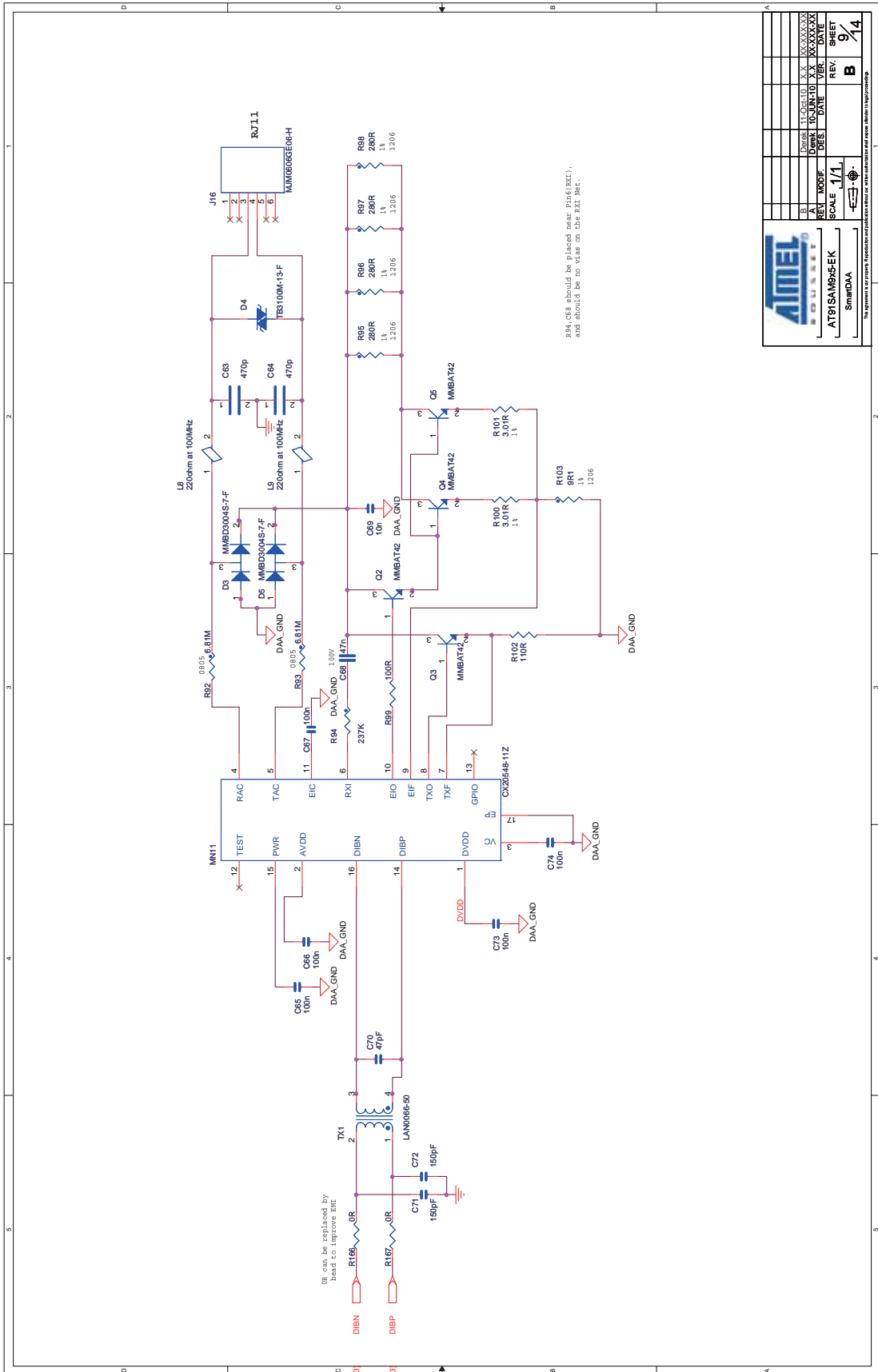






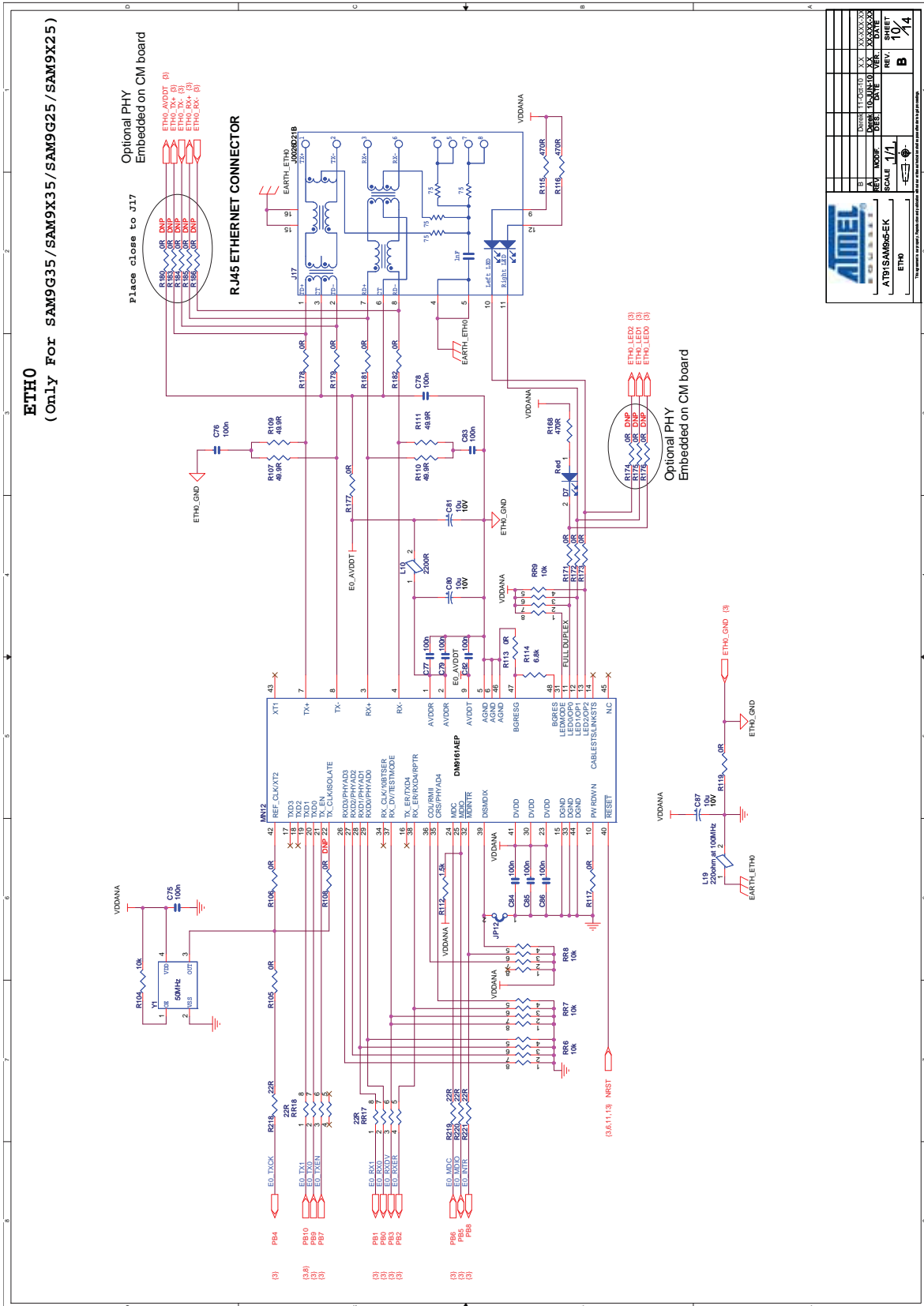
AT91SAM9G5-EK
SCALE: 1/1
SHEET: 9/14
REV: B

REV	DATE	BY	CHKD	APPV	DESCRIPTION
1	05/12/11
2
3
4
5
6
7
8
9
10
11
12
13
14



AT91SAM9G15-EK	
Sheet 9 / 14	
REV. 1/1	REV. B
DATE	DATE
DESIGNER	DESIGNER
CHECKER	CHECKER
DATE	DATE
DESIGNER	DESIGNER
CHECKER	CHECKER
DATE	DATE

The information on this document is for reference only. Atmel Corporation reserves the right to change the product specifications without notice.



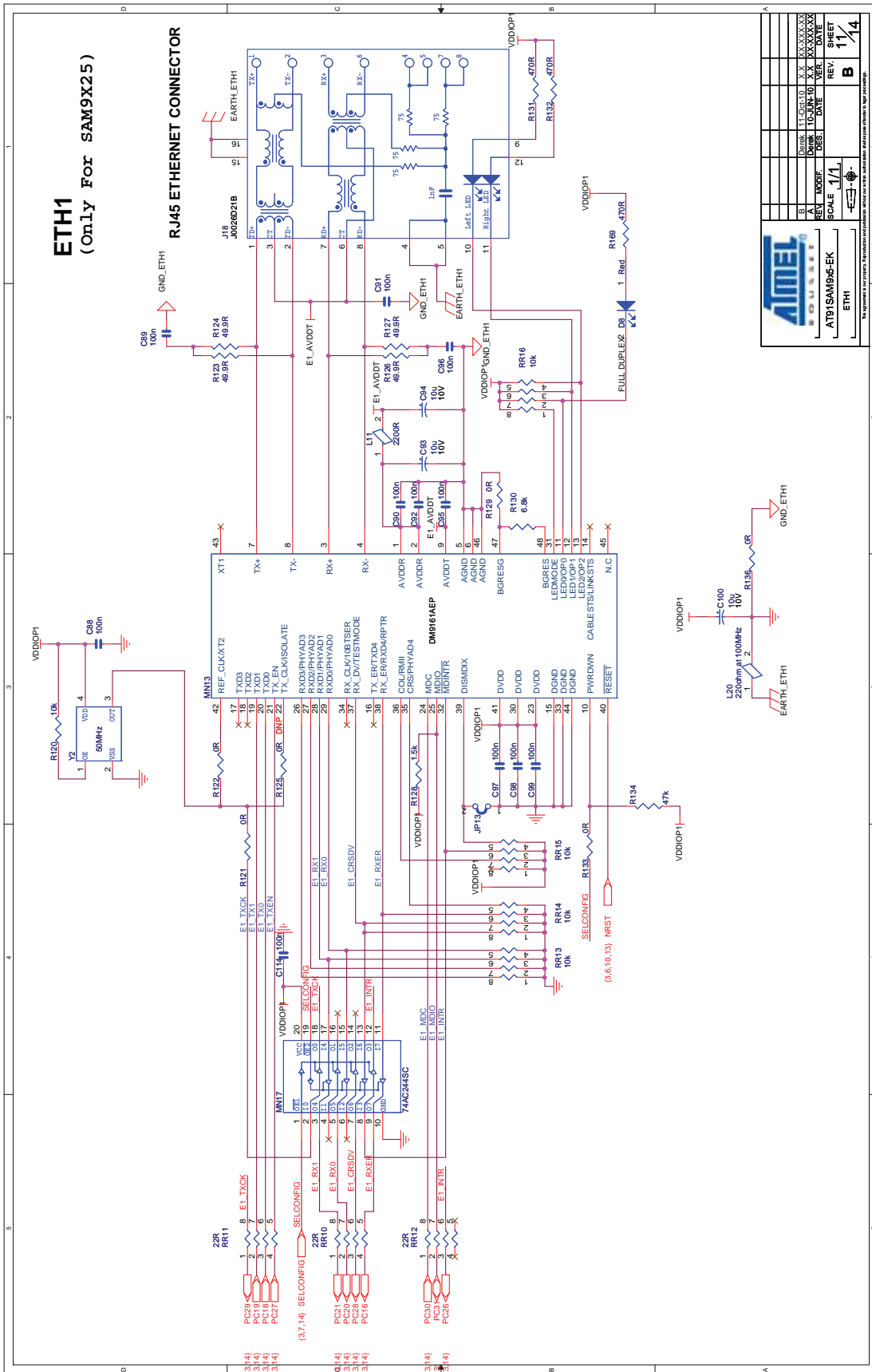
ATMEL
CORPORATION

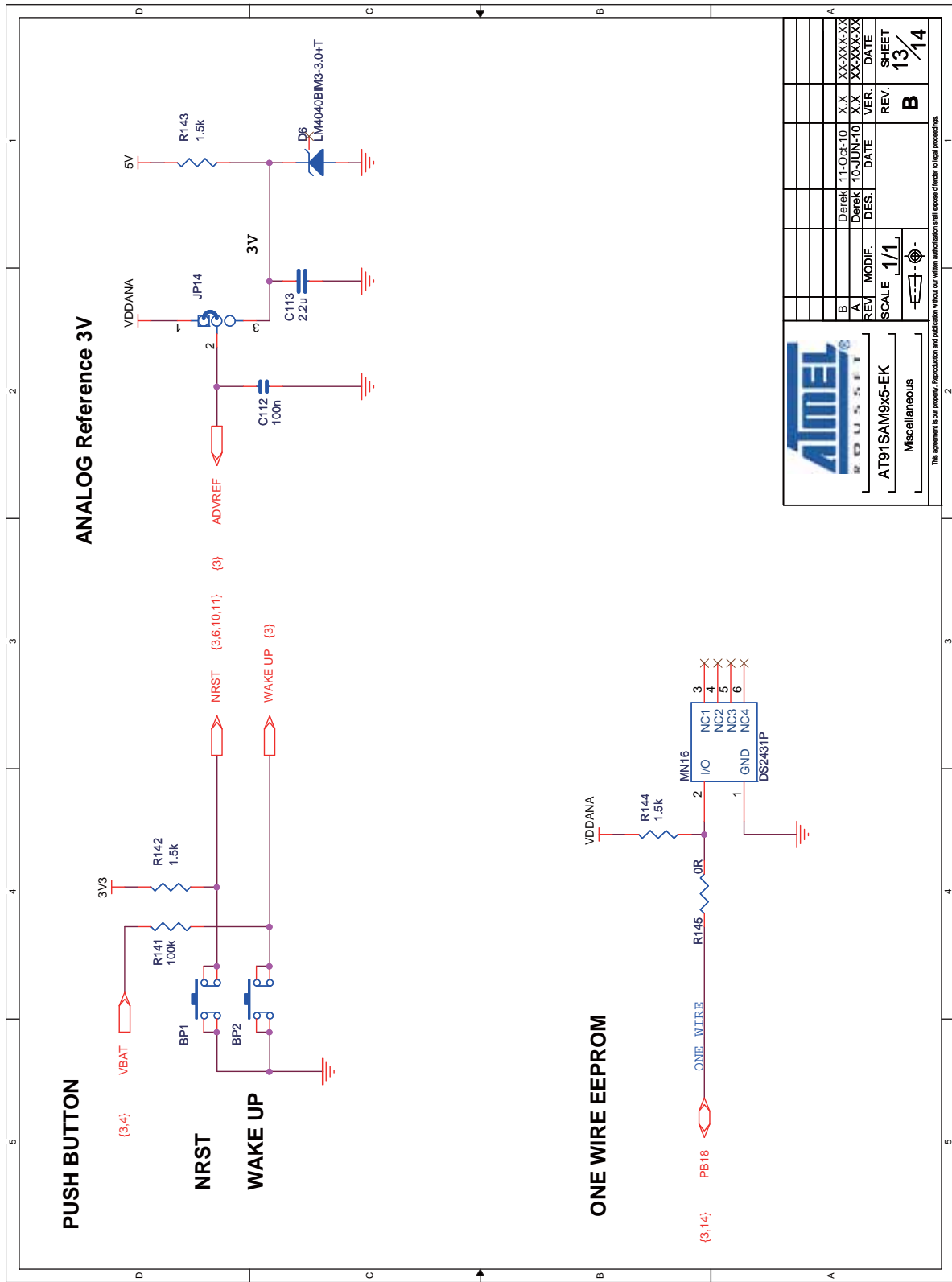
ATMEL SAM9G35-EK

SCALE: 1/1

REV: 10

SHEET 14





ANALOG Reference 3V

PUSH BUTTON

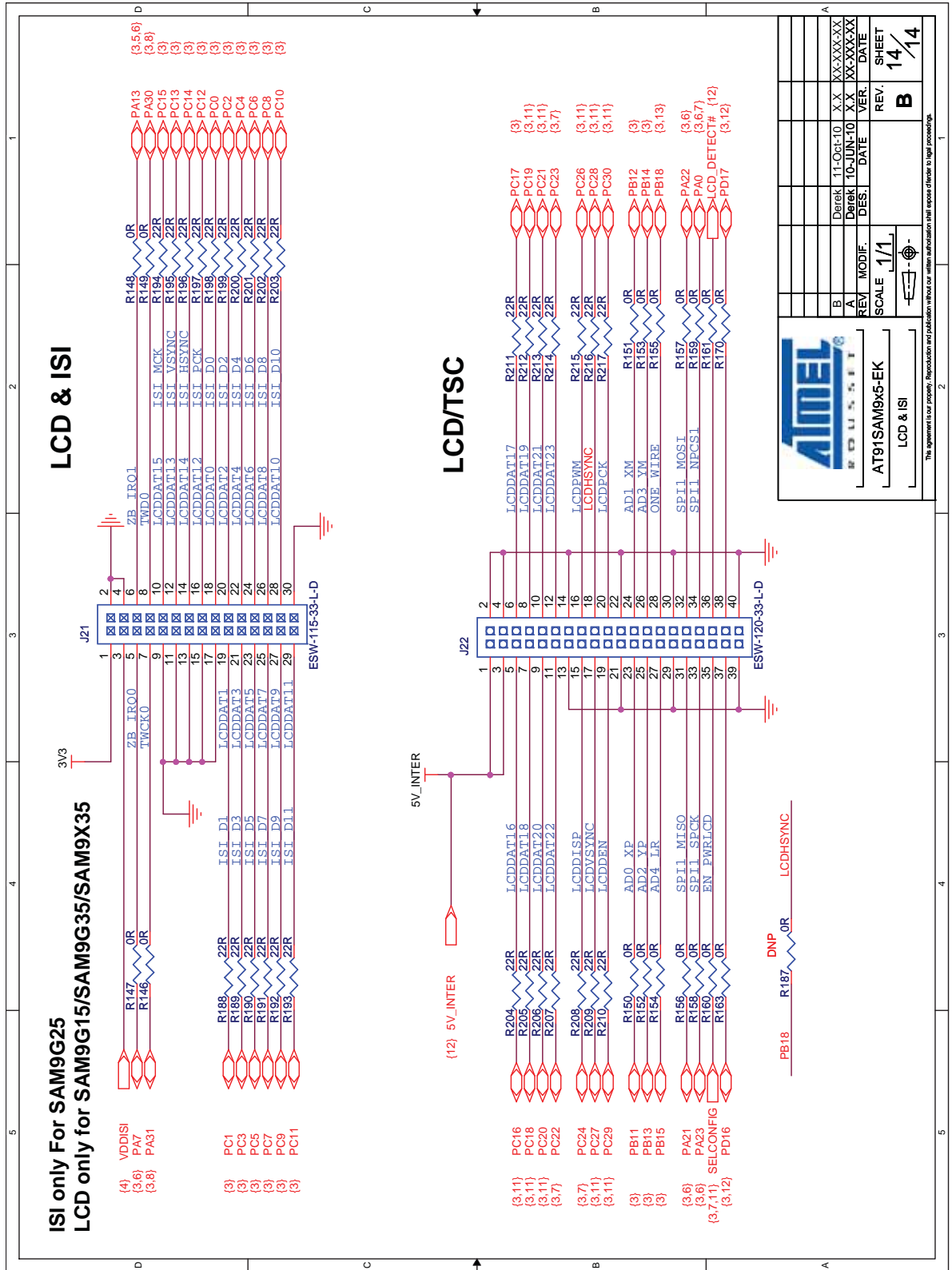
ONE WIRE EEPROM



AT91SAM9X5-EK
Miscellaneous

REV	MODIF.	DES.	DATE	REV.	SHEET
1/1				B	13/14

The agreement is our property. Reproduction and publication without our written authorization shall expose offenders to legal proceedings.



3.4 Optional Display Module (DM) Board Hardware

3.4.1 DM Board Overview

The optional DM board carries a 5.0" TFT LCD module with touch screen. The DM board also carries four QTouch pads.

Figure 3-55. DM Board Layout



3.4.2 Equipment List

The list of the DM board components follows:

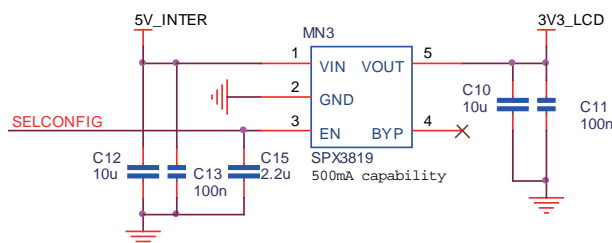
- One 5.0" TFT LCD module
- LCD Back light driver
- 3.3V regulator
- QTouch device
- 1-Wire device

3.4.3 Function Blocks

3.4.3.1 3.3V Regulator

The DM Board features its own LDO for local power regulation. It accepts DC 5V power from a 500 mA high-side power switch on the EK and outputs a regulated +3.3 V to most other circuits on the board.

Figure 3-56. DM Board Power Supply



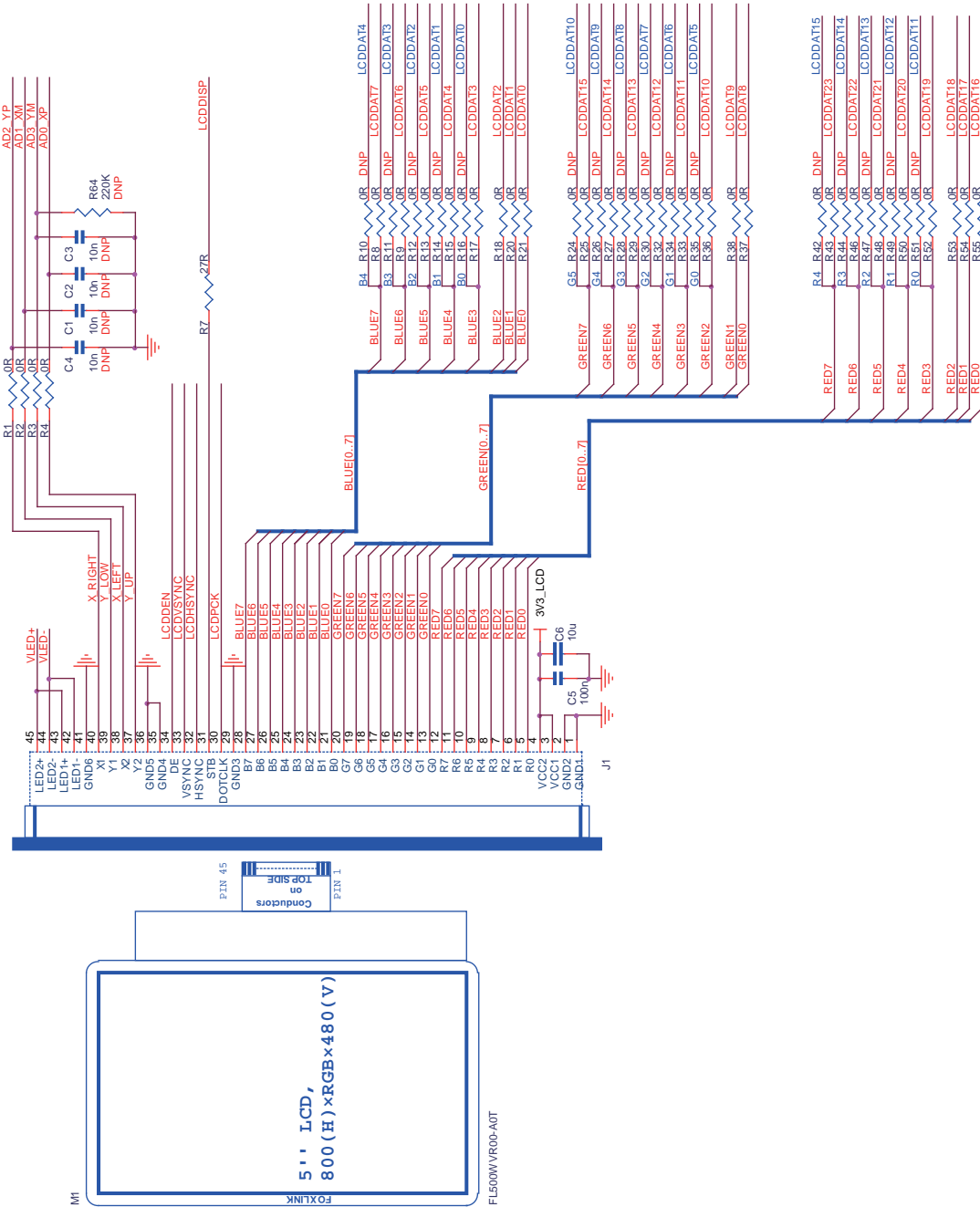
3.4.3.2 TFT LCD with Touch Panel

A 5" 800x480 LCD provides the DM with a low power display feature, back light unit and a touch panel, similar to that used on commercial PDAs.

Graphics and text can be displayed on the dot matrix panel with up to 16 million colors by supplying 24-bit data signals (8bit x RGB by default) or 16-bit data signals (5+6+5bit x RGB in option). This allows the user to develop graphical user interfaces for a wide variety of end applications.

Warning: Never connect/disconnect the LCD display from the board while the power supply is on. Doing so may damage both units.

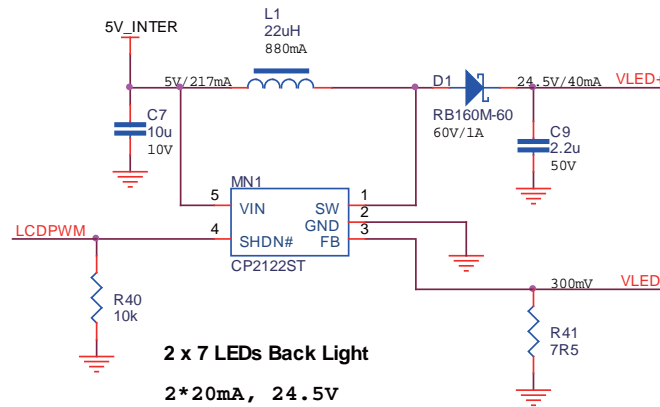
Figure 3-57. LCD with Touch Panel



3.4.3.3 Back Light

The back light voltage is generated from a CP2122ST boost converter. It is powered directly by the DC 5V from the EK board. The back light level is controlled by a PWM signal generated from the MPU Device processor.

Figure 3-58. Back Light Control

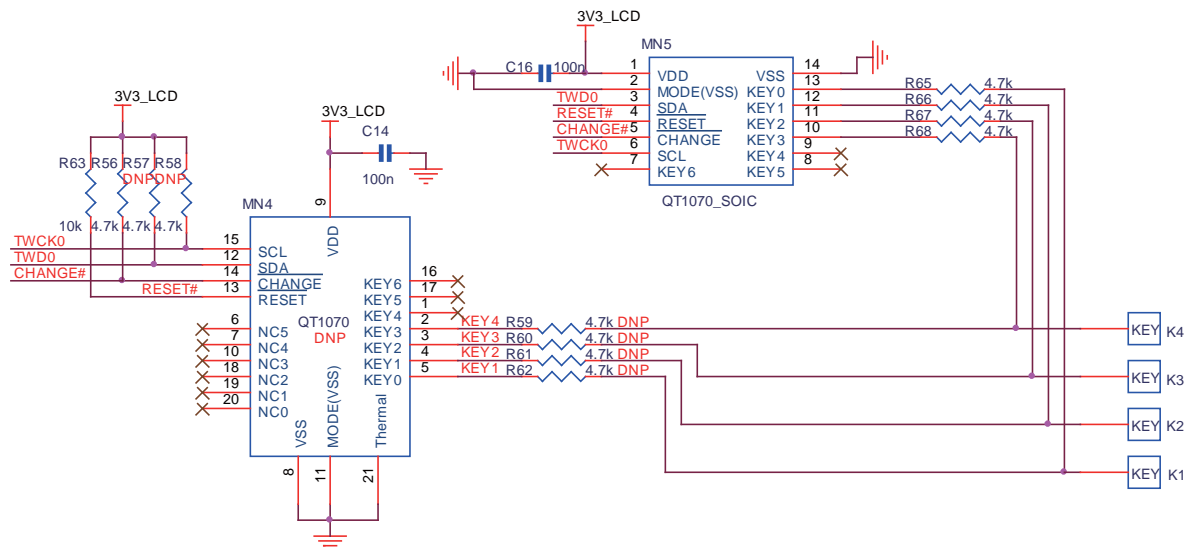


3.4.3.4 QTouch

The DM board carries a QTouch device piloted through a TWI interface. It manages four capacitive touch buttons directly printed on the PCB.

There are dual footprints for the QTouch device, and SOIC is the default mounted one.

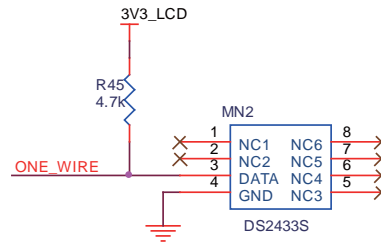
Figure 3-59. QTouch



3.4.3.5 1-Wire

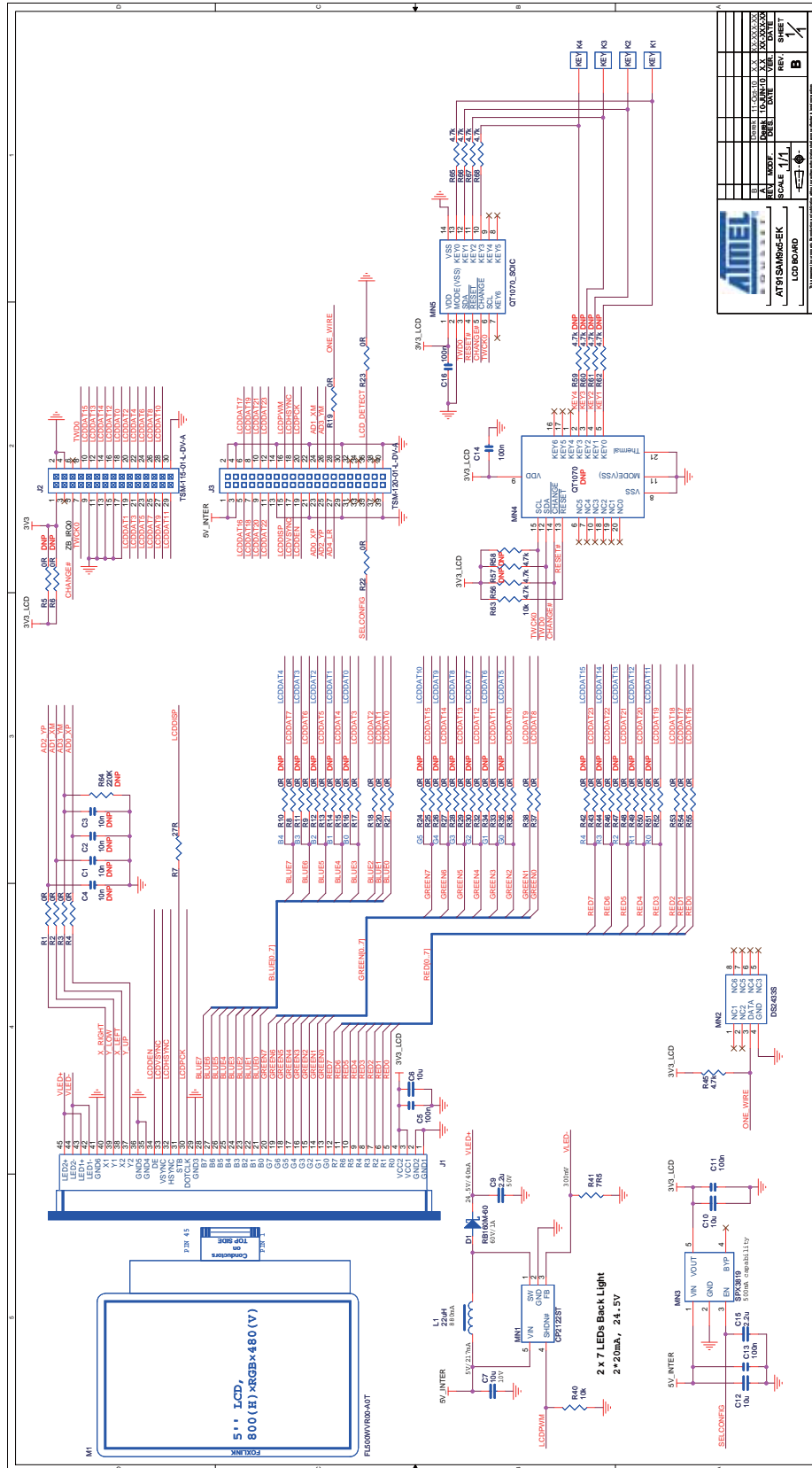
The DM board also uses a 1-Wire device as “firmware label” to store the information such as chip type, manufacturer’s name, production date etc.

Figure 3-60. 1-Wire on DM



3.4.4 Schematics

Figure 3-61. DM Board Schematics



4. Revision History

Table 4-1. Revision History

Document	Comments
11115B	Replaced all occurrences of “DataFlash” with “serial Flash”. Updated Section 2.1 “Power Up the Board” and Section 2.3 “Recovery Procedure” . Deleted section “DevStart”. Updated Table 3-7 “Boot Configuration” . Added Figure 3-10, “SW1A and SW1B Position on Embest Modules” . Updated Figure 3-14, “CM Board Schematics – 3 of 5” .
11115A	First issue.



Atmel® | Enabling Unlimited Possibilities®



Atmel Corporation 1600 Technology Drive, San Jose, CA 95110 USA T: (+1)(408) 441.0311 F: (+1)(408) 436.4200 | www.atmel.com

© 2016 Atmel Corporation. / Rev.: Atmel-11115B-ATARM-SAM9G15-SAM9G25-SAM9G35-SAMX25-SAM9X35-User-Guide_05-Feb-16.

Atmel®, Atmel logo and combinations thereof, Enabling Unlimited Possibilities®, and others are registered trademarks or trademarks of Atmel Corporation in U.S. and other countries. ARM®, ARM Connected® logo, and others are the registered trademarks or trademarks of ARM Ltd. Other terms and product names may be trademarks of others.

DISCLAIMER: The information in this document is provided in connection with Atmel products. No license, express or implied, by estoppel or otherwise, to any intellectual property right is granted by this document or in connection with the sale of Atmel products. EXCEPT AS SET FORTH IN THE ATMEL TERMS AND CONDITIONS OF SALES LOCATED ON THE ATMEL WEBSITE, ATMEL ASSUMES NO LIABILITY WHATSOEVER AND DISCLAIMS ANY EXPRESS, IMPLIED OR STATUTORY WARRANTY RELATING TO ITS PRODUCTS INCLUDING, BUT NOT LIMITED TO, THE IMPLIED WARRANTY OF MERCHANTABILITY, FITNESS FOR A PARTICULAR PURPOSE, OR NON-INFRINGEMENT. IN NO EVENT SHALL ATMEL BE LIABLE FOR ANY DIRECT, INDIRECT, CONSEQUENTIAL, PUNITIVE, SPECIAL OR INCIDENTAL DAMAGES (INCLUDING, WITHOUT LIMITATION, DAMAGES FOR LOSS AND PROFITS, BUSINESS INTERRUPTION, OR LOSS OF INFORMATION) ARISING OUT OF THE USE OR INABILITY TO USE THIS DOCUMENT, EVEN IF ATMEL HAS BEEN ADVISED OF THE POSSIBILITY OF SUCH DAMAGES. Atmel makes no representations or warranties with respect to the accuracy or completeness of the contents of this document and reserves the right to make changes to specifications and products descriptions at any time without notice. Atmel does not make any commitment to update the information contained herein. Unless specifically provided otherwise, Atmel products are not suitable for, and shall not be used in, automotive applications. Atmel products are not intended, authorized, or warranted for use as components in applications intended to support or sustain life.

SAFETY-CRITICAL, MILITARY, AND AUTOMOTIVE APPLICATIONS DISCLAIMER: Atmel products are not designed for and will not be used in connection with any applications where the failure of such products would reasonably be expected to result in significant personal injury or death ("Safety-Critical Applications") without an Atmel officer's specific written consent. Safety-Critical Applications include, without limitation, life support devices and systems, equipment or systems for the operation of nuclear facilities and weapons systems. Atmel products are not designed nor intended for use in military or aerospace applications or environments unless specifically designated by Atmel as military-grade. Atmel products are not designed nor intended for use in automotive applications unless specifically designated by Atmel as automotive-grade.