

Series **D xx S 24A 6 xx 09 LF**

Number of contacts  
09 , 15 , 25 , 37 , 50

**Contacts**  
S : Socket

**Plating**  
6 = 500 Mating / Unmating Mini

**Packaging specification**  
Tray

**See Note RoHS**

### Termination

| Code | Type             | Foot Print/Pitch | Length of termination | PCB thickness |
|------|------------------|------------------|-----------------------|---------------|
| 24A  | Straight version | 6 / 2.84mm       | 2                     | 1.6           |

### Mounting Options

|    |                       |
|----|-----------------------|
| RL | Insert M3             |
| RV | Female Screw UNC 4-40 |
| RX | Insert UNC 4-40       |

### NOTE RoHS INFORMATION

- The "LF" product meet european union Directives and other country regulations asdescribed in GS-22-008.
- The housing will whistand exposure to 260<sup>o</sup> peak temperature for 30 seconds in a convection , infra-red or vapor reflow oven. See application notes/procedures if are available.
- Termination plating spec:1.27 $\mu$  Nickel mini,2.5 to 7.5 $\mu$  Sn(pure mate)
- Shell plating : Nickel bright
- Accessories : Sn pure bright
- Packaging spec ; See GS-14-920

### Product Specification

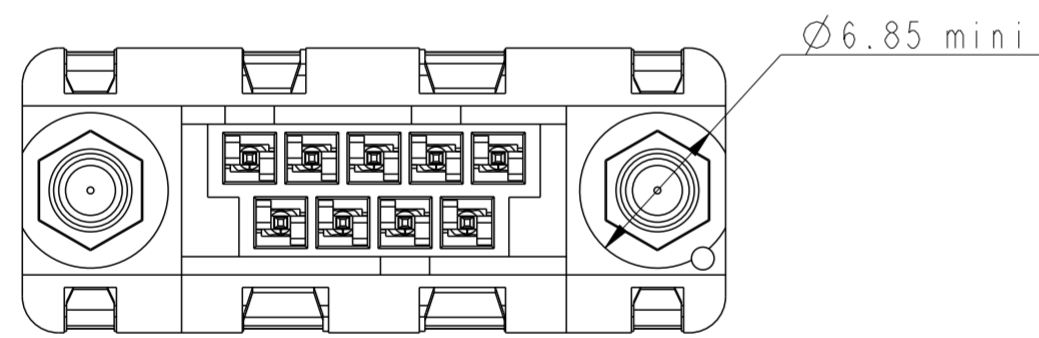
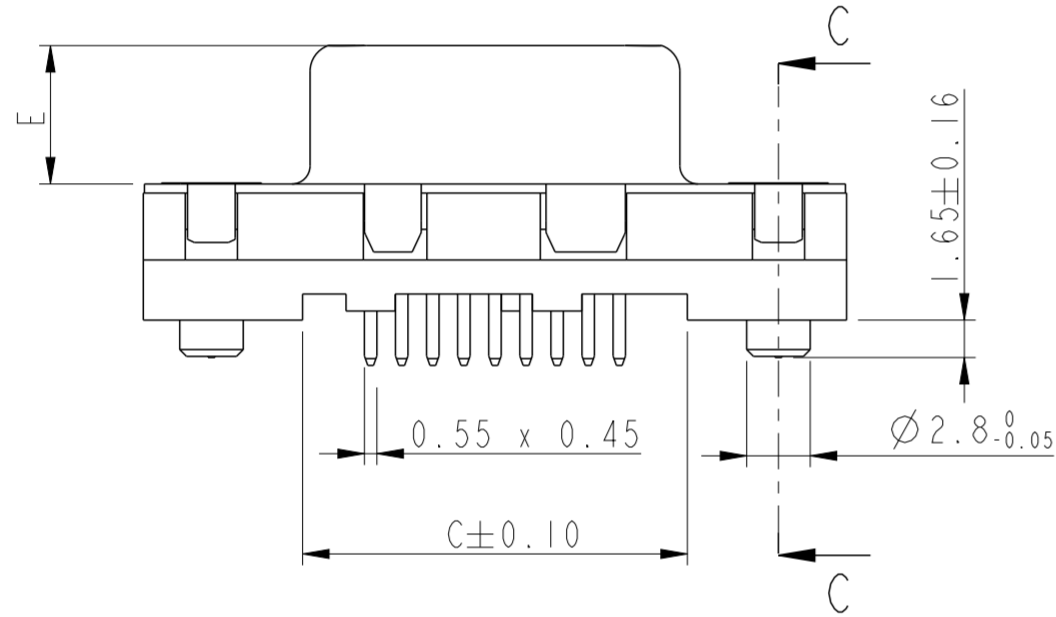
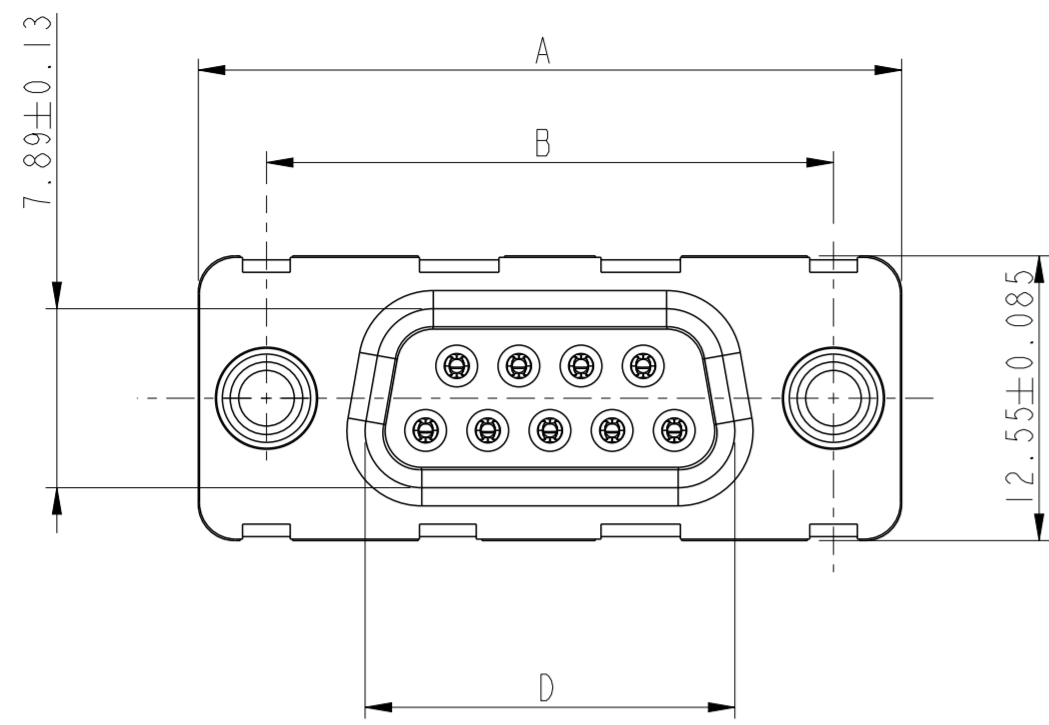
see : GS-12-372

### Packaging Specification

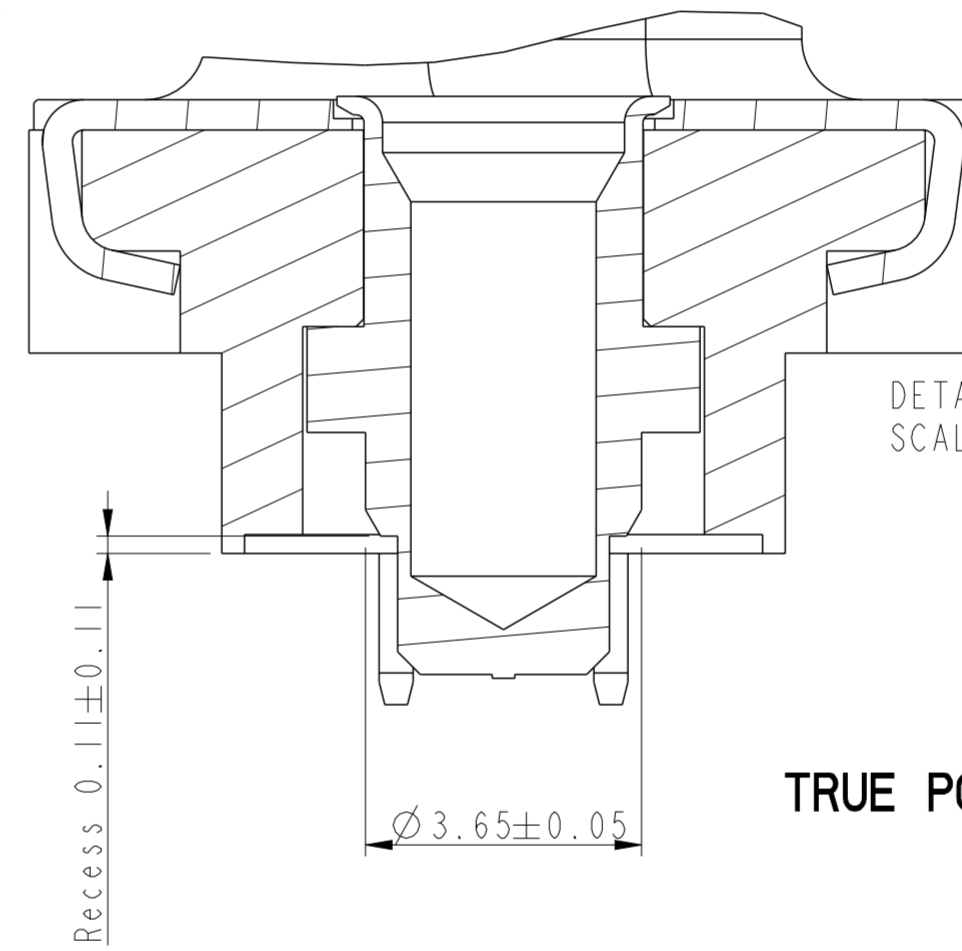
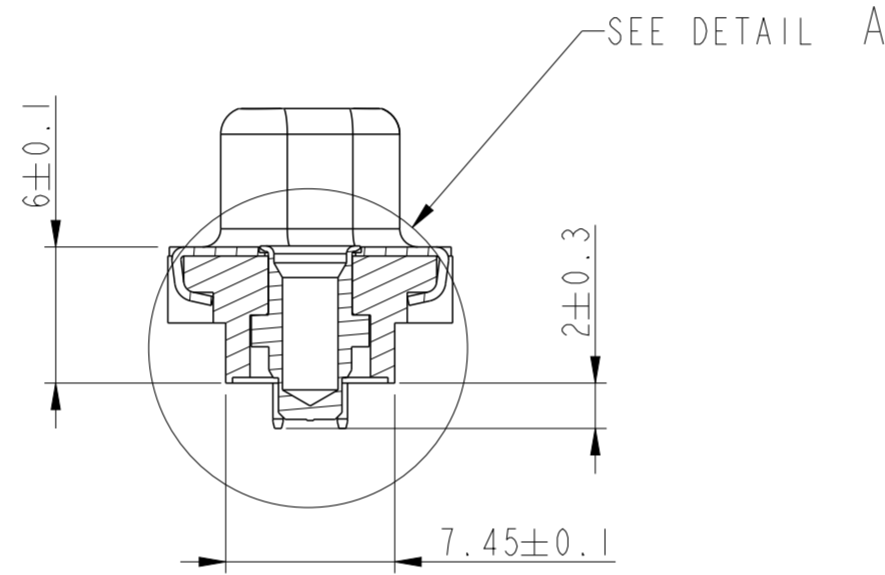
See GS-14-1061

|                                       |             |  |                                |                      |              |
|---------------------------------------|-------------|--|--------------------------------|----------------------|--------------|
| www.fciconnect.com                    |             | surface <input checked="" type="checkbox"/> ISO 1302 | tolerance std ISO 406 ISO 1101 | projection           | mm           |
| TOLERANCES UNLESS OTHERWISE SPECIFIED |             |  |                                |                      |              |
| Dr                                    | P. CRON     | 02/02/06   | ANGULAR                        | 0.X ±0.3             | size A3      |
| Eng                                   | H. LEGALLIC | 02/02/06   | LINEAR                         | 0.XX ±0.1            | Scale 1:1    |
| Chr                                   | NIRMAL G    | 2010-10-14   | 0° ±2°                         | 0.XXX ±0.05          | ECN 110-0197 |
| Appr                                  | SUDHIR V    | 2010-10-14   | Product family                 | -                    | Spec ref -   |
| FCi                                   |             | SUB DELTA D PIP FEMALE H=2                           |                                | dwg no C01-8646-0879 | Rev. H       |
| straight for tray                     |             | SEE TABLE  |                                | CUSTOMER             | sheet 1 of 3 |
| catalog no                            |             |  |                                |                      |              |

| rev | ecn no    | dr  | date       |
|-----|-----------|-----|------------|
| H   | 110-0197  | NG  | 2010-10-14 |
| -   | -         | -   | -          |
| -   | -         | -   | -          |
| D   | LS06.0220 | PCR | 2006/12/21 |
| E   | LS07-0007 | PCR | 2007/01/11 |
| F   | LS07-0050 | HLE | 2007/02/03 |
| G   | 110-0120  | NG  | 2010-05-27 |



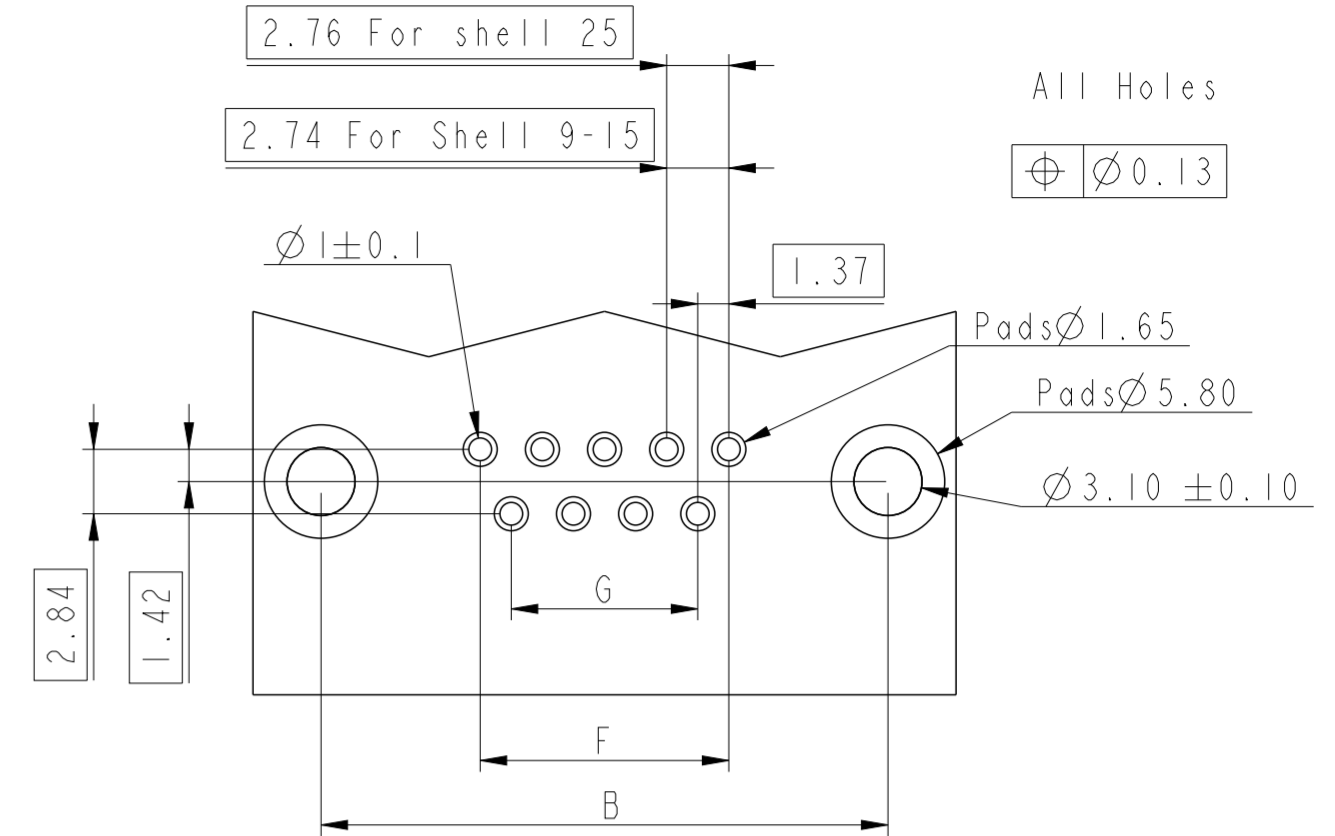
SECTION C-C



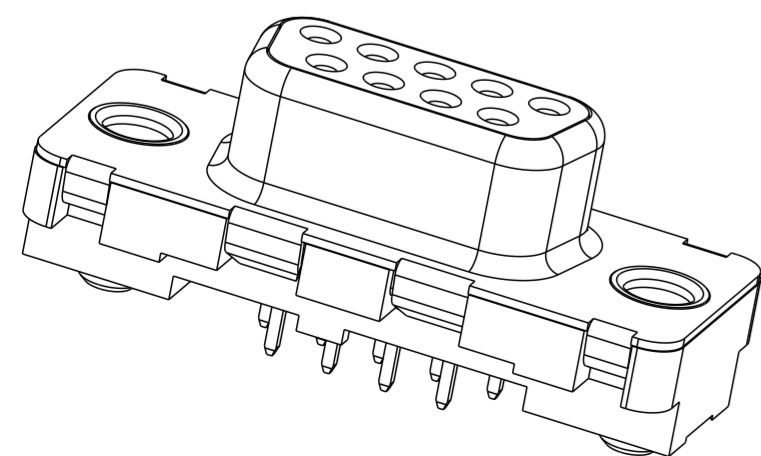
DETAIL A  
SCALE 10:1

TRUE POSITIONING :  $\oplus \text{ } \ominus \text{ } \phi 0.36$

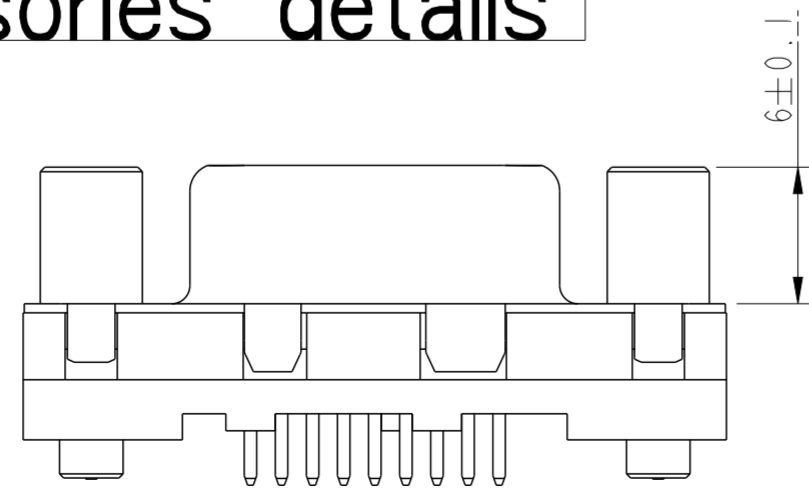
PCB Card Drilling dimensions and Pads recommended  
(after plating - Thickness : 1.60 mm)



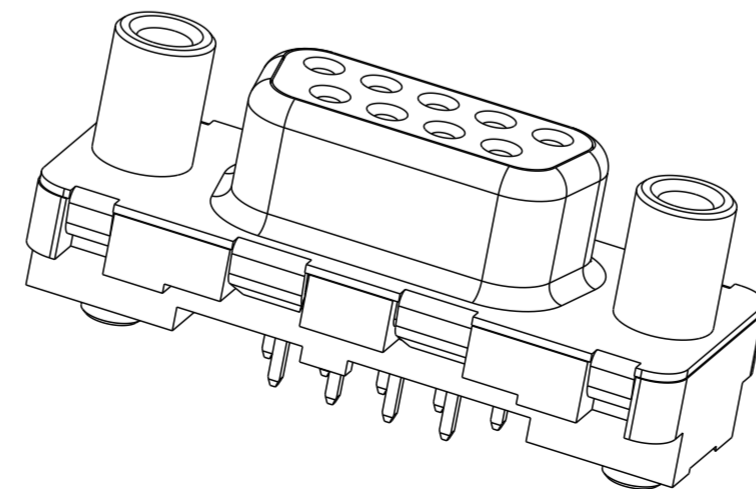
Accessories details



TYPE RX / RL



TYPE RV



| SHELL | P/N<br>LEAD FREE | A<br>±0.38 | B<br>±0.10 | C<br>±0.10 | D<br>+0.25<br>0 | F     | G     |
|-------|------------------|------------|------------|------------|-----------------|-------|-------|
| 09    | D09S24A6xx09LF   | 30.81      | 24.99      | 16.96      | 16.21           | 10.96 | 8.22  |
| 15    | D15S24A6xx09LF   | 39.14      | 33.32      | 25.18      | 24.54           | 19.18 | 16.44 |
| 25    | D25S24A6xx09LF   | 53.03      | 47.04      | 39.12      | 38.25           | 33.12 | 30.36 |
| 37    | D37S24A6xx09LF   | 69.32      | 63.50      | 55.68      | 54.71           | 49.68 | 46.92 |

|                                       |            |  |                                |                                      |           |
|---------------------------------------|------------|--|--------------------------------|--------------------------------------|-----------|
| www.fciconnect.com                    |            | surface <input checked="" type="checkbox"/> ISO 1302 | tolerance std ISO 406 ISO 1101 | projection $\oplus \text{ } \ominus$ | mm        |
| TOLERANCES UNLESS OTHERWISE SPECIFIED |            |  |                                |                                      |           |
| Dr P. CRON                            | 02/02/06   | ANGULAR  | 0.x ±0.3                       | size A2                              | Scale 1:1 |
| Eng H. LEGALLIC                       | 02/02/06   | LINEAR   | 0.xx ±0.1                      | ECN 110-0197                         | Rev. H    |
| Chr NIRMAL G                          | 2010-10-14 | 0° ±2°   | 0.xxx ±0.05                    | Spec ref                             |           |
| Appr SUDHIR V                         | 2010-10-14 | Product family                                       |                                |                                      |           |
| FCJ                                   |            | SUB DELTA D PIP FEMALE H=2                           |                                | C01-8646-0879                        |           |
| straight for tray                     |            | SEE TABLE  |                                | CUSTOMER sheet 2 of 3                |           |
| catalog no                            |            |  |                                |                                      |           |

1

2

3

4

A

B

C

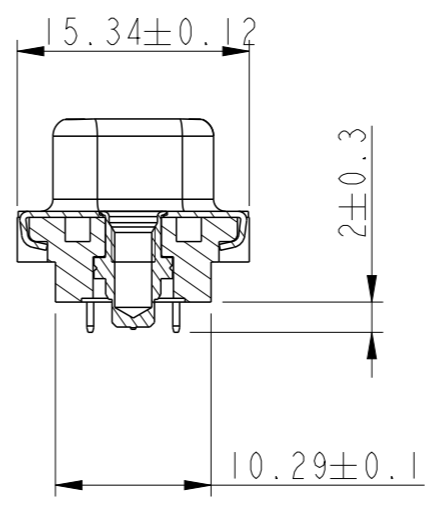
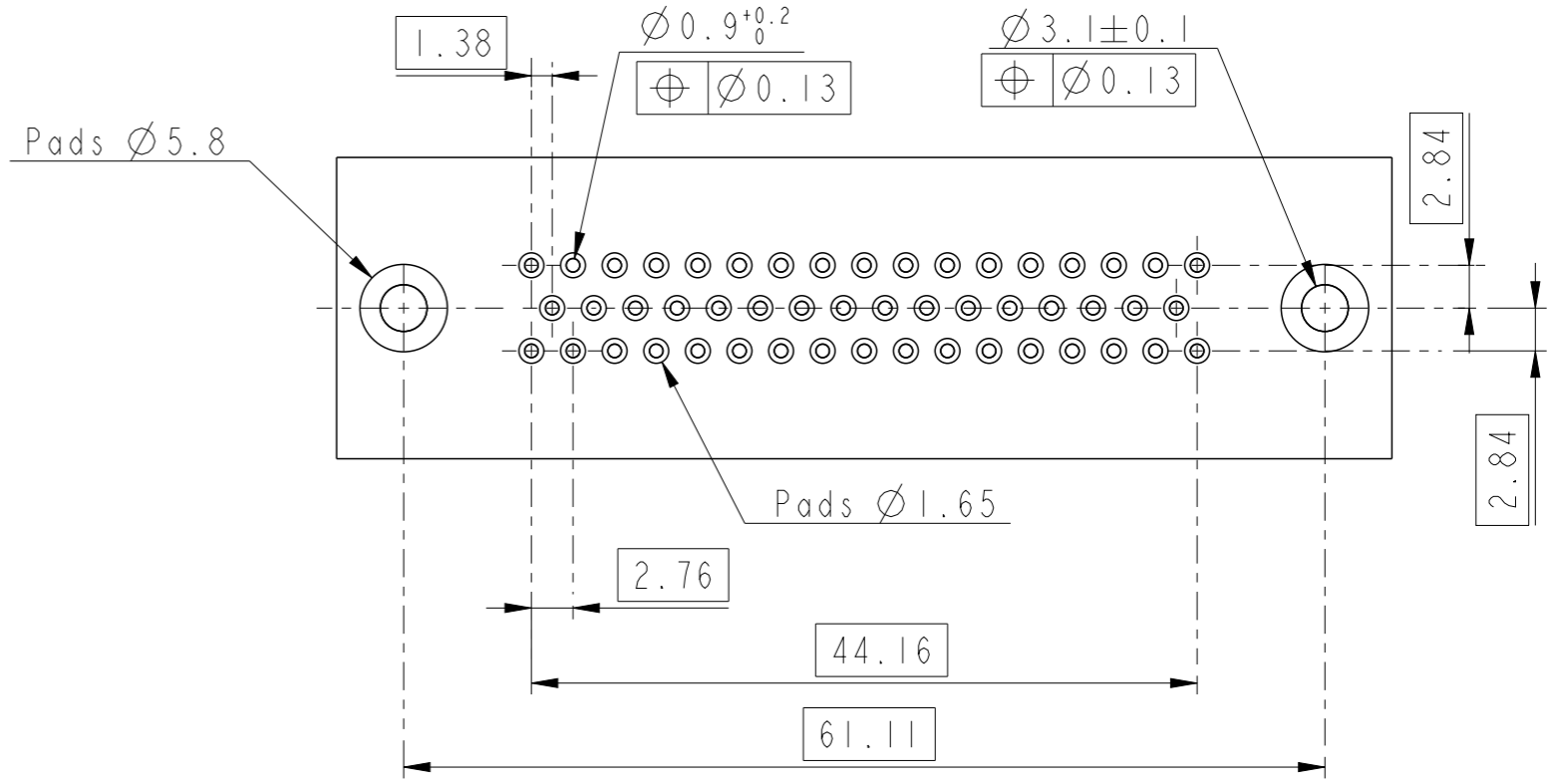
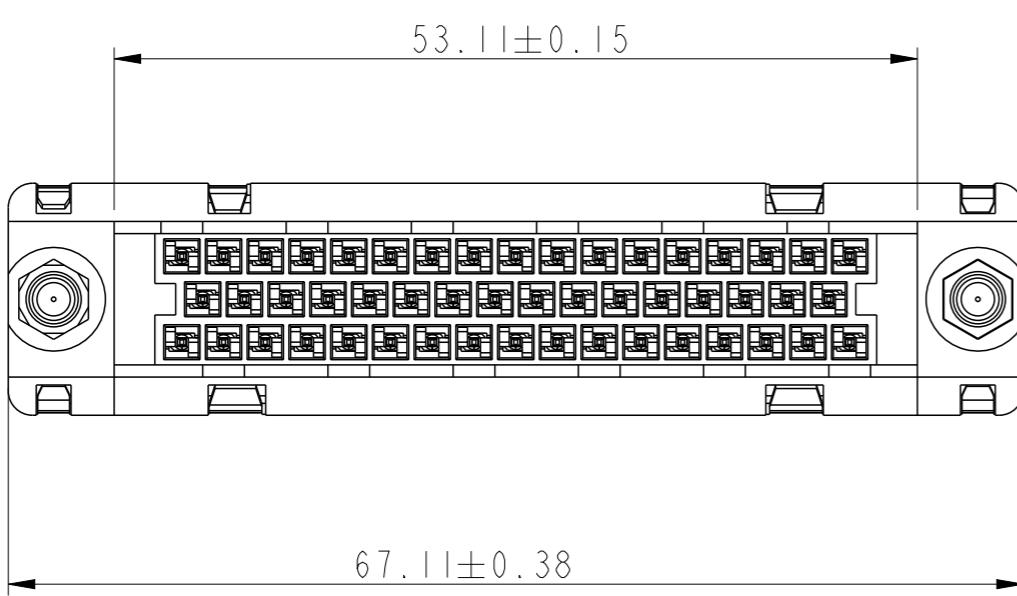
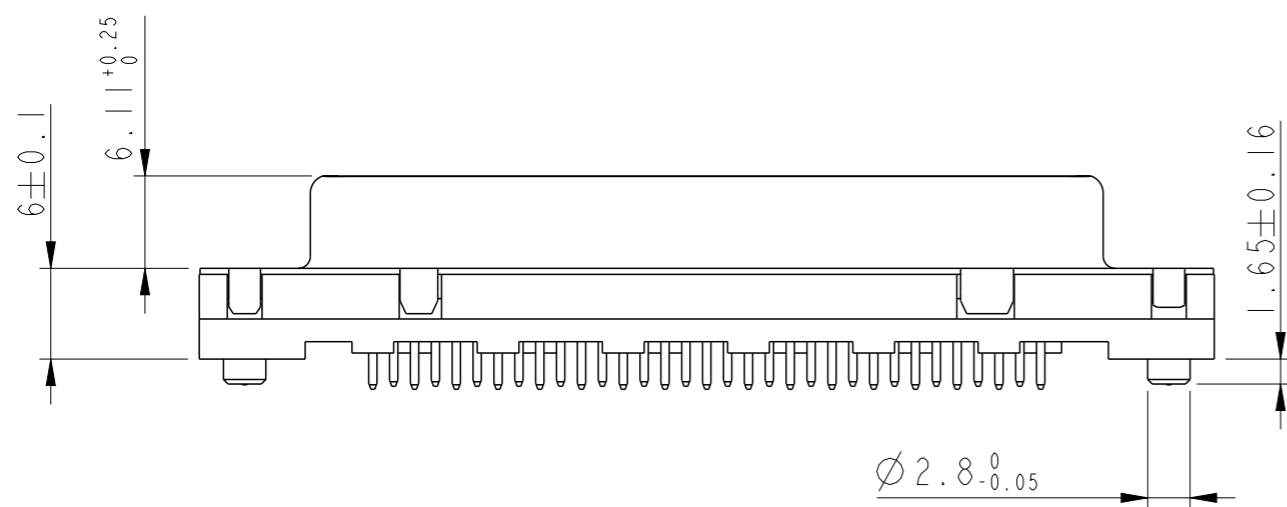
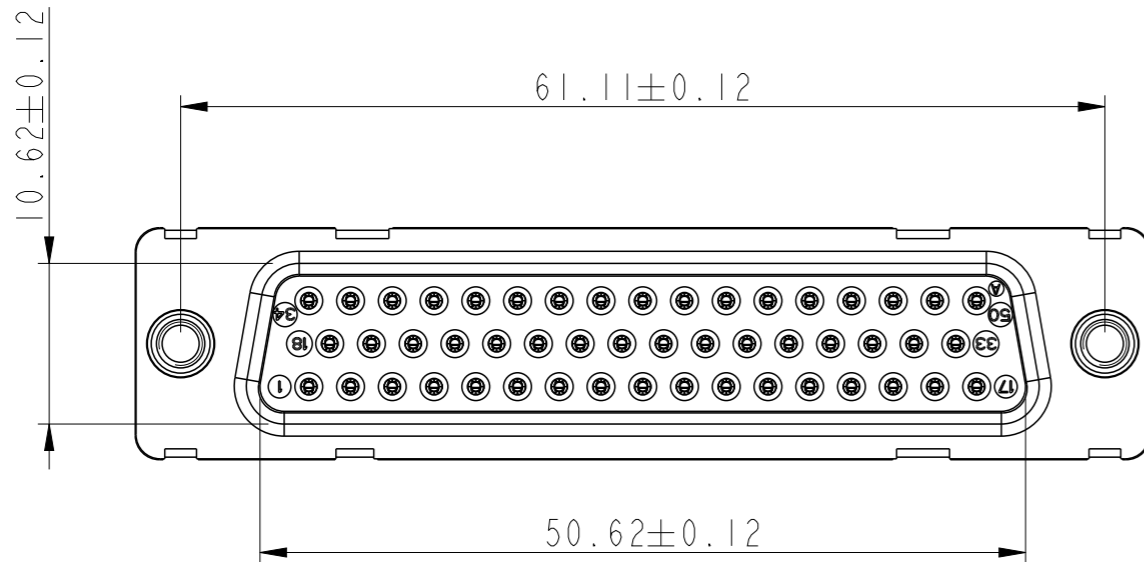
D

A

B

C

D



P/N LEAD FREE  
D50S24A6xx09LF

SECTION A-A

FOR xx SEE SHEET 1



Copyright FCI.

|                                       |             |   |                                   |                      |              |
|---------------------------------------|-------------|---|-----------------------------------|----------------------|--------------|
| www.fciconnect.com                    |             | surface - ✓<br>ISO 1302                         | tolerance std<br>ISO 406 ISO 1101 | projection<br>⊕-⊖    | mm<br>↔      |
| TOLERANCES UNLESS OTHERWISE SPECIFIED |             |   |                                   |                      |              |
| Dr                                    | P. CRON     | 02/02/06  | ANGULAR                           | 0.X ±0.3             | size A3      |
| Eng                                   | H. LEGALLIC | 02/02/06  | LINEAR                            | 0.XX ±0.1            | Scale 1:1    |
| Chr                                   | NIRMAL G    | 2010-10-14                                      | 0° ±2°                            | 0.XXX ±0.05          | ECN 110-0197 |
| Appr                                  | SUDHIR V    | 2010-10-14                                      | Product family                    | -                    | Spec ref -   |
| FCI                                   |             | SUB DELTA D PIP FEMALE H=2<br>straight for tray |                                   | dwg no C01-8646-0879 | Rev. H       |
| catalog no                            |             | SEE TABLE                                       |                                   | CUSTOMER             | sheet 3 of 3 |

REV F - 2006-04-17

1

2

3

4