

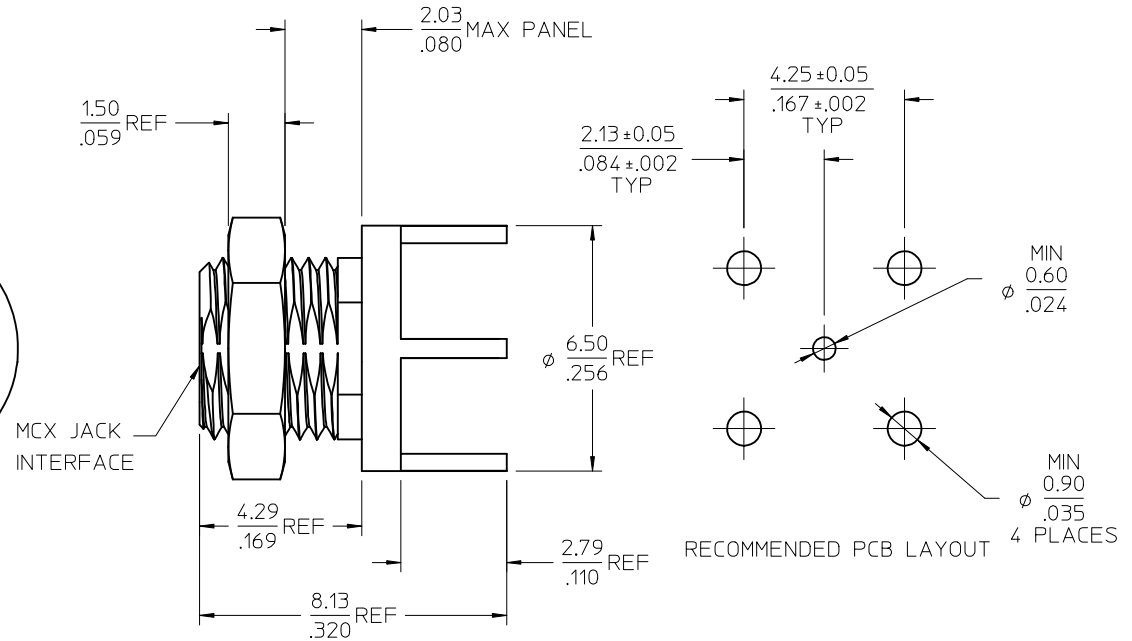
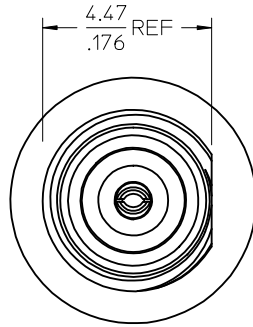
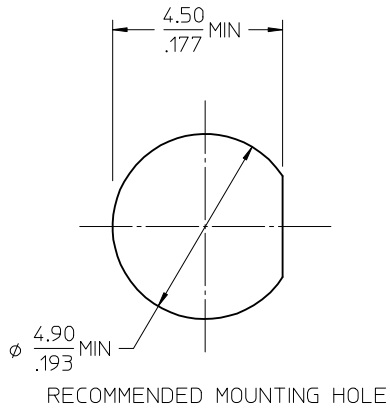
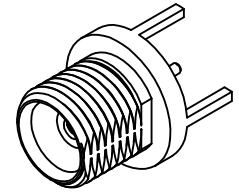
MATERIALS AND FINISHES

BODY: BRASS
PLATED SEE TABLE

CENTER CONTACT: BERYLLIUM COPPER
PLATED GOLD

INSULATOR: TEFLON

NUT: BRASS
PLATED SEE TABLE



		73415-1043	P/N 73415-1040 EXCEPT NO HARDWARE, BULK PACK
		73415-1042	P/N 73415-1040, ONE PER BAG
		73415-1041	BODY/NUT NICKEL PLATED, BULK
		73415-1040	BODY/NUT GOLD PLATED, BULK
PS-73598-0132	ELECTRO/MECH SPEC.		
ES-73599-0180	INTERFACE		
SPECIFICATION	DESCRIPTION	PART NO.	PLATING AND PACKAGING

CHG: ADDED P/N 73415-1043 EC NO: URF2009-0675 2009/05/29 DRWN: WIENER 2009/05/29 CHKD: SHAH 2009/05/29 APPR: WIENER 2009/05/29	QUALITY SYMBOLS ▽=0 ▽=0	GENERAL TOLERANCES (UNLESS SPECIFIED) mm INCH 4 PLACES ± --- ± --- 3 PLACES ± --- ± --- 2 PLACES ± --- ± --- 1 PLACE ± --- ± --- ANGULAR ± 2 °	DIMENSION STYLE MM/IN DRAWN BY DATE TEF 1999/02/17 CHECKED BY DATE DHG 1999/02/17 APPROVED BY DATE GMH 1999/02/17	SCALE DESIGN UNITS METRIC THIRD ANGLE PROJECTION	TITLE MCX JACK VERT BKHD PCB 50 OHM MCX-J/PCB	MATERIAL NO. DOCUMENT NO. SD-73415-104	SHEET NO. 1 OF 1