

THIS DRAWING IS UNPUBLISHED.

RELEASED FOR PUBLICATION

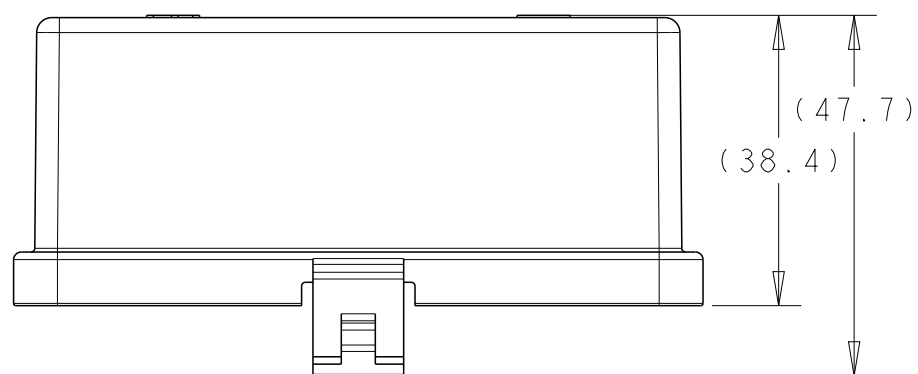
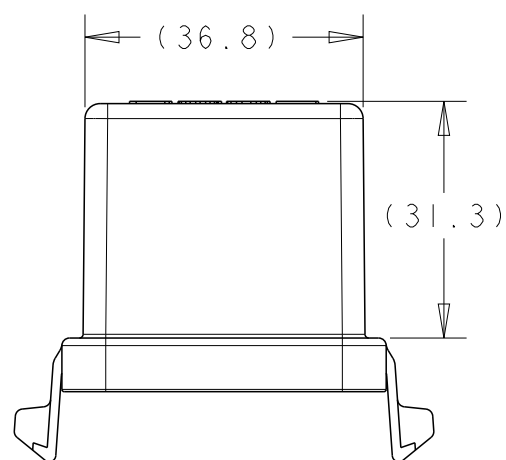
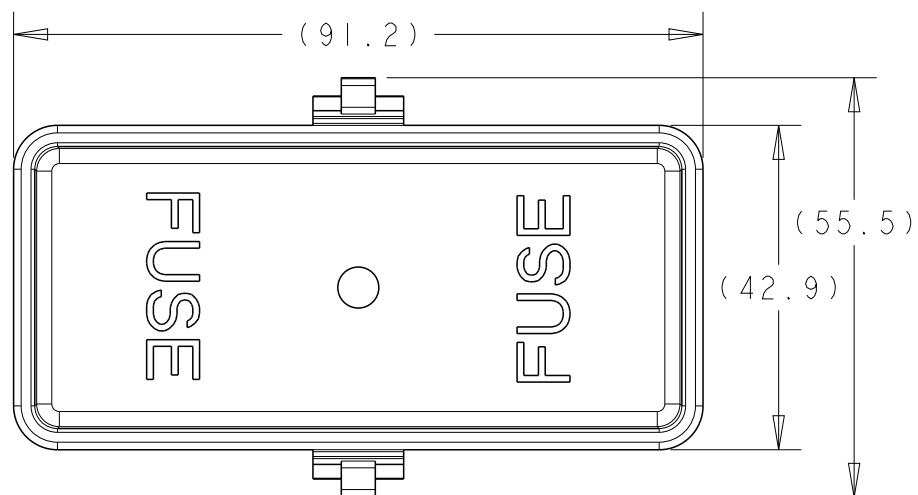
20

© COPYRIGHT 20 BY -

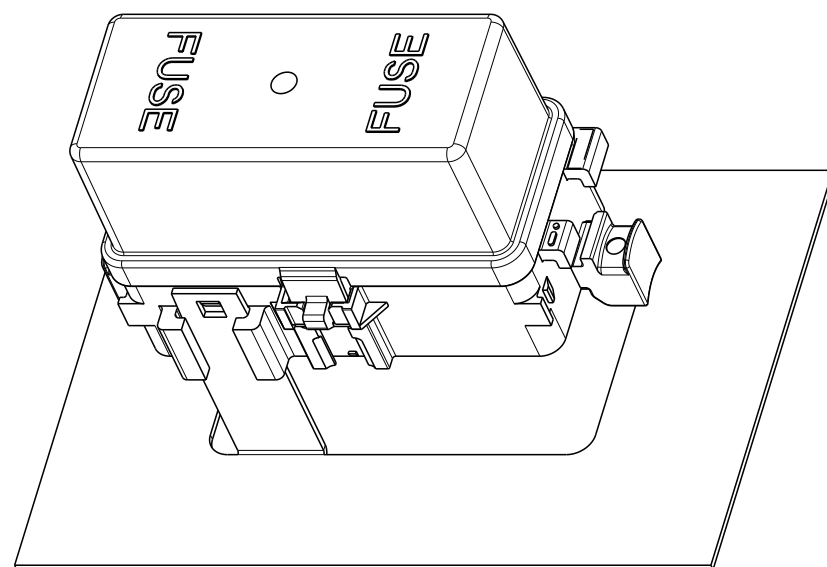
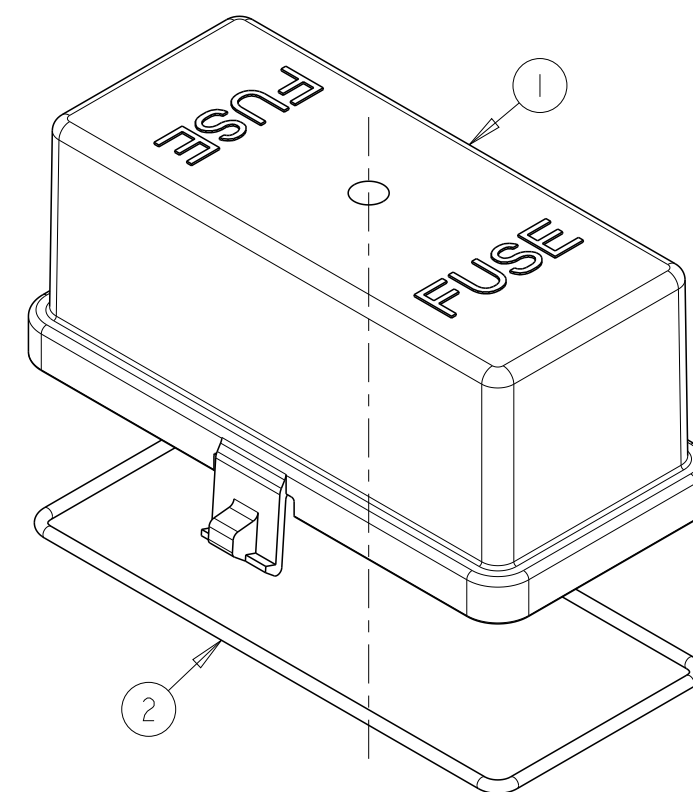
ALL RIGHTS RESERVED.

REVISIONS

P	LTR	DESCRIPTION	DATE	DWN	APVD
B		INITIAL DRAWING RELEASE	10NOV2005	AG	JS
BI		REV PER ECO-16-017944	12DEC2016	JM	DS



1. DEVICE MEETS TYCO PRODUCT SPECIFICATION 108-47001



MOUNTING DETAIL

1	SILICONE	SEAL	2
1	PBT BLACK	COVER	1
-1	MATERIAL	DESCRIPTION	ITEM

THIS DRAWING IS A CONTROLLED DOCUMENT.

DWN	A. GUANCO	10NOV2005
CHK	J. SHEVELA	10NOV2005
APVD	J. SHEVELA	10NOV2005



DIMENSIONS:	TOLERANCES UNLESS OTHERWISE SPECIFIED:
mm	
	0 PLC ±1
	1 PLC ±.25
	2 PLC ±.15
	3 PLC ±-
	4 PLC ±-
	ANGLES ±-
	FINISH ±1
MATERIAL	
SEE TABLE	

PRODUCT SPEC	-
APPLICATION SPEC	-
WEIGHT	-
CUSTOMER DRAWING	

NAME		COVER WITH SEAL		RESTRICTED TO	
		40 POSITION			
SIZE	CAGE CODE	DRAWING NO			
A3	00779	C-109854			
SCALE		SHEET		REV	
1:2		1 OF 1		BI	