


## ICV 2,5/ 8-GF-5,08

Order No.: 1825750

The figure shows a 10-position version of the product

<http://eshop.phoenixcontact.de/phoenix/treeViewClick.do?UID=1825750>

Header, Nominal current: 12 A, Rated voltage (III/2): 320 V, Number of positions: 8, Pitch: 5.08 mm, Color: green, Metal surface: Sn, Assembly: Soldering

| Commercial data          |  |
|--------------------------|--|
| GTIN (EAN)               | <br>4 017918 049911 |
| sales group              | E130   |
| Pack                     | 50 pcs.  |
| Customs tariff           | 85366990   |
| Catalog page information | Page 265 (CC-2009)   |

**Product notes**WEEE/RoHS-compliant since:  
01/01/2003

<http://www.download.phoenixcontact.com>  
Please note that the data given here has been taken from the online catalog. For comprehensive information and data, please refer to the user documentation. The General Terms and Conditions of Use apply to Internet downloads.

| Technical data                |          |
|-------------------------------|----------|
| <b>Dimensions / positions</b> |          |
| Length                        | 10.2 mm  |
| Pitch                         | 5.08 mm  |
| Dimension a                   | 35.56 mm |
| Number of positions           | 8        |

|                |           |
|----------------|-----------|
| Pin dimensions | 1,2 x 0,5 |
| Hole diameter  | 1.4 mm    |

#### Technical data

|                                     |               |
|-------------------------------------|---------------|
| Range of articles                   | ICV 2,5/..-GF |
| Insulating material group           | I             |
| Rated surge voltage (III/3)         | 4 kV          |
| Rated surge voltage (III/2)         | 4 kV          |
| Rated surge voltage (II/2)          | 4 kV          |
| Rated voltage (III/2)               | 320 V         |
| Rated voltage (II/2)                | 630 V         |
| Connection in acc. with standard    | EN-VDE        |
| Nominal current $I_N$               | 12 A          |
| Nominal voltage $U_N$               | 320 V         |
| Maximum load current                | 12 A          |
| Insulating material                 | PA            |
| Inflammability class acc. to UL 94  | V0            |
| Nominal voltage, UL/CUL Use Group B | 250 V         |
| Nominal current, UL/CUL Use Group B | 12 A          |
| Nominal voltage, UL/CUL Use Group D | 300 V         |
| Nominal current, UL/CUL Use Group D | 10 A          |

#### Certificates / Approvals



Certification

CB, CSA, CUL, GOST, UL, VDE-PZI

#### Accessories

| Item                | Designation | Description   |
|---------------------|-------------|---|
| <b>Plug/Adapter</b> |             |   |
| 1734634             | CP-MSTB     | Keying profile, is inserted into the slot on the plug or inverted header, red insulating material |
| 0201744             | MPS-MT      | Test plugs  |

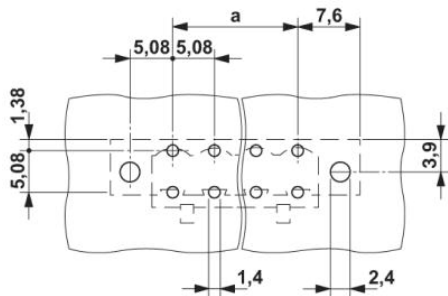
|         |     |                            |
|---------|-----|----------------------------|
| 0201647 | RPS | Reducing plug, Color: gray |
|---------|-----|----------------------------|

**Additional products**

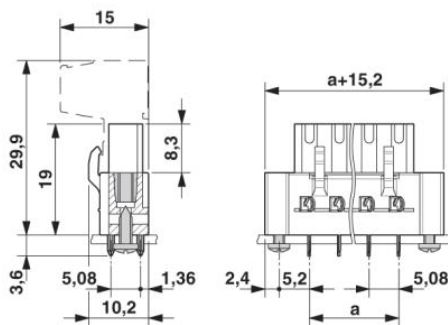
| Item           | Designation          | Description   |
|----------------|----------------------|---|
| <b>General</b> |                      |   |
| 1873566        | FKIC 2,5/ 8-STF-5,08 | Plug component, Nominal current: 12 A, Rated voltage (III/2): 320 V, Number of positions: 8, Pitch: 5.08 mm, Color: green, Metal surface: Sn  |
| 1825378        | IC 2,5/ 8-STF-5,08   | Plug component, Nominal current: 12 A, Rated voltage (III/2): 400 V, Number of positions: 8, Pitch: 5.08 mm, Color: green, Metal surface: Sn  |
| 1823448        | ICC 2,5/ 8-STZF-5,08 | Plug component, Nominal current: 12 A, Rated voltage (III/2): 320 V, Number of positions: 8, Pitch: 5.08 mm, Color: green, Metal surface: Sn, Corresponding male crimp contacts with current [A] and conductor cross section range [mm <sup>2</sup> ] data: 10A/ICC-MT 0,5-1,0 (3190577); 10A/ICC-MT 0,5-1,0 BA (3190603); 12A/ICC-MT 1,5-2,5 (3190580); 12A/ICC-MT 1,5-2,5 BA (3190593). BA = Bandkontakte |

**Diagrams/Drawings**

Drilling plan/solder pad geometry



Dimensioned drawing



**Address**

PHOENIX CONTACT Inc., USA  
586 Fulling Mill Road  
Middletown, PA 17057, USA  
Phone (800) 888-7388  
Fax (717) 944-1625  
<http://www.phoenixcon.com>



© 2011 Phoenix Contact  
Technical modifications reserved;