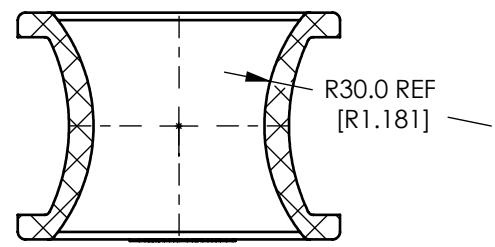
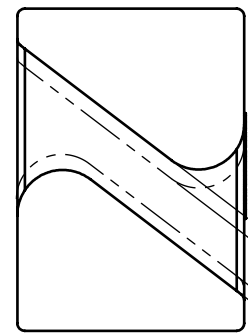
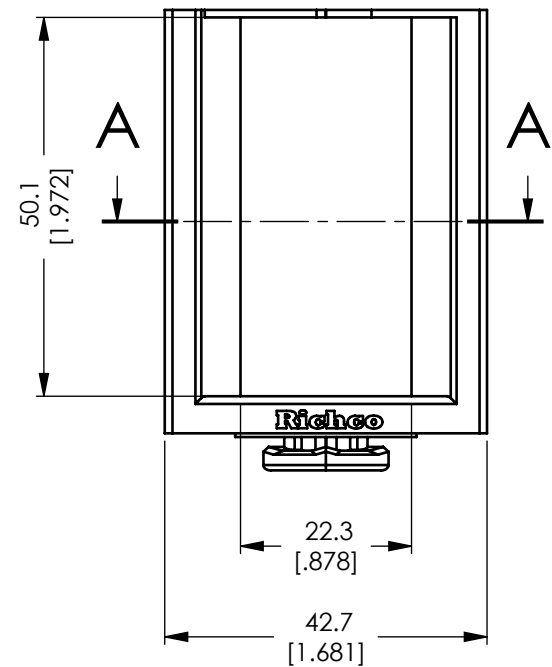
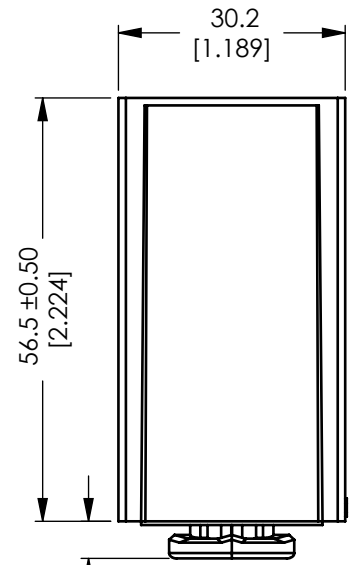


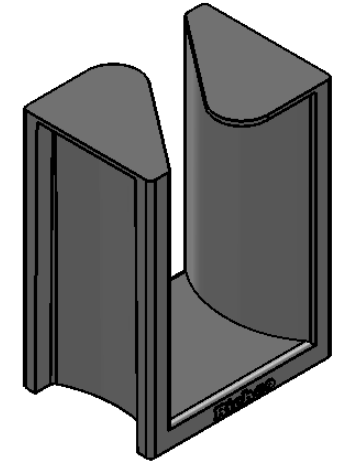
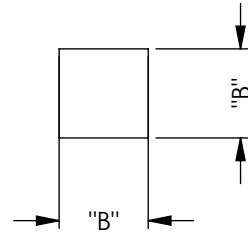
REV.	MODIFICATION.	DATE	DRN
01	PRODUCTION RELEASE	09/01/09	OW
02	CO-2010691	12/06/09	OW
03	CO-2010731	14/07/09	OW
04	CO-2010830	23/11/09	OW
05	CO-2010885	15/02/10	OW
06	3.0 Min was 6 ±1.0	26/09/13	NW
07	8.5 WAS 3.0 MIN; 5.0MIN ADDED	24/03/14	NW



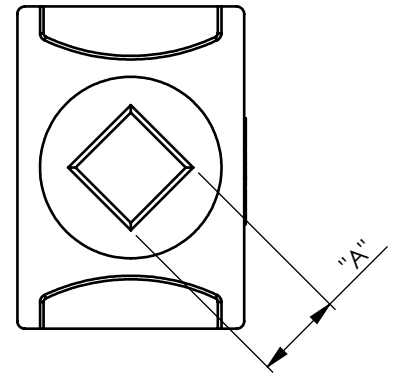
SECTION A-A



PANEL DETAIL:
1.6 - 2.0 [.063 - .079] THICK PANEL



ALTERNATE UNITS FOR REFERENCE ONLY



PART NUMBER	"A" DIMENSION ±0.2	"B" DIMENSION +0.1 -0
OFRB-1BK	11.7 [.461]	11.8 [.465]
OFRB-2BK	9.3 [.366]	9.5 [.374]

INFORMATION CONTAINED IN THIS DOCUMENT IS CONFIDENTIAL TO RICHCO INTERNATIONAL Co. Ltd. AND MAY NOT BE DISCLOSED OR REPRODUCED IN WHOLE OR PART WITHOUT THEIR WRITTEN CONSENT.

RICHCO, INC.
WWW.RICHCO-INC.COM

ALL DIMENSIONS IN mm
GENERAL TOLERANCES ±0.25
UNLESS OTHERWISE STATED
1 DECIMAL PLACE ±
2 DECIMAL PLACES ±
ANGULAR ±1°

THIRD ANGLE

MATERIAL: NYLON 6/6 FR UL94-V0 (RMS-19)		COLOUR: BLACK	
DESCRIPTION: OPTICAL FIBRE RACK BRACKET		PART No: SEE TABLE	
DRG No: 09-031	PROJECT NUMBER: BN08-0016	Mass:(g) 12.0	SHEET SIZE A4
DRN OW	DATE 03/12/08	CHKD SF	DATE 09/01/09
	SCALE NTS		SHEET No. 1 OF 1