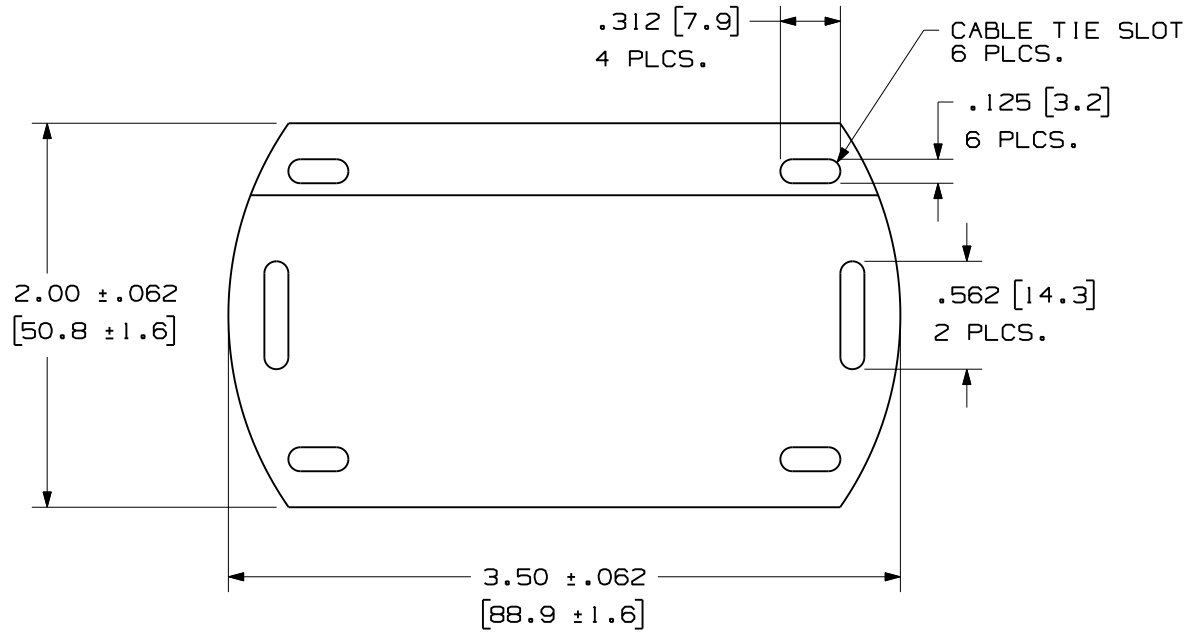


THIS COPY IS PROVIDED ON A RESTRICTED BASIS AND IS NOT TO BE USED IN ANY WAY DETRIMENTAL TO THE INTERESTS OF PANDUIT CORP.

NOTES:

1. MILLIMETER ARE IN [ ].



PART NUMBER	PART DESCRIPTION	STD. PKG. QTY.	STD. CTN. QTY.
PST-FOBLNK	YELLOW BLANK TAG, 5 TAGS/PACK.	1	40

CAD FILENAME/LAYERS 101064DB-DC-C10896/00A



CUSTOMER DRAWING  
PST-FOBLNK FIBER OPTIC CABLE TAG

UNLESS OTHERWISE SPECIFIED, DIMENSIONAL TOLERANCES ARE:  
(.X) ± .12 (.XXX) ± .025  
(.XX) ± .062 ANGLES ±

UNLESS OTHERWISE SPECIFIED, ALL DIMENSIONS ARE GIVEN IN INCHES, THIRD ANGLE PROJECTION.

DRAWN BY RVU MAT'L: 15 MIL RIGID VINYL - YELLOW GMRV15-YL  
DATE 3/25/11  
SCALE NOT TO SCALE  
DRAWING NO. C10896 DWG SIZE A

REV	DATE	BY	CHK	DESCRIPTION	ECN	R	CUST	SUP
0	3/25/11	RVU		DRAWING RELEASED	6335	R		