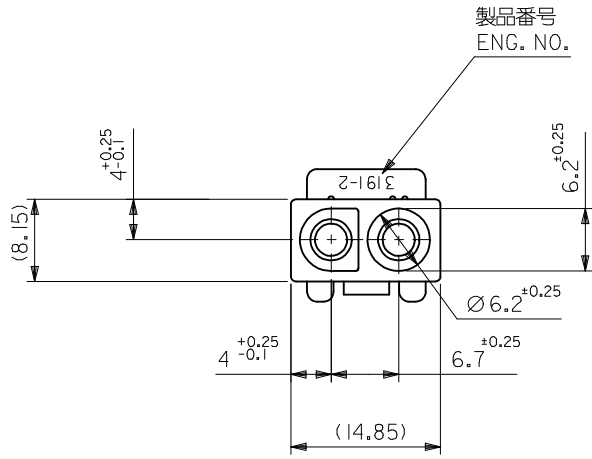


注記
NOTE

- () 内寸法は参考値
DIMENSIONS IN () ARE REFERENCE
- 材料 : ナイロン66
MATERIAL : NYLON66



RED	39-01-9024	3191-02P1-RE	94V-2
BLUE	39-01-9023	3191-02P1-BU	94V-2
NATURAL	39-03-6023	3191-02P1-201	94V-0
NATURAL	39-03-6022	3191-02P1	94V-2
色 COLOR	POLYBAG PACKAGE オーダー番号 ORDER NO.	モデル番号 MODEL NO.	UL

REDRAWN EC NO.: J2013-0829 DRWN: KWASHIO 2013/01/31 CHKD: KASAKAWA 2013/01/31 APPR: YOITO 2013/04/16 REV: 0	DESCRIPTION GENERAL TOLERANCES (UNLESS SPECIFIED) 10 UNDER ± --- 10 OVER 30 UNDER ± --- 30 OVER ± --- ANGULAR ± --- ° DRAFT WHERE APPLICABLE MUST REMAIN WITHIN DIMENSIONS	DIMENSION STYLE MM ONLY	SCALE ---	DESIGN UNITS METRIC	THIRD ANGLE PROJECTION		
		DRAWN BY KWASHIO	DATE 2013/01/31	TITLE 2 CKT PLUG HSG (.093 DIA TERM)			
		CHECKED BY KASAKAWA	DATE 2013/01/31	MATERIAL NO. SEE TABLE			
		APPROVED BY YOITO	DATE 2013/04/16	DOCUMENT NO. SD-3191-009	SHEET NO. 1 OF 1		

