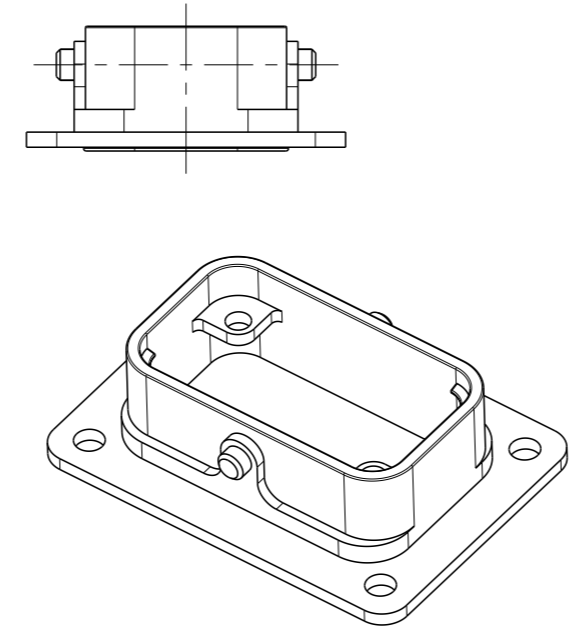
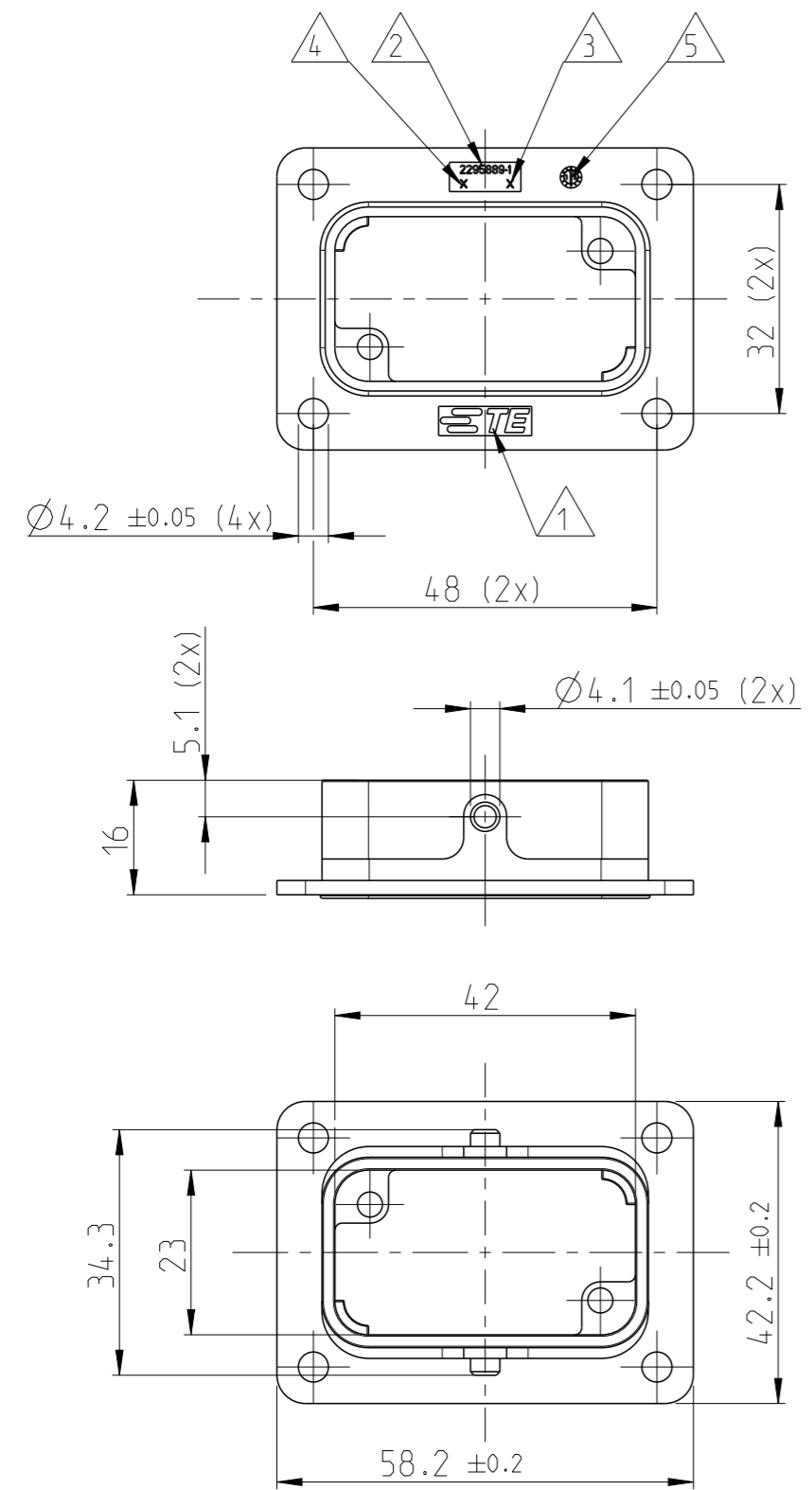


P	LTR	DESCRIPTION BESCHREIBUNG	DATE	DWN	APVD
	A1	DRAWING ACTIVATED	19MAY2016	ER	DO
	A2	ZONE B/4: DIM. 34.3 WAS 34.4 (PCN E-16-010407)	19JUL2016	ER	DO



- 1 TE LOGO
- 2 TE PART NO.
- 3 CURRENT TE REVISION LETTER
- 4 MOLD CAVITY IDENTIFICATION NUMBER
- 5 PRODUCTION DATE CLOCK
- 6 RECOMMENDED SCREW M4
- 7 PACKAGING: 25 PIECES ARE IN ONE TRAY.
6 FILLED TRAYS ARE PACKED IN A TE NEUTRAL PAPER BOX.
MAX. WEIGHT PER BOX: 8 KG


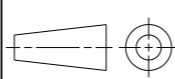
2295889-1	SHROUD, METAL	Ni-PLATED	ZP0410
TE CONNECTIVITY ORDER NO.	DESCRIPTION	SURFACE	MATERIAL
		COLOUR	

-1 AS SHOWN

TOLERANCING ISO 8015
GEOMETRIC TOLERANCING ISO 1101
SIZE ISO 14405
GENERAL TOLERANCES ISO 2768-K

DIESE ZEICHNUNG IST EIN KONTROLLIERTES DOKUMENT.
BEMASSUNGEN UND TOLERANZEN GEMAESS GPS (ISO STANDARDS).

THIS DRAWING IS A CONTROLLED DOCUMENT.
DIMENSIONING AND TOLERANCING PER GPS (ISO STANDARDS).

DIMENSIONS: MASSEINHEITEN: MM	TOLERANCES UNLESS OTHERWISE SPECIFIED: ALLGEMEINTOLERANZEN	DWN E.REISS 01OCT2015	 TE Connectivity
	0 PLC ±0.1 1 PLC ±0.1 2 PLC ±0.1 3 PLC ± 4 PLC ± ANGLES/WINKEL ±1°	CHK KANG INGON 01OCT2015	
		APVD ONDREJ DUSAN 01OCT2015	
		PRODUCT SPEC PRODUKTSPEZ. -	
MATERIAL	FINISH/OBERFLAECHE/FARBE	APPLICATION SPEC VERARBEITUNGSSPEZ. -	NAME SHROUD, METAL KRAGEN, METALL
-	-	WEIGHT GEWICHT 46.36g	SIZE A3
-	-	Customer Drawing	CAGE CODE 00779
		Customer Drawing	DRAWING NO. ZEICHNUNGS-NR. G=2295889
		Customer Drawing	RESTRICTED TO NUR FUER -
		Customer Drawing	SCALE MASSSTAB 1:1
		Customer Drawing	SHEET BLATT 1 OF 1
		Customer Drawing	REV A2