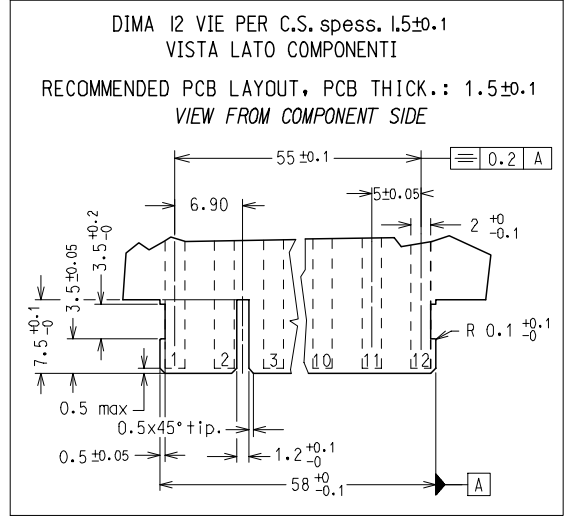
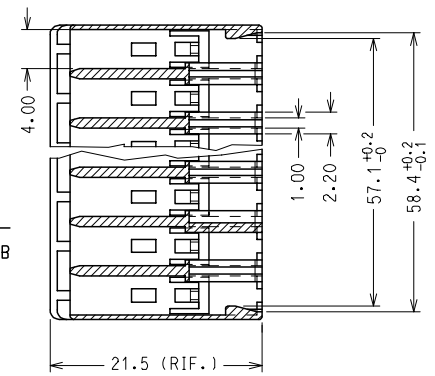
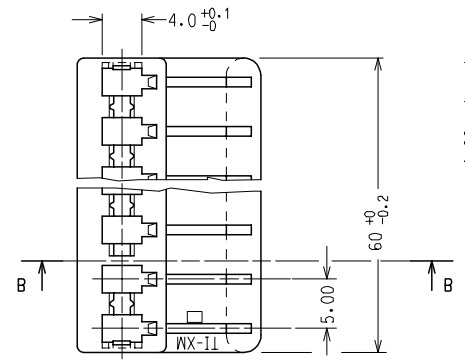
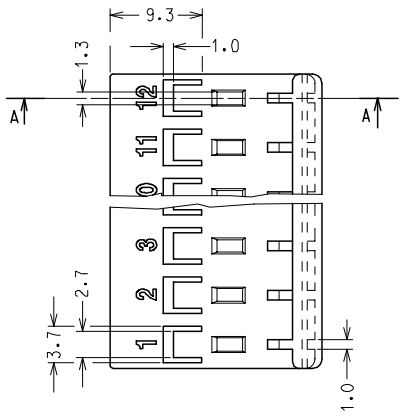
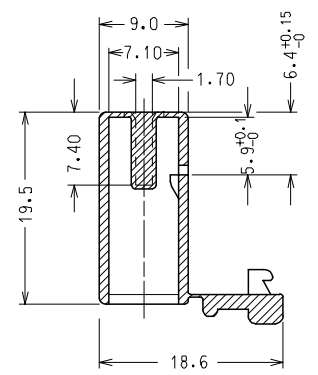
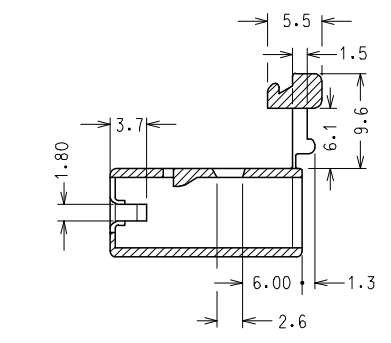


10 9 8 7 6 5 4 3 2 1

SECTION A-A

SECTION B-B



CODICE	P/N	COLORE	MATERIALE
94529-9112		NATURALE (NATURAL)	PA 66 UL94 V2 GWT 850°C
94529-9212		NERO (BLACK)	
94529-7112		NATURALE (NATURAL)	PA 66 UL94 V0
94529-4112		NATURALE (NATURAL)	NYLON 6.6 GWT 750 °C sec. IEC 60335-1
94529-4212		NERO (BLACK)	TEST METHOD IEC 60695-2-11

NOTA: LE DIMENSIONI VANNO MISURATE CON CORPI STABILIZZATI SECONDO NG 2301. (AUMENTO IN PESO DEL 2.7 %)

NOTE: PARTS SHALL BE DIMENSIONALLY CHECKED AFTER ATTAINING EQUILIBRIUM CONDITIONS E.G. 2% INCREASE IN WEIGHT FOR HUMIDITY ABSORPTION FROM DRY STATUS.

CARATTERISTICHE PRODOTTO SECONDO PS-94529
PRODUCT CHARACTERISTICS ACCORDING TO PS-94529 E

CONFEZIONE: 1800 pz. IN SCATOLA
PACKAGING: 1800 pcs IN CARTON BOX

SFQ: 1800 pz.

Descr. Std: HSG FOR FORK TERMINAL 12 CKT

EC NO: Z2006-0107 DRWN: FGOTTARDI 005/12/20 CHKD: RSANDANI 005/12/20 APPR: GZUINI 2006/01/09	QUALITY SYMBOLS	GENERAL TOLERANCES (UNLESS SPECIFIED)	SCALE 2:1	DESIGN UNITS METRIC	FIRST ANGLE PROJECTION	REVISE ON CAD ONLY																															
	DESCRIPTION ▲ -0 ▽ -0	<table border="1"> <thead> <tr> <th></th> <th>mm</th> <th>INCH</th> </tr> </thead> <tbody> <tr> <td>4 PLACES</td> <td>± ---</td> <td>± ---</td> </tr> <tr> <td>3 PLACES</td> <td>± ---</td> <td>± ---</td> </tr> <tr> <td>2 PLACES</td> <td>± 0.10</td> <td>± ---</td> </tr> <tr> <td>1 PLACE</td> <td>± 0.2</td> <td>± ---</td> </tr> </tbody> </table>		mm	INCH	4 PLACES	± ---	± ---	3 PLACES	± ---	± ---	2 PLACES	± 0.10	± ---	1 PLACE	± 0.2	± ---	<table border="1"> <thead> <tr> <th colspan="2">DIMENSION STYLE</th> </tr> <tr> <th colspan="2">MM ONLY</th> </tr> </thead> <tbody> <tr> <td>DRAWN BY</td> <td>DATE</td> </tr> <tr> <td>FGOTTARDI</td> <td>2000/01/25</td> </tr> <tr> <td>CHECKED BY</td> <td>DATE</td> </tr> <tr> <td>MTESTAGU</td> <td>2000/01/25</td> </tr> <tr> <td>APPROVED BY</td> <td>DATE</td> </tr> <tr> <td>RMARTUCC</td> <td>2000/01/25</td> </tr> </tbody> </table>	DIMENSION STYLE		MM ONLY		DRAWN BY	DATE	FGOTTARDI	2000/01/25	CHECKED BY	DATE	MTESTAGU	2000/01/25	APPROVED BY	DATE	RMARTUCC	2000/01/25	TITLE	12 CKT HOUSING FOR STRAIGHT FORK TERMINAL	
			mm	INCH																																	
		4 PLACES	± ---	± ---																																	
3 PLACES	± ---	± ---																																			
2 PLACES	± 0.10	± ---																																			
1 PLACE	± 0.2	± ---																																			
DIMENSION STYLE																																					
MM ONLY																																					
DRAWN BY	DATE																																				
FGOTTARDI	2000/01/25																																				
CHECKED BY	DATE																																				
MTESTAGU	2000/01/25																																				
APPROVED BY	DATE																																				
RMARTUCC	2000/01/25																																				
B4	REV	DRAFT WHERE APPLICABLE MUST REMAIN WITHIN DIMENSIONS	MATERIAL NO. SEE TABLE		DOCUMENT NO. SD-94529-012	SHEET NO. 1 OF 1																															

MOLEX MOLEX INCORPORATED

THIS DRAWING CONTAINS INFORMATION THAT IS PROPRIETARY TO MOLEX INCORPORATED AND SHOULD NOT BE USED WITHOUT WRITTEN PERMISSION

9 8 7 6 5 4 3 2 1