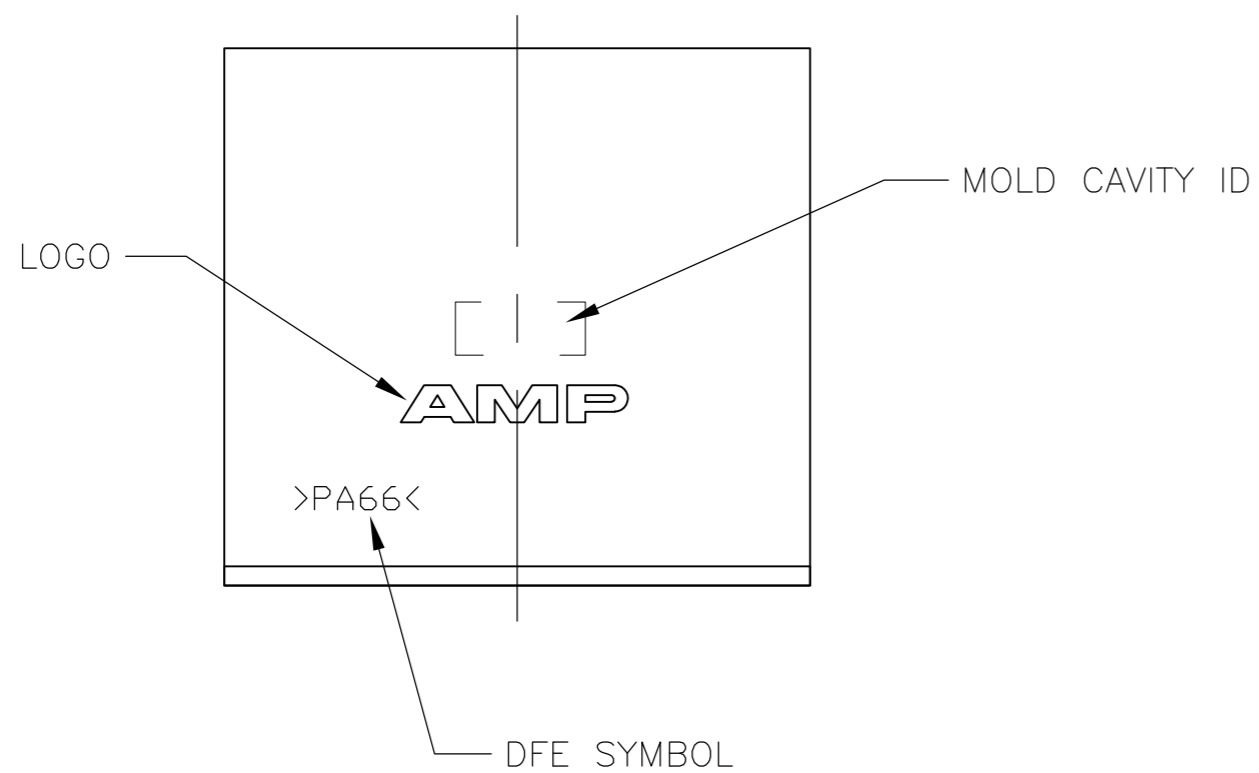
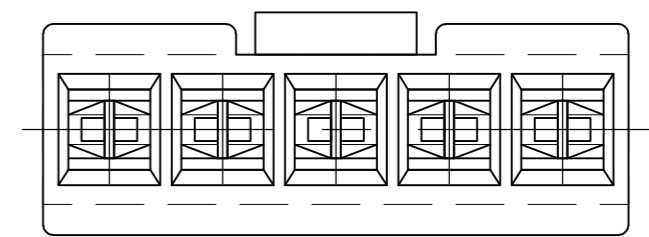
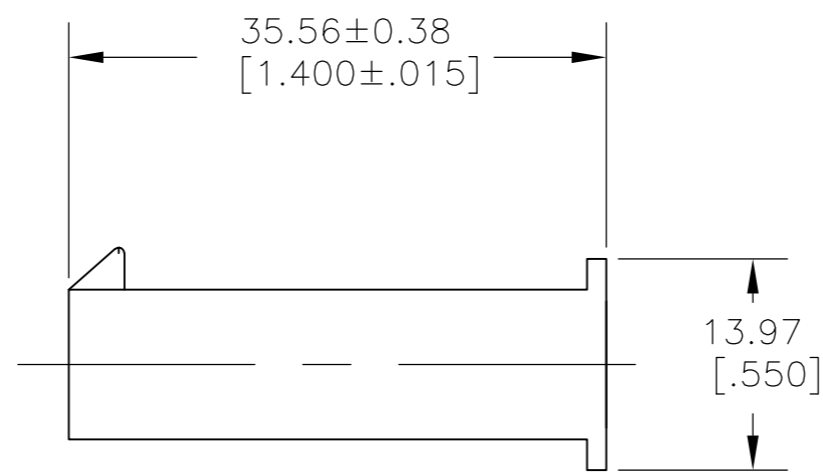
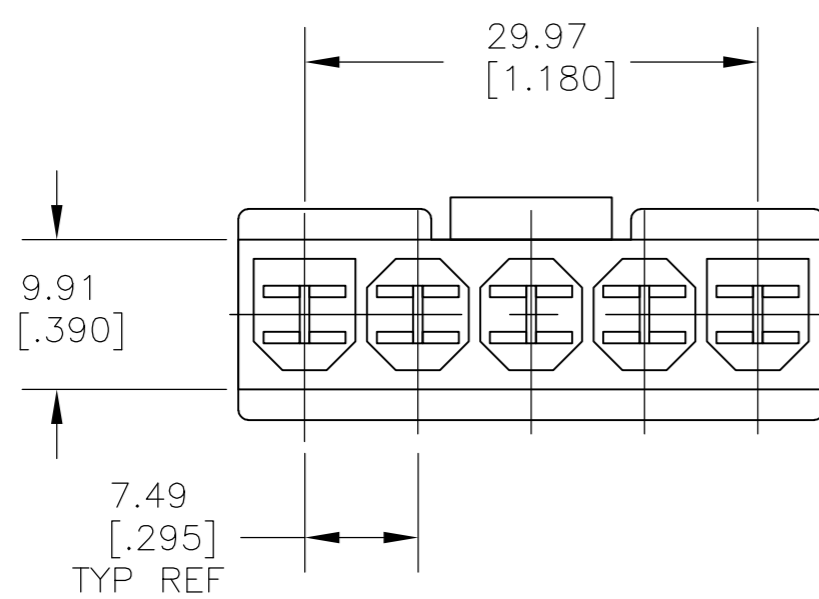
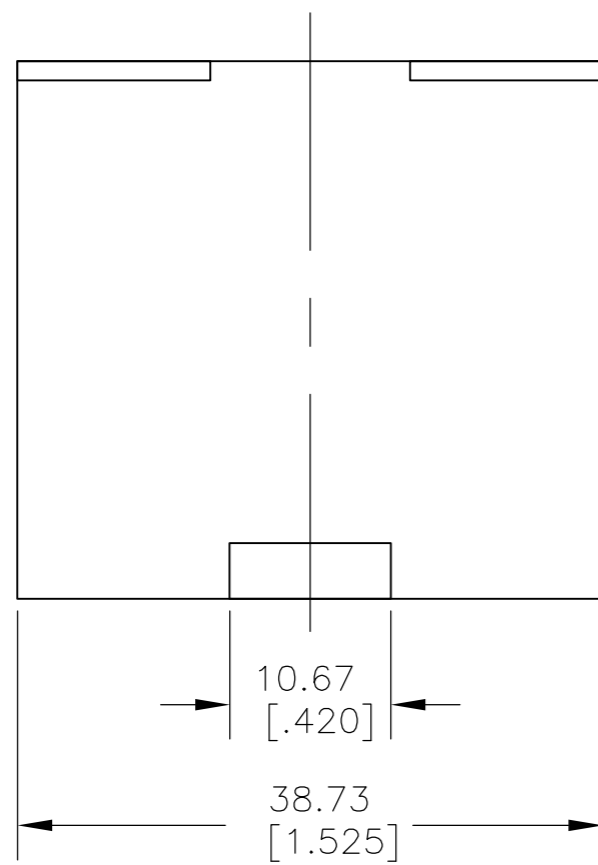


THIS DRAWING IS UNPUBLISHED. RELEASED FOR PUBLICATION
 © COPYRIGHT BY TYCO ELECTRONICS CORPORATION. ALL INTERNATIONAL RIGHTS RESERVED.

LOC	DIST	REVISIONS			
P	LTR	DESCRIPTION	DATE	DWN	APVD
AF	50	A1	REVISED PER ECR-09-001757	28JAN09	HMR EH

1 PART ACCEPTS 3.18 [.125] BLADE CONTACT
 P/N 1217076-1



1969205-1
 PART NO

THIS DRAWING IS A CONTROLLED DOCUMENT.		DWN jr ruth 27JUN08	Tyco Electronics Corporation Harrisburg, PA 17105-3608	
DIMENSIONS: INCHES		CHK DON DECKER 27JUN08	NAME	
TOLERANCES UNLESS OTHERWISE SPECIFIED:		APVD DON DECKER 27JUN08	PRODUCT SPEC	
0 PLC ± -		APPLICATION SPEC		
1 PLC ± -		SIZE		
2 PLC ± 0.25 [.010]		CAGE CODE		
3 PLC ± -		DRAWING NO		
4 PLC ± -		RESTRICTED TO		
ANGLES ± 5°		A2 00779 C=1969205		
MATERIAL HEAT STABILIZED NYLON	FINISH COLOR - NATURAL	WEIGHT -	SCALE 2:1 SHEET 1 of 1 REV A1	
CUSTOMER DRAWING				