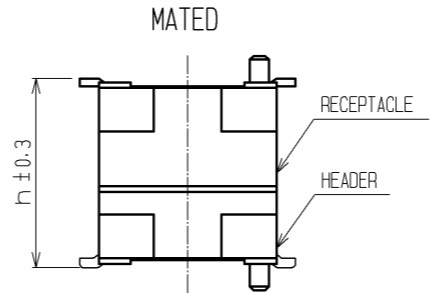


NOTES ① LEAD CO-PLANARITY INCLUDE REINFORCED METAL FITTINGS SHALL BE 0.1 mm MAX.
 ② WHEN A PART MARKED WITH HAS A PATTERN BUT NO RESIST ON IT. TAKE CARE TO PREVENT THE CONNECTOR FROM TOUCHING IT.

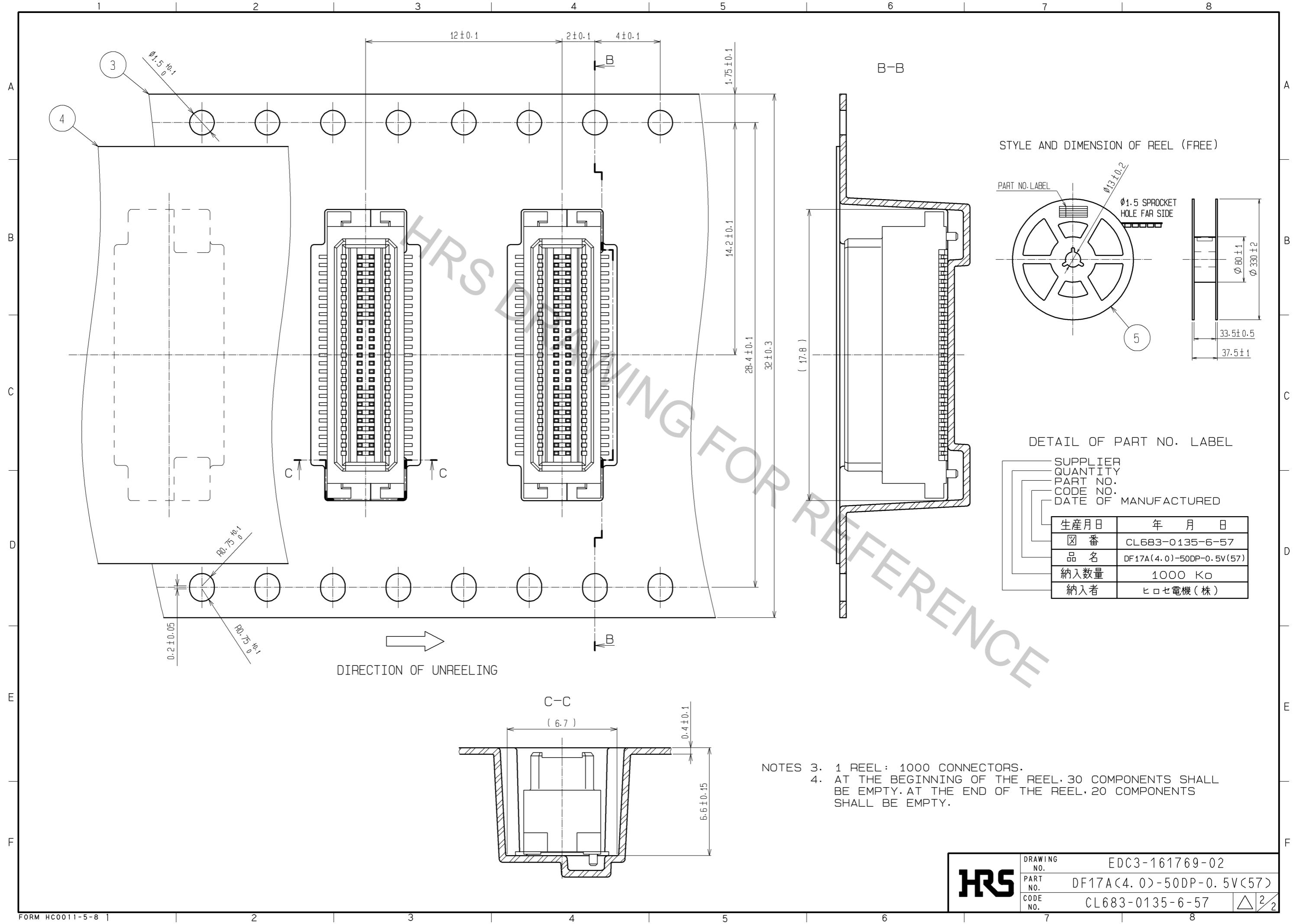
MATED HIGHT (h)		(mm)	
HEADER NO.	RECEPTACLE NO.	7	8
DF17A(4.0)-50DP-0.5V(57)	DF17*(3.0)-50DS-0.5V(57)	DF17*(4.0)-50DS-0.5V(57)	



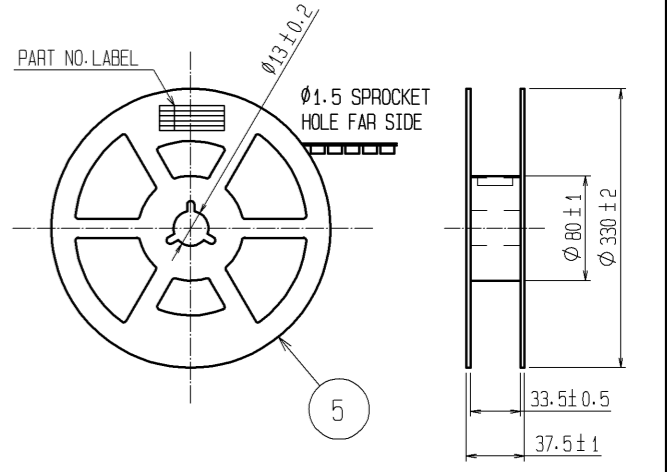
NO.	MATERIAL	FINISH	REMARKS	NO.	MATERIAL	FINISH	REMARKS
1	PHOSPHOR BRONZE		CONTACT AREA:GOLD PLATED 0.1µm min LEAD AREA:TIN PLATED 1µm min UNDER PLATING:NICKEL PLATED 1µm min	5	PS		PLASTIC REEL · BLACK
				4	POLYESTER		CLEAR (COVER TAPE)
				3	A-PET		CLEAR (EMBOSSED CARRIER TAPE)
				2	POLYAMIDE (PA6T)		NATURAL (BEIGE) · UL94V-0

UNITS	SCALE	COUNT	DESCRIPTION OF REVISIONS	DESIGNED	CHECKED	DATE
mm	5 : 1	△	APPROVED : KH. IKEDA 08.09.25 CHECED : TS. MIYAZAKI 08.09.25 DESIGNED : TY. YAMASAKI 08.09.03 DRAWN : TY. YAMASAKI 08.09.03			

DRAWING NO.	PART NO.	CODE NO.
EDC3-161769-02	DF17A(4.0)-50DP-0.5V(57)	CL683-0135-6-57



STYLE AND DIMENSION OF REEL (FREE)



NOTES 3. 1 REEL: 1000 CONNECTORS.
4. AT THE BEGINNING OF THE REEL, 30 COMPONENTS SHALL BE EMPTY. AT THE END OF THE REEL, 20 COMPONENTS SHALL BE EMPTY.

HRS	DRAWING NO.	EDC3-161769-02
	PART NO.	DF17A(4.0)-50DP-0.5V(57)
	CODE NO.	CL683-0135-6-57
		\triangle 2/2