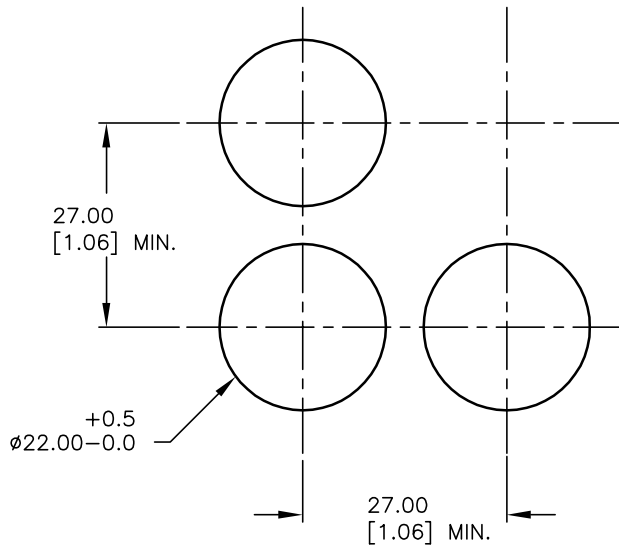
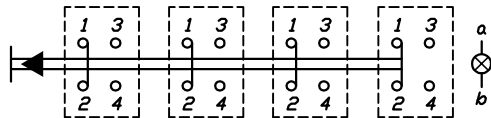


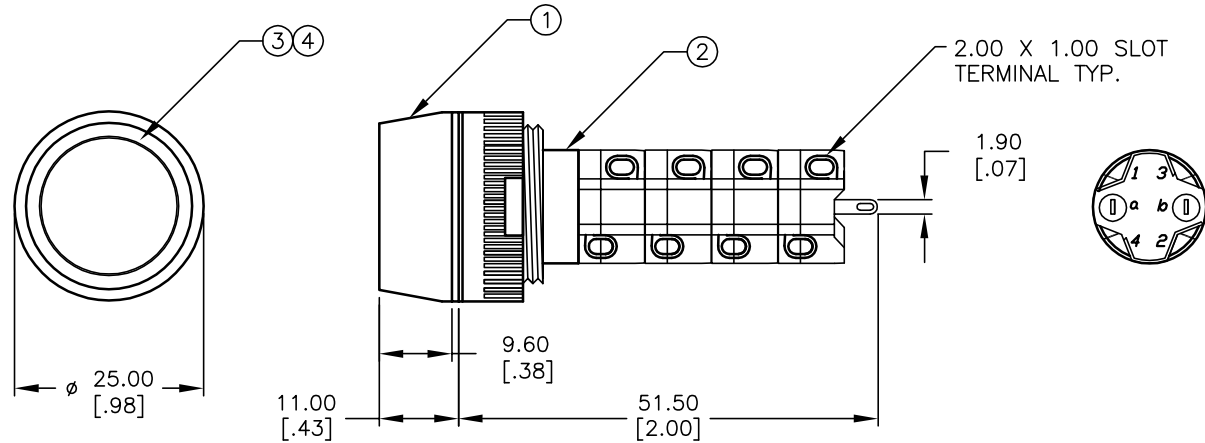
Item	Qty.	Dwg. No.	Part No.
1	1	F051702	25mm RING FOR LA SERIES
2	1	F060605	LASEEV140
3	1	F060255	25mm RED LENS
4	1	F050420	12VDC RED LED



RECOMMENDED PANEL MOUNTING



4PST CONTACT CONFIGURATION



NOTES:

1. ALL DIMENSIONS IN MM [INCH]
2. GENERAL TOLERANCE: X.X=±0.4
X.XX=±0.25
3. RATINGS: 250VAC @5A; 125VAC @8A B

E-SWITCH®

REV.	ECN No.	DESCRIPTION	DATE	CHKD
B	13739	CORRECT RATINGS NOTE	1/26/04	AR
A	13651	RELEASED FOR PRODUCTION	12/12/03	AR

TITLE				
LASEEV14JREDRED				
SCALE	DATE	DR	DWG	REV
1:1	12/12/03	AR	XF0576P	B

THE INFORMATION CONTAINED IN THIS DOCUMENT IS PROPRIETARY TO E-SWITCH AND IS NOT TO BE COPIED OR TRANSFERRED