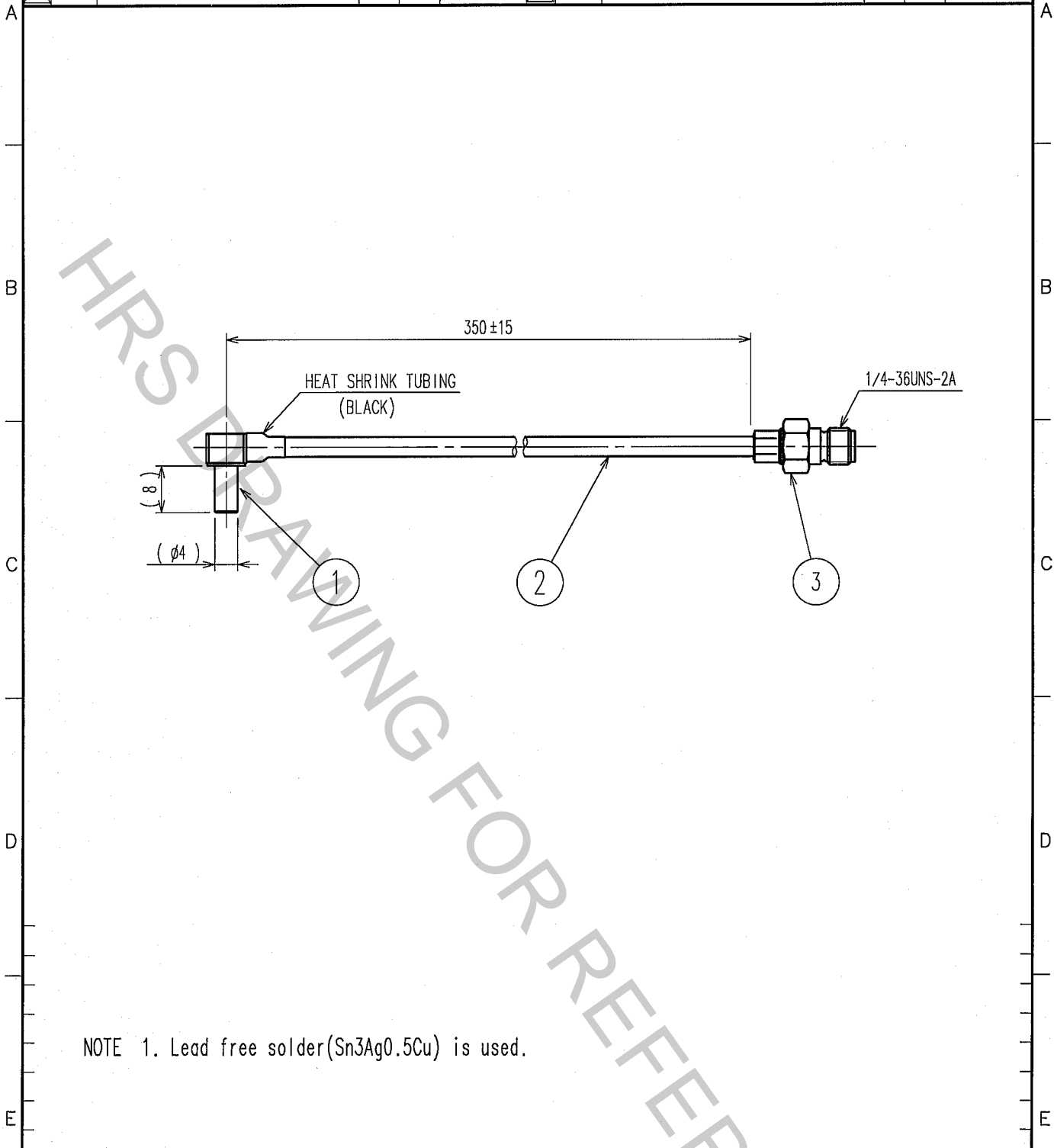


1			2			3			4		
COUNT	DESCRIPTION OF REVISIONS	BY	CHKD	DATE	COUNT	DESCRIPTION OF REVISIONS	BY	CHKD	DATE		
△				..	△				..		
△					△				..		
△					△				..		



NOTE 1. Lead free solder(Sn3Ag0.5Cu) is used.

2	1.5D-HQEW	FUJIKURA CO.,LTD			
1	MS-162-C(LP)-1	CL358-0222-4-00	3	HRM-200-1.5WJBN(40)	CL323-0711-7-40
NO.	MATERIAL	FINISH, REMARKS	NO.	MATERIAL	FINISH, REMARKS

CODE NO. (OLD)	DRAWN	DESIGNED	CHECKED	APPROVED	RELEASED
	<i>Y. Matano</i> '07.6.29	<i>Y. Matano</i> '07.6.29	<i>R. Kaneko</i> '07.6.29	<i>K. Kawamura</i> '07.6.29	

TO
RFD

	DRAWING NO. EDC4-180704	PART NO. MS162L1-HRMJ-15W350
SCALE 1 : 1	 HIROSE ELECTRIC CO.,LTD.	CODE NO. CL362-0130-7
UNITS mm		1/1

