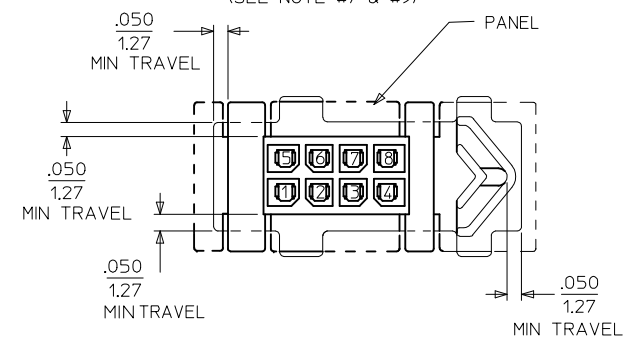


RECOMMENDED PANEL CUT-OUT

(SEE NOTE #7 & #9)



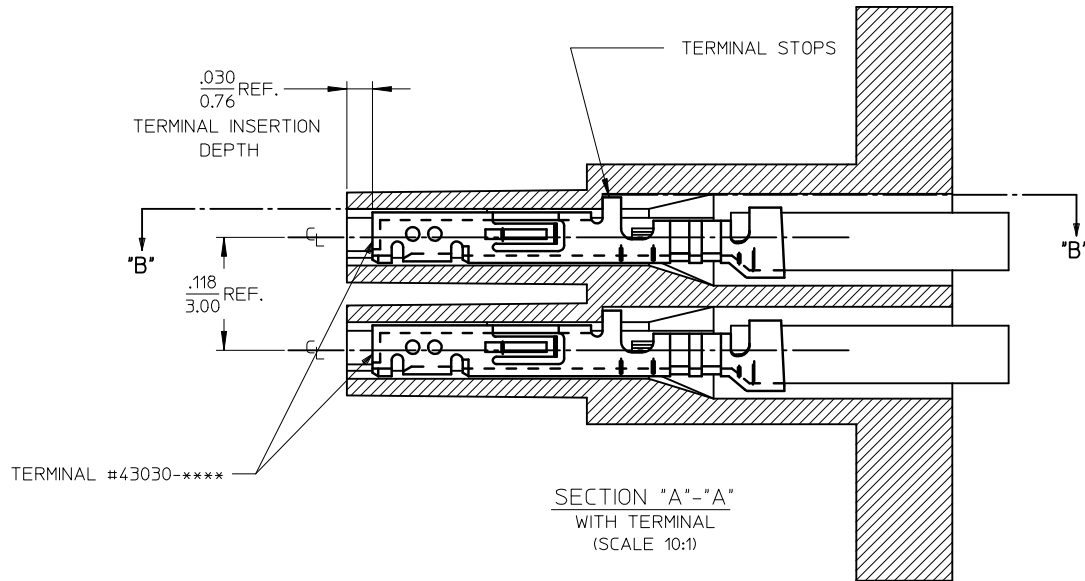
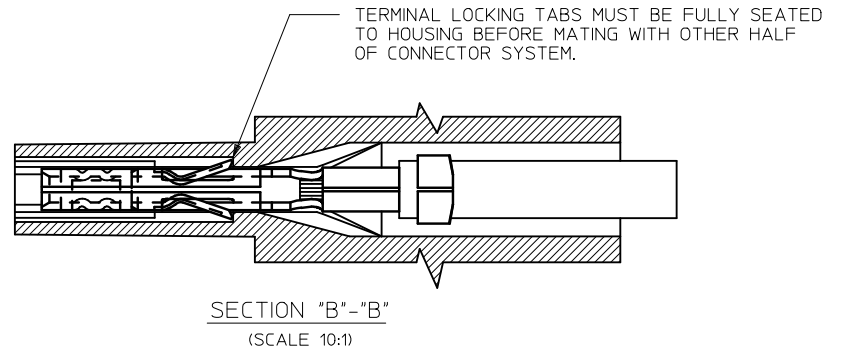
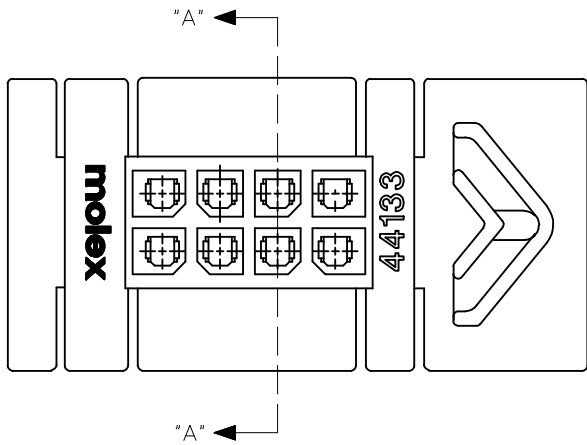
RECEPTACLE SHOWN MOUNTED IN PANEL

NOTES:

1. MATERIAL: UNFILLED NYLON, UL94V-0, COLOR: BLACK
2. FINISH: N/A
3. PRODUCT SPECIFICATION: PS-44300-001
4. PACKAGING SPECIFICATION: TRAY PACKED PER PK-44133-002
5. THIS RECEPTACLE MATES WITH MOLEX BMI PLUG 44300, MOLEX BMI VERTICAL PCB HEADER 44432, MOLEX BMI RIGHT ANGLE PCB HEADER 44428, & MOLEX BMI CPI VERTICAL PCB HEADER 45280.
6. THIS RECEPTACLE TO BE USED WITH MOLEX FEMALE CRIMP TERMINALS ONLY (SERIES 43030, 45773, OR 46235). SEE SECTION "A"- "A" FOR TERMINAL ORIENTATION IN HOUSING.
7. THIS RECEPTACLE IS DESIGNED FOR USE WITH .060/1.52 MAX. TO .050/1.27 MINIMUM THICK PANELS.
8. DIMENSIONS GIVEN ACROSS CENTERLINES ARE SYMMETRICAL ABOUT THOSE CENTERLINES WITHIN THE TOTAL TOLERANCE.
9. WHEN MATING WITH 44300 SERIES, THE PANEL CUT-OUT CENTERLINES OF DIM "H" AND .385/9.78 MUST ALIGN WITH POINT "M" DEFINED BY MOLEX DRAWING SD-44300-001.
10. MOLEX RECOMMENDS THE USE OF MICRO-FIT TEST PLUG (SERIES 44242) WHENEVER CONTINUITY TESTING IS PERFORMED. TEST PLUGS MUST NOT BE USED TO MAKE OR BREAK UNDER LOAD. MOLEX DOES NOT RECOMMEND USING STANDARD MATING COMPONENTS (SERIES 44428, 44432, 44300 OR 45280) FOR HARNESS TESTING PURPOSES.
11. HOUSINGS MAY EXHIBIT A SURFACE IMPERFECTION KNOW AS "SINK MARKS" UP TO .024/(0.60) MAX. THIS IS A COSMETIC DEFECT AND DOES NOT AFFECT FUNCTION OF THE CONNECTOR.
12. THIS PART CONFORMS TO CLASS 'B' REQUIREMENTS OF COSMETIC SPECIFICATION PS-45499-002.

CKT. SIZE	MATERIAL NUMBER	DIM "A"	DIM "B"	DIM "G"	DIM "H"
04	44133-0408	.97 24.6	.118 3.00	.530 13.46	.870 22.10
06	44133-0608	1.09 27.7	.236 6.00	.648 16.46	.988 25.10
08	44133-0808	1.21 30.7	.354 9.00	.766 19.46	1.106 28.10
10	44133-1008	1.33 33.8	.472 12.00	.884 22.46	1.224 31.10
12	44133-1208	1.45 36.8	.591 15.00	1.002 25.46	1.343 34.10
14	44133-1408	1.57 39.8	.709 18.00	1.120 28.46	1.461 37.10
16	44133-1608	1.69 42.8	.827 21.00	1.239 31.46	1.579 40.10
18	44133-1808	1.80 45.8	.945 24.00	1.357 34.46	1.697 43.10
20		1.92 48.8	1.063 27.00	1.475 37.46	1.815 46.10
22		2.04 51.8	1.181 30.00	1.593 40.46	1.933 49.10
24		2.16 54.8	1.299 33.00	1.711 43.46	2.051 52.10

CORRECT DIM A EC NO: UCP2016-4023 DRAWN: SLAFTER 2016/04/13 CHKD: SSOUSEK 2016/04/13 APPR: FSMITH 2016/04/18 REV: B4	QUALITY SYMBOLS ▽=0 ▽=0 ▽=0	GENERAL TOLERANCES (UNLESS SPECIFIED)		DIMENSION STYLE IN/MM		SCALE ---	DESIGN UNITS METRIC	THIRD ANGLE PROJECTION 	
				mm	INCH	DRAWN BY GAVERRILL	DATE 2008/07/02		TITLE MICRO-FIT (3.0) BMI FLOATING PANEL RECEPTACLE, HALOGEN-FREE
		4 PLACES ± --- ± ---		± .010	± .014	CHECKED BY SSOUSEK	DATE 2008/07/09		
		3 PLACES ± --- ± ---		± .010	± .014	APPROVED BY FSMITH	DATE 2016/04/18		
2 PLACES ± 0.25 ± ---		± .010	± .014	MATERIAL NO. SEE CHART		DOCUMENT NO. SD-44133-003	SHEET NO. 1 OF 2		
1 PLACE ± 0.35 ± ---		± .010	± .014	DRAFT WHERE APPLICABLE MUST REMAIN WITHIN DIMENSIONS THIS DRAWING CONTAINS INFORMATION THAT IS PROPRIETARY TO MOLEX INCORPORATED AND SHOULD NOT BE USED WITHOUT WRITTEN PERMISSION					
0 PLACE ± --- ± ---		± .010	± .014						



SEE SHEET 1 EC NO: UCP2016-4023 DRAWN: SLAFTER 2016/04/13 CHKD: SSOUSEK 2016/04/13 APPR: FSMITH 2016/04/18	QUALITY SYMBOLS 	GENERAL TOLERANCES (UNLESS SPECIFIED)		DIMENSION STYLE IN/MM	SCALE ---	DESIGN UNITS METRIC	THIRD ANGLE PROJECTION
		4 PLACES ± --- ± ---	DRAWN BY GAVERRILL	DATE 2008/07/02	TITLE MICRO-FIT (3.0) BMI FLOATING PANEL RECEPTACLE, HALOGEN-FREE		
		3 PLACES ± --- ± .010	CHECKED BY SSOUSEK	DATE 2008/07/09			
		2 PLACES ± 0.25 ± .014	APPROVED BY FSMITH	DATE 2016/04/18	MATERIAL NO. SEE CHART	DOCUMENT NO. SD-44133-003	SHEET NO. 2 OF 2
1 PLACE ± 0.35 ± ---	ANGULAR ±1/2°		DRAFT WHERE APPLICABLE MUST REMAIN WITHIN DIMENSIONS		SIZE THIS DRAWING CONTAINS INFORMATION THAT IS PROPRIETARY TO MOLEX INCORPORATED AND SHOULD NOT BE USED WITHOUT WRITTEN PERMISSION		
0 PLACE ± --- ± ---	REV B4						