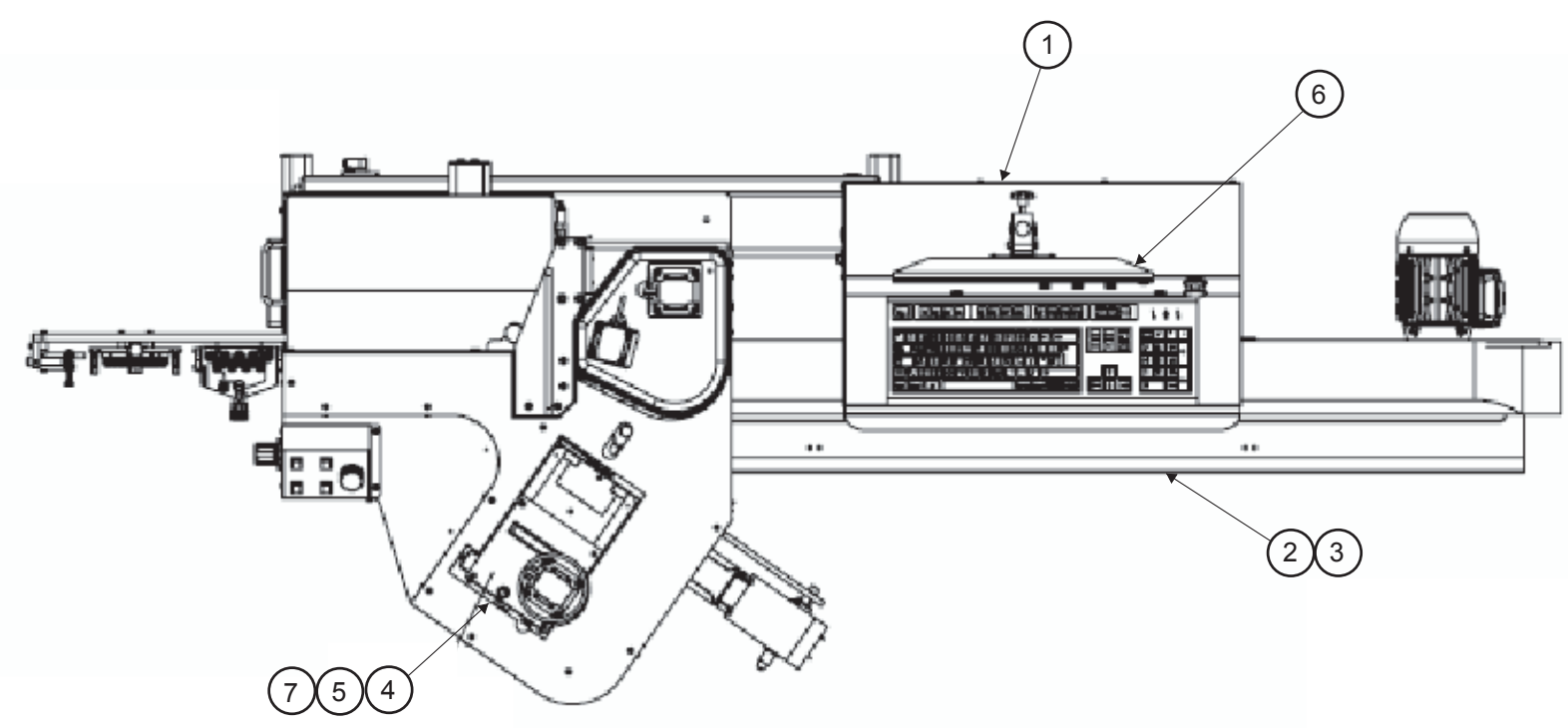


THIS DRAWING IS UNPUBLISHED. RELEASED FOR PUBLICATION 20
 © COPYRIGHT 20 BY - ALL RIGHTS RESERVED.

P	LTR	DESCRIPTION	DATE	DWN	APVD
	A	RELEASED	01SEP2015	BW	MO
	C	ECR-15-014027	28SEP2015	BW	MO
	C1	ECR-15-016385	10NOV2015	BW	MO

PART NUMBER	REV	FIRST USED	COLLECTOR OPTION	CHOPPER OPTION	CFM OPTION	HD PRESS OPTION
2280800-1	C	-	1.5m PASSIVE	NO	NO	NO
2280800-2	C	-	1.5m PASSIVE	YES	YES	NO
2280800-3	C	-	1.5m MOTORIZED	YES	YES	YES
2280800-4	C	-	1.5m MOTORIZED	YES	YES	NO



1	1	1	1	-	2280891-1	DOCUMENTATION PACKAGE	8
-	1	-	-	-	2280871-1	TU-15 TERMINATING UNIT - HEAVY DUTY	7
1	1	1	-	-	2280860-8	OES CFM 2100 OPTION	6
1	1	1	-	-	2280801-5	MANUAL BASE W/ CHOPPER	5
-	-	-	1	-	2280801-4	MANUAL BASE W/O CHOPPER	4
1	1	-	-	-	2280801-3	1.5m MOTORIZED COLLECTOR	3
-	-	1	1	-	2280801-2	1.5m PASSIVE COLLECTOR	2
1	1	1	1	-	2280801-1	BASE MACHINE	1
-4	-3	-2	-1	U/M	PART NO	DESCRIPTION	ITEM NO

THIS DRAWING IS A CONTROLLED DOCUMENT.

DIMENSIONS: mm	TOLERANCES UNLESS OTHERWISE SPECIFIED:
	0 PLC ±-
	1 PLC ±-
	2 PLC ±-
	3 PLC ±-
	4 PLC ±-
	ANGLES ±-
MATERIAL	FINISH
-	-
-	-

DWN	B. WEAVER	21APR2015
CHK	M. ONDO	21APR2015
APVD	M. ONDO	21APR2015
PRODUCT SPEC	-	
APPLICATION SPEC	-	
WEIGHT	-	
Customer Drawing		

TE TE Connectivity			
NAME CONFIGURED MACHINE ASSEMBLY, SINGLE END LEADMAKER			
SIZE	CAGE CODE	DRAWING NO	RESTRICTED TO
A3	-	C-2280800	-
SCALE		SHEET	REV
N/A		1 OF 1	C1